

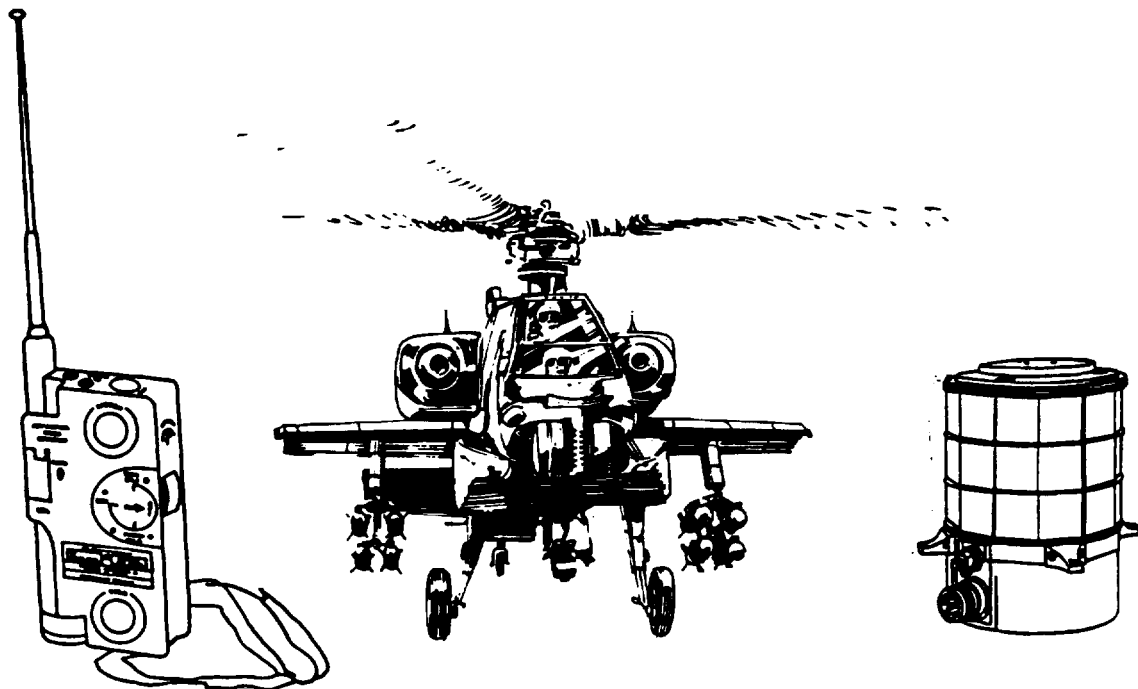
---

TECHNICAL BULLETIN

AVIATION

ELECTRONICS CONFIGURATION

DIRECTORY



Technical Bulletin

No. 43-0123

HEADQUARTERS  
DEPARTMENT OF THE ARMY  
Washington, DC, 1 December 1995**AVIATION ELECTRONICS CONFIGURATION DIRECTORY**

	Paragraph	Page
SECTION I.	INTRODUCTION	
	Purpose .....	1 I-1
	Scope .....	2 I-1
	General.....	3 I-1
	TMDE Modernization Program.....	4 I-1
	Explanation of Terms .....	5 I-1
	References.....	6 I-1
	Reporting of Errors .....	7 I-1
SECTION II.	AVIONICS SYSTEMS, SUBSYSTEMS AND EQUIPMENT .....	
	Communications Equipment .....	II-A-1
	Navigation Equipment.....	II-B-1
	Identification Equipment.....	II-C-1
	Flight Controls Equipment.....	II-D-1
	Control Display Equipment.....	II-E-1
	Aircraft Survivability Equipment .....	II-F-1
	Target Acquisition Equipment/Weapons.....	II-G-1
	Systems Integration Equipment, Command & Control Telemeter .....	II-H-1
	Tactical Air Traffic Control.....	II-I-1
	Converters.....	II-J-1
SECTION III.	TYPICAL AVIONICS CONFIGURATION OF ARMY AIRCRAFT .....	
APPENDIX A.	AVIONICS SYSTEMS AND SUBSYSTEMS MANAGEMENT DATA .....	A-1
B.	TOOL AND TEST EQUIPMENT MANAGEMENT DATA .....	B-1
C.	NSN TO TYPE NUMBER CROSS REFERENCE.....	C-1
D.	AIRCRAFT AVIONICS INSTALLATION CROSS REFERENCE .....	D-1
E.	EQUIPMENT INDICATOR LETTERS.....	E-1
F.	TEST MEASURING DIAGNOSTIC EQUIPMENT (TMDE).....	F-1
	REPLACEMENT GUIDE	
G.	ALPHABETICAL INDEX OF CONTENTS.....	G-1

---

This bulletin supersedes TB 43-0123 dated 22 October 1981 including all changes.

**SECTION I**  
**INTRODUCTION**

## Section I. INTRODUCTION

**1. Purpose.** This bulletin is published to clarify the requirements for logistics support of avionics systems, subsystems and/or equipments installed in, or in operational support of, Army aircraft and to assist in the planning of such support. It also provides guidance to field unit and major command personnel in the form of Army aircraft configuration data.

**2. Scope.** This bulletin is a formal compilation of pertinent avionics materiel data to provide, so far as possible and practical, a single source handbook of avionics information in ready reference form.

### 3. General.

*a Section I.* This is the introduction.

*b. Section II.* At This section is divided into functional groups and lists, by type number in alphanumeric sequence, major avionics items (together with ground related systems) with pertinent data paragraphed as follows: (1) Brief description including purpose, operational parameters, power requirements and such other data as may be appropriate, including a listing of major components; (2) Applicable tools and test equipment-including those items both specialized and common which are required at the various echelons of maintenance (excluding depot) to support the avionics systems; and, (3) Applicable publication-including pertinent technical manuals, supply bulletins, etc., applicable to the avionics system. For a specific listing of current publications, the latest edition of DA PAM 25-30 should be consulted.

*c. Section III.* This section contain Army aircraft by type and model number in alphanumeric sequence, listing the avionics configuration as typically installed. Some of the configurations shown pertain to aircraft or retrofit programs which were still in development at the time of this printing. Therefore, these configurations are subject to change.

*d Appendix A.* This appendix is a list of avionics systems, subsystems, equipments and major components by type number or manufacturers number in alphanumeric sequence. Included in the listing is type number, nomenclature, National Stock Number (NSN), line item number (LIN), source of supply (routing identifier code) (SOS), and component to end item cross reference.

*e. Appendix B.* This appendix is a list of tools and test equipment required to support avionics systems by type number or manufacturer's number in alphanumeric sequence. Included in the listing is nomenclature. NSN, LIN, SOS, applicable publications, end item supported and commercial equivalent.

*f. Appendix C.* This appendix lists all the items contained in Appendixes A and B in National Item Identification Number sequence cross referenced to the corresponding type number or nomenclature. This

appendix aids in the identification of avionics items and/or avionics tools and test equipment when only the NSN is known.

*g. Appendix D.* This appendix is a cross reference of avionics components to the aircraft in which they are or could be installed.

*h. Appendix E* This appendix contains tables of Equipment Indicator Letters used when assigning nomenclature to avionics equipment under the Joint Electronics Type Designation System (JETDS).

*i. Appendix F* This appendix contains a list of replaced (old) and replacement (new) Test, Measurement and Diagnostic Equipment (TMDE) introduced into the Army inventory by the Test Equipment Modernization Program (CEMOD), DOD Item Reduction Studies (IRS) and Item Process Reviews (IPR). TMDE listed in this appendix is in AN type designator sequence followed by manufacturers part number

*j. Appendix G.* Alphabetical index of contents

**4. TMDE Modernization Program.** The TEMOD Program was initiated by DA to improve materiel readiness, reduce TMDE proliferation and obsolescence, and reduce TMDE costs. These objectives are being accomplished by acquiring off-the-shelf electronic test equipment to replace the existing Army inventory of general purpose TMDE.

### 5. Explanation of Terms.

*a. Maintenance Category.* Abbreviations used for various echelons or maintenance are as follows:

AVUM-Aviation Unit Maintenance

O-Organizational

AVIM-Aviation Intermediate Maintenance

F-Direct Support, or

H-General Support

D-Depot

### 6. References.

a. AR 725-50. Requisitioning, Receipt and Issue System.

b. AR 750-1. Army Materiel Maintenance Policy and Retail Maintenance Operations.

c. DA PAM 25-30. Consolidated Index of Army Publications.

d. SB 710-1-1. Standard Study Number System and Replacement Factors.

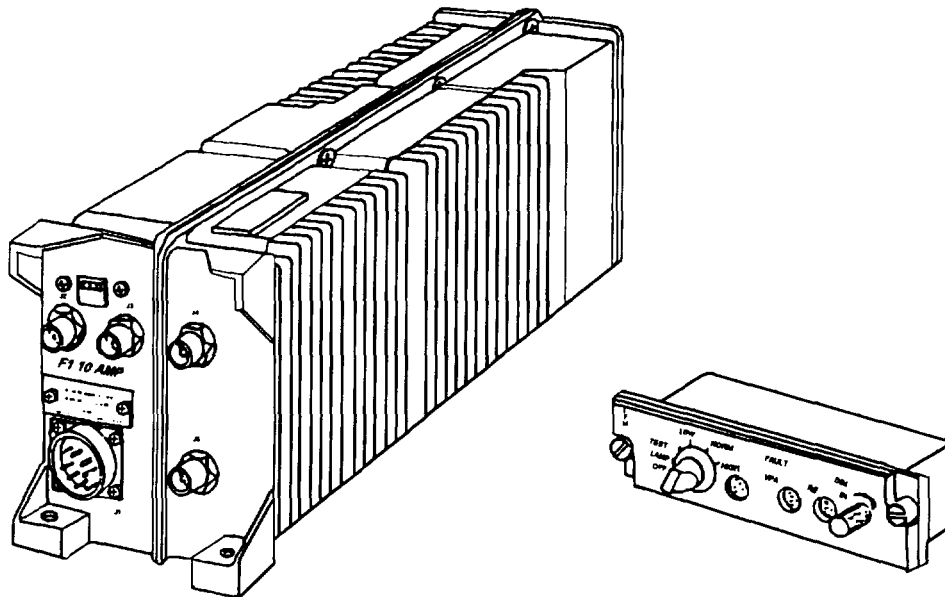
e. TB 43-180. Calibration and Repair Requirements for the Maintenance of Army Materiel.

**7. Reporting of Errors.** The reporting of errors and recommendations for improving this publication is encouraged. Reports should be submitted on DA Form 2028 (Recommended Changes to Publications) in the back of this publication and forwarded directly to US Army CECOM, ATTN: AMSEL-LC-LM-AA, Fort Monmouth, NJ 07703-5003.

**SECTION II**

**AVIONICS SYSTEMS,  
SUBSYSTEMS  
AND EQUIPMENT**

## **COMMUNICATIONS EQUIPMENT**



AM-7189A/ARC NOE VHF-FM Amplifier

**1. Brief Description:** The Nap-of-the-Earth (NOE) Improved Communication, VHF-FM Amplifier subsystem, AM-7189A/RC, is a power amplifying accessory to be used with VHF-FM radios that are designed to operate in the central baffle area from helicopters flying NOE flight envelopes. The AM-7189/ARC amplifies signals from a standard VHF-FM radio (AN/ARC-114, AN/ARC-54, ANARC-186, AN/ARC-201) in a frequency range from 30 MHz to 88 MHz to an effective radiating power of 5 watts (low), 15 watts (normal) or 50 watts (high). When the NOE-IFM subsystem is turned off, a bypass mode is initiated which allows the VHF-FM radio to function normally. The following components comprise the NOE-IFM system when used in conjunction with one of the above radios:

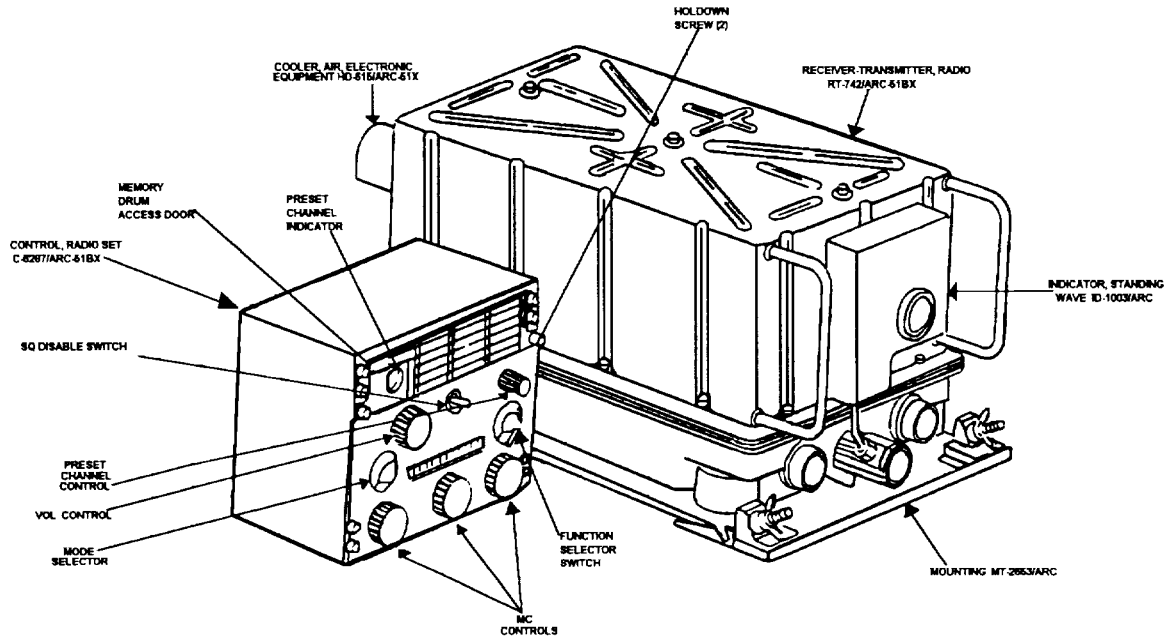
where the AM-7189A/ARC is used in conjunction with ANARC-201 SINGARS Radio, use of this control is optional).

**2. Applicable Tools and Test Equipment:** See Appendix B for nomenclature, NSN, etc.:

Type No.	AVUM	AVIM
ANURM-120A		X
AN/USM-486		X
DA-553/U		X
MK-994A/AR		X
PP-7547/U		X
TK- 100/G		X
TK-101/G		X

**3. Applicable Publications:**  
 TM 11-5821-331-13

- AM-7189AARC..... Variable Power Amplifier
- AT-( )..... Antenna (May vary with each aircraft system)
- C-1188ARC..... Control (Not used if aircraft has a MIL-STD 1553B Control System, also in aircraft



AN/ARC-51BX Radio Set

**1. Brief Description:** Radio Set AN/ARC-51BX is an airborne radio set which provides AM voice communications within the UHF band. The AN/ARC-51BX has 3500 available channels, plus a fixed guard channel, operating within the frequency range of 225.0 to 399.95 MHz. Channel spacing is 50 kHz. Power output is 16 watts minimum on all channels. Input power requirements is 27.5 volts DC a 12.25 amps. RT-742/ARC-51BX differs from the RT-742B/ARC-51BX and RT-742C/ARC-51BX in that it has no secure mode of operation. The AN/ARC-51BX consists of the following components:

- C-6287/ARC-51BX.....Control
- HD-615/ARC-51X .....Electronic Equipment Air Cooler
- ID-1003/ARC .....Standing Wave Ratio Indicator
- MT-2653/ARC .....Mount
- RT-742/ARC-51BX ....Receiver-Transmitter
- or
- RT-742C/ARC-51 BX.Receiver-Transmitter

The following component is used with but not issued as par of the AN/ARC-51X or AN/ARC-51 BX:

- AT- 108/ARC .....Antenna

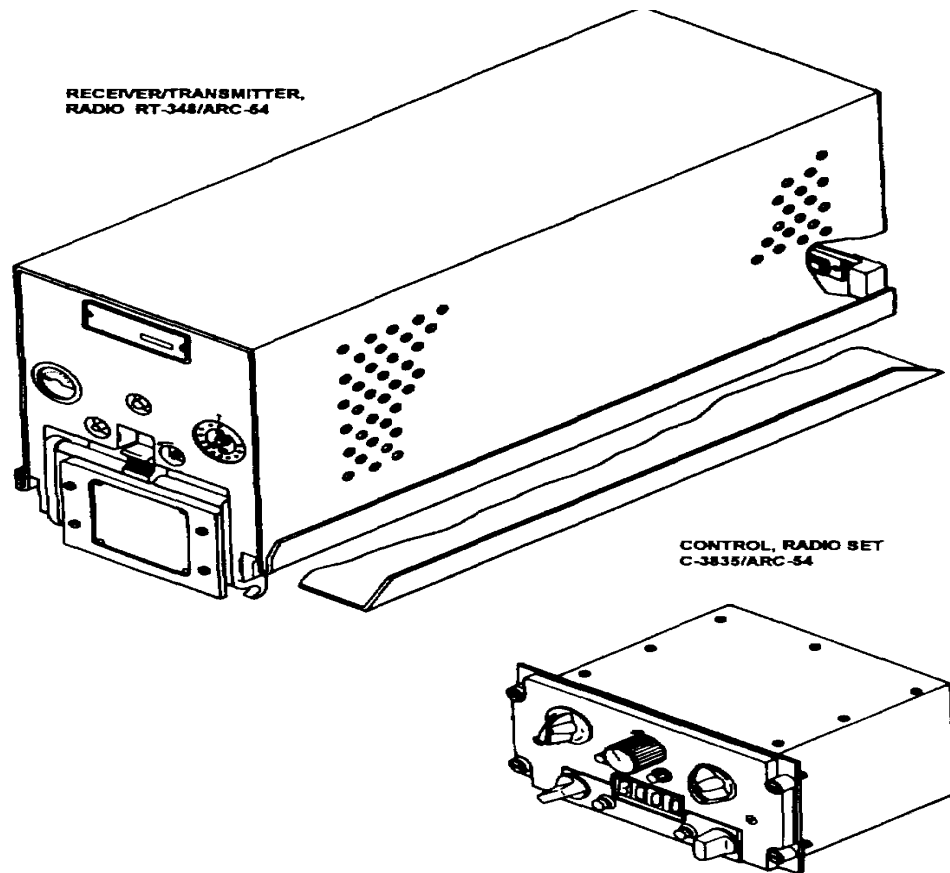
**2. Applicable Tools and Test Equipment:**  
 See appendix B for nomenclature, NSN, etc.

Type No.	AVUM	AVIM
ANIRM-25D		X
ANURM-105C	X	
ANARM-120		X
ANURM-127		X
ANtSM44B		X
ANASM-207A		X
ANUSM-223		X
ANIUSM-281A		X
DA-75		X
ME-26DU		X
MK-731ARC-51X		X
TK-100WG		X
TK-101/G	X	
TK-105/G		X
TS-585C&		X
TS-723DU		X
TS-1836B&		X
TV-7DR		X

**3. Applicable Publications:**

- TM 11-5820-518-20
- TM 11-5820-518-20P
- TM 11-5820-518-35
- TM 11-5820-518-34P





AN/ARC-54 Radio Set

**1. Brief Description:** Radio Set AN/ARC-54 provides two-way voice communication between aircraft in flight and between aircraft and ground stations. The radio set is a double-conversion, superheterodyne, frequency modulated receiver-transmitter with 800 crystal-controlled channels in the frequency range of 30.0 to 69.95 MHz. Channel separation is 50 kHz. This equipment is so designed as to provide homing, selective calling, and data transmission facilities. The set can also be used in conjunction with the auxiliary equipment to provide secure voice (mode X) operation. The input power requirement is 27.5 volts DC at 7 amps during transmit and 3.4 amps for receive. Major components of this set are as follows:

- C-3835/ARC-54..... Control
- MT-1535/ARC-54..... Mount
- RT-348/ARC-54 ..... Receive-Transmitter
- 516-2776-001..... Connector Kit

The ANARC-54 is used with a variety of other components such as communication/homing antennas, couplers, indicators, etc. to operate as a complete system. Refer to applicable aircraft configuration sheets for details.

**2. Applicable Tools and Test Equipment:**  
 See appendix B for nomenclature, NSN, etc.

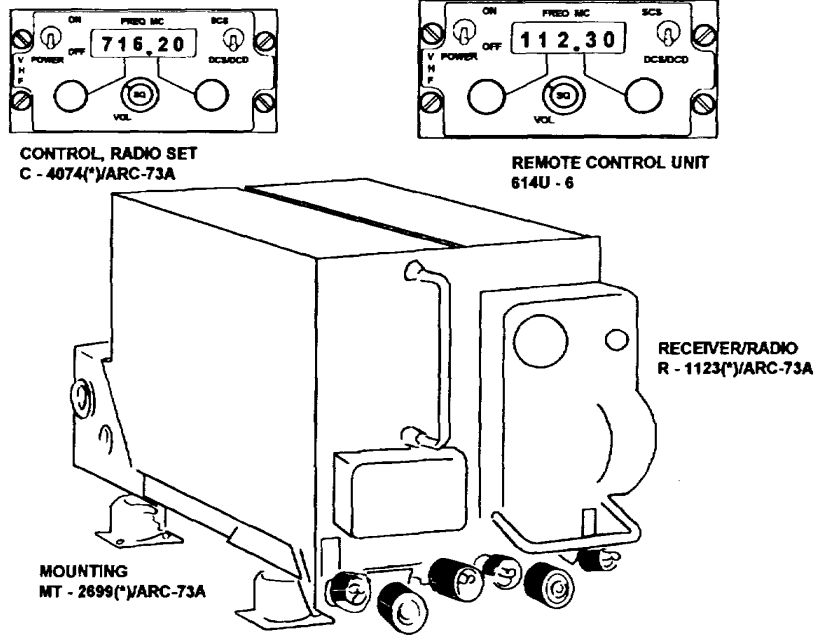
Type No.	AVUM	AVIM
ANIARM-87		X
ANIRM-25D		X
AN/URM-103		X
AN/URM-105C	X	
AN/URM0 27		X
ANURM-145		X
ANUSM-44B		X
AN/USM-159		X

**NOTE**

Type No.	AVUM	AVIM
AN/USM-207A		X
AN/USM-223		X
ANIUSM-231		X
AN/USM-281A		X
CN-970/U		X
CN/1128U		X
DA-75/U		X
ME-26D/U		X
ME-30U		X
ME-57/U		X
MK-733/ARC-54		X
TK-100/G		X
TK-101/G	X	
TK- 10/G		X
TS-723D/U		X
TS-1836BA		X
TV-7DU		X

3. Applicable Publications:

- TM 11-5821-244-12
- TM 11-5821-244-20P
- TM 11-5821-244-34
- TM 11-5821-244-34P



AN/ARC-73 Radio Set

**1. Brief Description:** The AN/ARC-73A is an amplitude-modulated, very high-frequency, two-way aircraft radio set used for air-to-air and air-to-ground communications. The AN/ARC-73A will transmit on any frequency within the frequency range of 116.0 to 149.95 MHz and receive within the frequency range of 116.0 to 151.95 MHz. Channel separation is 50 kHz. The input power requirement is 27.5 volts DC at 8 amps when transmitting and 2 amps during receive conditions. Major components of the AN/ARC-73A are as follows:

Type No	AVUM	AVIM
AN/SM-223		X
ANUSM-281A		X
CN-608/U		X
DA-75/		X
ME-26D/U		X
ME-30A/J		X
TK-100/G		X
TK-101/G	X	
TK-05/G		X
TS-585C/U		X
TS-723D/U		X
TS-1 836B5		X
TV-7Di		X

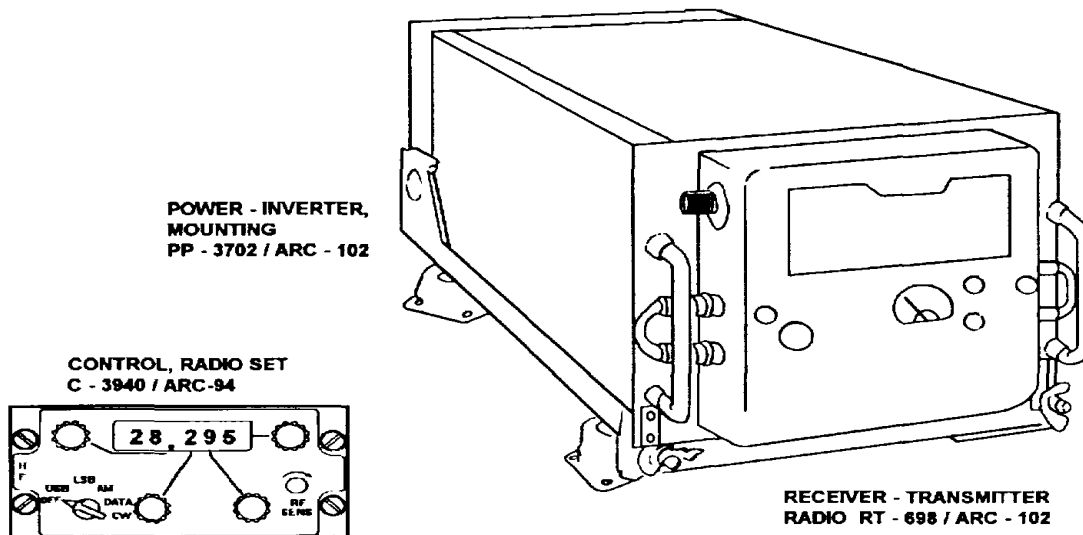
- C-4074/ARC-73A ..... Control
- MT-2699/ARC-73 ..... Mount
- R-1123/ARC-73..... Receiver
- T-879/ARC-73..... Transmitter

**2. Applicable Tools and Test Equipment:**  
 See appendix B for nomenclature, NSN, etc.

**3. Applicable Publications:**

Type No.	AVUM	AVIM
ANARM-45		X
AN/URM-25D		X
AN/URM-120	X	
ANURM-127		X
ANSM-44B		X
AN/USM-207A		X

- TM 11-5821-217-12
- TM 11-5821-217-20P
- TM 11-5821-217-34
- TM 11-5821-217-34P
- TM 11-5821-217-50



AN/ARC - 102 Radio Set

**1. Brief Description:** The ANARC-102 is an airborne radio capable of receiving and transmitting AM, USB, LSB, CW, and data within the frequency range of 2.000 to 29.999 MHz on any of 28,000 channels. The RF power output on SSB is 400 watts PEP; AM is 100 watts average; CW is 100 watts average. The input power requirement is 27.5 volts DC at 35 amps.

Major components of this set are as follows:

- C-3940/ARC-94 ..... Control
- MT-2641ARC-94..... Mount (used in lieu of the PP-3702 in CH-47 aircraft only)
- PP-3702/ARC-102 ..... Power-Inverter Mounting
- RT-698/ARC-102 ..... Receiver-Transmitter

**NOTE**

The AN/ARC-102 is used with other components, such as couplers and antennas, to operate as a complete system. Refer to applicable aircraft configuration sheets for details.

**2. Applicable Tools and Test Equipment:**

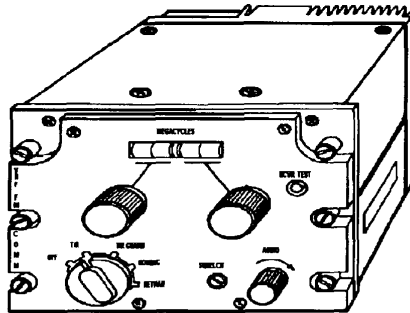
See appendix B for nomenclature, NSN, etc.

Type No	AVUM	AVIM
AN/UPM-84A		X
AN/URM-25D		X
AN/URM-105C	X	

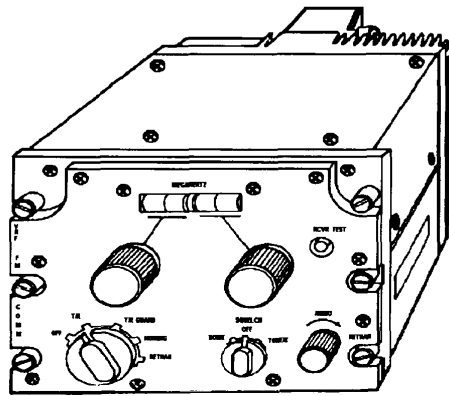
Type No.	AVUM	AVIM
ANURM-120		X
ANRM-127		X
AN/ URM-145		X
AN/URM-157		X
AN/USM-98A		X
AN/USM-207A		X
ANUSM-223		X
AN/USM-281A		X
DA-75/U		X
DA-340/URC		X
ME-26D/U		X
ME-30NU		X
MK-722/URC		X
MX33411U		X
R-1122/GR		X
TK-100/G		X
T-101/G	X	
TK-105/G		X
TS-723D/U		X
TS-1836B/		X
TV-7D/U		X

**3. Applicable Publications:**

- TM 11-5821-248-12
- TM 11-5821-248-20P
- TM 11-5821-248-34P
- TM 11-5821-248-35
- TM 11-5820-836-24P



RADIO SET AN/ARC - 114



RADIO SET AN/ARC - 114A()

1. Brief Description: Radio Set ANARC-114() is an airborne, very high frequency (VHF), frequency modulated (FM), radio receiving-transmitting set that is compatible with the ANNRC-12 series of ground tactical radio sets. The radio set contains a multichannel, electronically tunable main receiver and transmitter, a fixed-tuned guard receiver, and has a homing capability. The main receiver and transmitter operate on any one of 920 channels, spaced in 50 kHz increments in the 30.00 to 75.95 MHz frequency range. The guard receiver is fixed tuned in the 40.0 to 41.0 MHz frequency range. The radio set, when operated with external equipments, can be used receiving and transmitting clear voice of X-mode communications. Transmitter frequency deviation is +/-8.0 kHz; power output is 10 watts

minimum; power input is 28 volts DC at .6 amp during receive and 3 amps during transmit conditions. The AN/ARC-114A is a product improved version of the ANIARC-114 that provides squelch switching, front panel water sealing, audio limiting and guard receive capability while receiving secure voice.

**NOTE**

The AN/ARC-114( ) is used with a variety of other components such as a communication/homing antennas, couplers, indicators, etc. to operate as a complete system. Refer to applicable aircraft configuration sheets for details.

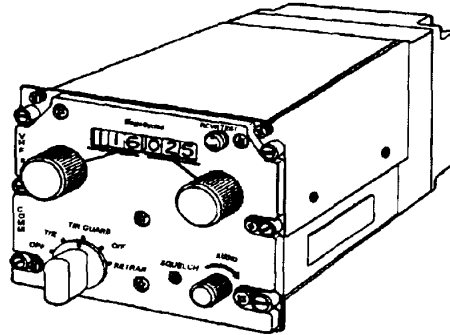
**2. Applicable Tools and Test Equipment:**

<i>TYPE NO</i>	<i>AVUM</i>	<i>AVIM</i>	<i>Type No</i>	<i>AVUM</i>	<i>AVIM</i>
ANURM-105C	X		H-157( )/AIC		X
ANRM-25D		X	ME-30A/U		X
ANURM-103		X	ME-57/U		X
ANURM-120		X	MK-994/AR		X
ANRM-127		X	MK-1191/AR		X
ANNRM-145		X	MK-1192/AR		X
ANSM-44B		X	TK-100/G		X
AN/USM98A		X	TK-101/G	X	
AN/USM-207A		X	TK-100/G		X
AN/USM-223		X	T105/G		X
ANUSM-281A		X	TS-723D/U		X
CN-796/U		X			

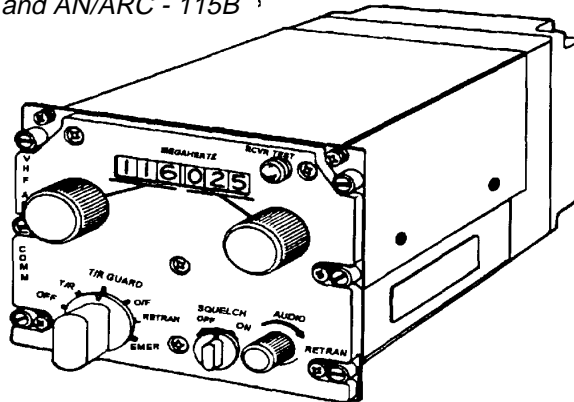
**3. Applicable Publications:**

- TM 11-5821-259-12
- TM 11-5821-259-30
- TM 11-5821-259-24P

TB 43-0123  
 AN/ARC-1 15  
 5821-00-935-5072  
 JTL  
 AN/ARC-115A(V)1  
 5821-01-057-4037  
 JCL  
 AN/ARC-115B  
 5821-01-327-8839  
 EIC: N/A  
 AN/ARC-115C  
 5821-01-327-5288  
 EIC: N/A



Radio Sets AN/ARC - and AN/ARC - 115B



AN/ARC-115A(V)1 and 115C Radio Set

**1. Brief Description:** Radio Set AN/ARC-115 is an airborne, very high frequency (VHF) amplitude modulated (AM), radio receiving-transmitting set which contains a multichannel electronically tuned main receiver and transmitter, a fixed-tuned guard receiver and has a direction finding capability when used with external equipment. The main receiver and transmitter operate on any one of the 1360 channels, spaced in 25 kHz increments in the 116.000 to 149.975 MHz frequency range. The guard receiver is fixed tuned in the 119.0 to 124.0 MHz frequency range. The radio set, when operated with external equipment, can be used for receiving and transmitting clear voice communications. Power output of the AN/ARC-115 is 10 watts minimum. The input power requirement during receive condition is

28 volts DC at .6 amps and 3.0 amps during transmit. The AN/ARC-115A is a product-improved version of the AN/ARC-115 that provides secure voice operation and an emergency frequency transmit selector switch.

**2. Applicable Tools and Test Equipment:**  
 See appendix B for nomenclature, NSN, etc.

Type No.	AVUM	AVIM
AN/URM 05C	X	
AN/URM-120		X
AN/URM-127		X
AN/URM-145		X
ANUSM-44B		X

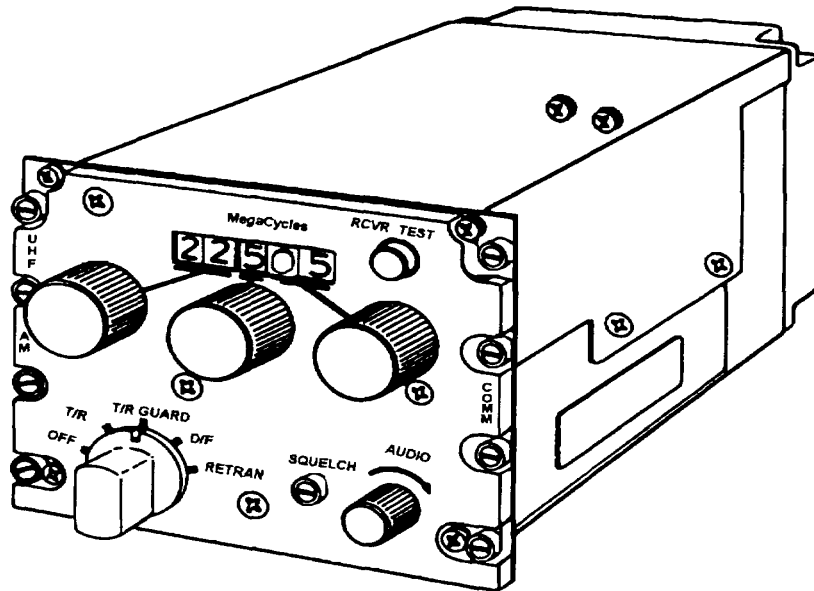
TB 43-0123  
 AN/ARC-115  
 5821-00-935-5072  
 JTL  
 AN/ARC-115A  
 5821-01-057-4037  
 EIC: NIA  
 AN/ARC-11 5A(V)1  
 NSN: N/A  
 JCL

Type No.	AVUM	AVIM
AN- SM-8A		X
ANIUSM-207A		X
ANUNSM-223		X
ANISM-281A		X
CM-771/USM		X
CN-318/G		X
CN-796/		X
DA-75/U		X
DT-307/G		X
H-157( )/AIC		X
ME-26D/U		X
ME-30AU		X
MK-994/AR		X
MK-1191/AR		X
MK-1 192/AR	X	
TK- 100/G		X
TK-101/G	X	
TIK- 105/G		X
TS-421NAU		X
TS-723D[U		X

**3. Applicable Publications:**

TM 11-5821-260-12 Pertains to ANARC-115  
 TM 11-5821-260-20 Pertains to ANARC-115  
 TM 11-5821-260-20P-1 Pertains to AN/ARC-115A  
 TM 1 1-5821-260-24P Pertains to ANARC-1 15  
 TM 11-5821-260-34-1 Pertains to ANARC-1 15A  
 TM 11-5821-260-34P-1 Pertains to AN/ARC-115A  
 TM 11-5821-260-35 Pertains to ANoARC-115  
 TM 11-5821-260-30-2 Pertains to AN/ARC-115A





AN/ARC-116 Radio Set

**1. Brief Description:** Radio Set ANARC-116 b an airborne ultrahigh frequency (UHF), amplitude modulated (AM), radio receiving-transmitting set which contains a multichannel, electrical tunable, main receiver and transmitter, a fixed tuned guard receiver and when used with external equipment provides a direction finding capability. the main receiver and transmitter operate on any one of 3500 channels, spaced on 50 kHz increments in the 225.00 to 399.95 MHz frequency range. When operated with other equipment's a capability r receiving and transmitting clear voice or X-mode communications exists. Power output of the AN/ARC-116 is 10 wafts minimum. Input power requirement is 28 volts DC at .6 amp during receive condition and 28 volts DC at 3 amps when transmitting.

**2. Applicable Tools and Test Equipment:**

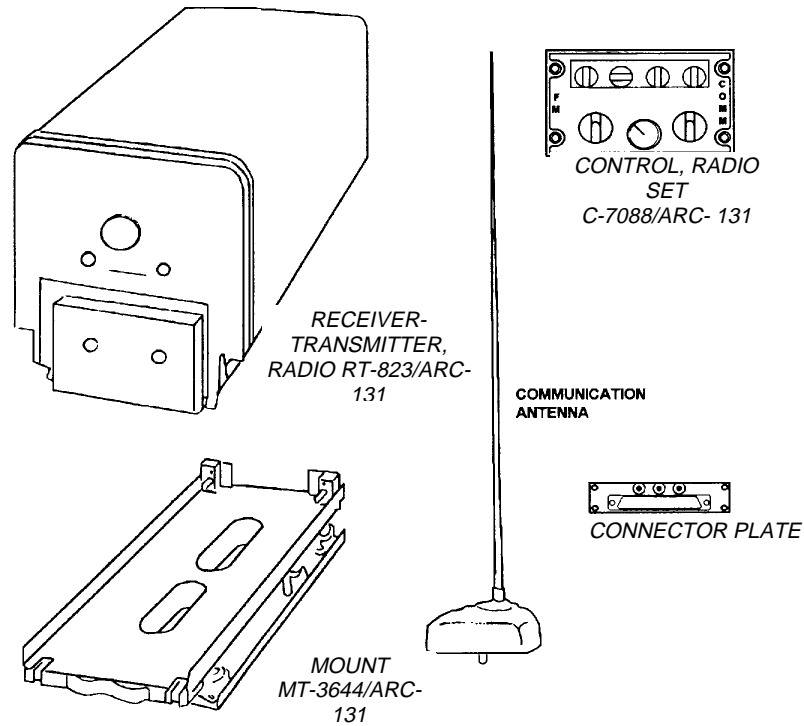
See appendix B for nomenclature, NSN, etc.

Type No.	AVUM	AVIM
ANJSM-207A		X
ANISM-223		X
AN/USM-281A		X
CM-77AUSM		X
CN-318/G		X
CN-796/		X
DA-75U		X
DT-307/U		X
H-157()/AIC		X
ME-26D/U		X
ME-30NU		X
MK-994/AR		X
MK-1191/AR		X
MK-1192/AR		X
TK-100/G		X
TK-101/G	X	
TK-105/G		X
TS421/U		X
TS-723/D/U		X

**3. Applicable Publications:**

- TM 11-5821-261-20P
- TM 11-5821-261-35P
- TM 11-821-261-12
- TM 11-5821-261-30

Type No.	AVUM	AVIM
AN/URM-105C	X	
AN/URM-5D		X
ANIURM-120		X
ANURM-127		X
ANURM-145		X
AN/USM-44B		X
AN/USM-98A		X
AN/USM-203C		X



AN/ARC-131 Radio Set

**1. Brief Description:** Radio Set AN/ARC-131 is a lightweight FM airborne radio set designed for use in aircraft for air to-air and air-to-ground communications, airborne retransmission and continuous wave homing. The AN/ARC131 is capable of transmitting and receiving on any one of 920 channels, spaced 50 kHz, within the frequency range of 30.00 to 75.95 MHz. Frequency deviation is 8 kHz narrow band; 20 kHz wide band. The power output of the AN/ARC131 is 10 watts minimum (high power; 1 watt nominal (low power). Input power requirement is 28 volts DC at 4 amps during transmit conditions and 28 volts DC at 1.0 amp when receiving. Major components of the AN/ARC-131 are as follows:

- C-7088/ARC..... Control
- MT-3664/ARC-131 ..... Mount
- 709229-801 (Magnavox).. Connector Kit
- RT-823/ARC-131 ..... Receive-Transmitter

**NOTE:**

The AN/ARC-131 is used with a variety of other components such as communication/homing antennas, coupler, indicators, etc. to operate as a complete

system. Refer to applicable aircraft configuration sheets for details.

**2. Applicable Tools and Test Equipment:**  
 See appendix B for nomenclature, NSN, etc.

Type No.	AVUM	AVIM
AN/URM-103		X
AN/URM-105C	X	
AN/URM-120		X
AN/URM-127		X
AN/URM-154		X
AN/USM-44B		X
AN/USM-207A		X
AN/USM-223		X
AN/SM-281A		X
AN/VRM-1		X
DA-75/U		X
HE-78E/AIC		X
ME-26D/U		X
ME-30A/U		X
ME-57/U		X
MK-1035/ARC-131		X

<i>Type No.</i>	<i>AVUM</i>	<i>AVIM</i>
TK-100/G		X
TK-101/G		X
TK-105/G	X	
TS-723D/U		X
TS-805D/U		X
TS-2609/U		X
Stopwatch, chronometer 651C3		X

**3. Applicable Publications:**

TM 11-5820-670-12  
TM 11-5820-670-23P  
TM 11-5820-670-30

**II-A-13**

TB 43-0123  
 AN/ARC-1 34  
 5821-00-937-1086  
 JFM  
 AN/ARC-134A  
 5821-00-879-1377  
 JA2  
 AN/ARC-134B  
 5821-00-181-0430  
 JAV

(Illustration Not Available)

*AN/ARC-134 () Radio Set*

**1. Brief Description:** Radio Set ANARC-134() is an airborne, very high frequency (VHF), amplitude modulated (AM), radio receiving-transmitting set which operates in the range of 116.0 through 149.975 MHz, utilizing 1360 channels spaced at 25 kHz intervals. Transmitter power output is 25 watts minimum, 40 watts normal. Input power requirement is 27.5 volts DC at 11 amperes maximum.

Type No.	AVUM	AVIM
MK-1004/ARC		X
TK-10G		X
TK-101/G	X	
TK-105/G		X
TS-585C/U		X
TS-1836B		X

The AN/ARC-134 consists of the following components:

- C-7197/ARC- 134..... Control
- MT-3791/ARC-134 ..... Mount
- RT-857/ARC-134 (unmodified) ..... Receiver-Transmitter

**3. Applicable Publications:**

- TM 11-5821-277-20
- TM 11-5821-277-20P
- TM 11-5821-277-34P
- TM 11-5821-277-35

The AN/ARC-134A consists of the following components:

- C-7197RC-134 ..... Control
- MT-3791A/ARC-134 ..... Mount
- RT-857/ARC-1 34 (unmodified) ..... Receiver-Transmitter

The ANARC-134B consists of the following components:

- C-7197/ARC- 134..... Control
- MT-3791BARC-134 ..... Mount
- or
- MT-379C/ARC-134 ..... Mount
- RT-857/ARC-134 (modified)  
 by MWO11-5821-277-50/1 ..... Receiver-Transmitter

**2. Applicable Tools and Test Equipment:**

See appendix B for nomenclature, NSN, etc.

Type No.	AVUM	AVIM
AN/GSM-64		X
AN/URM120		X
AN/USM-127		X
ANUSM-44B		X
ANNSM-203C		X
ANISM-207A		X
AN/SM-223		X
AN/USM-28A		X
CN-608/U		X
DA-75/U		X
H-216W		X
M-52AU		X
ME-26DU		X
ME-30AU		X

**(Illustration Not Available)**

*AN/ARC-149(V)1 Radio Repeater Set*

**1. Brief Description:** Radio Repeater Set ANARC149 is an airborne, frequency modulated (FM) radio repeater and radio relay for ground radio stations which are not within range of each other. This set has a capability of retransmitting up to 3 FM radio stations between compatible ground stations. The AN/ARC-149(V) also has the capability to retransmit either plain or secure voice radio transmission and to relay multiplex radio transmission from a ground Radio Terminal Set. See AN/ARC-131 and other components listed for illustrations. The number of components comprising an operable AN/ARC-149M1, AN/ARC-149M2, and AN/ARC-1493, are as follows:

V1	V2	V3		
1	1	1	C-1611( )/AIC.....	Intercommunication
<b>Set</b>				
1	1	1	C-8157/ARC.....	Control-Indicator
1	1	1	H-101A/U .....	Heads-Microphone
1	2	3	C-8379/U.....	Control Amplifier
2	4	6	C-7088/ARC-131 ....	Control
2	4	6	RT-823/ARC-131 ....	Receiver-Transmier
1	2	3	HYL3/TSEC .....	Digital Regenerative
<b>Rptr</b>				
1	2	3	U-383R.....	Power Supply Adapter
2	4	6	CU-942B/ARC.....	Antenna Coupler
1	2	3	CX-4721/VRC .....	Power Cable

Assembly				
1	2	3	MT-4190/ARC-149(V)	Electrical
<b>Equipment Rack</b>				
1	1	1	MT-4191/ARX-149(V)	Electrical
<b>Equipment Rack</b>				

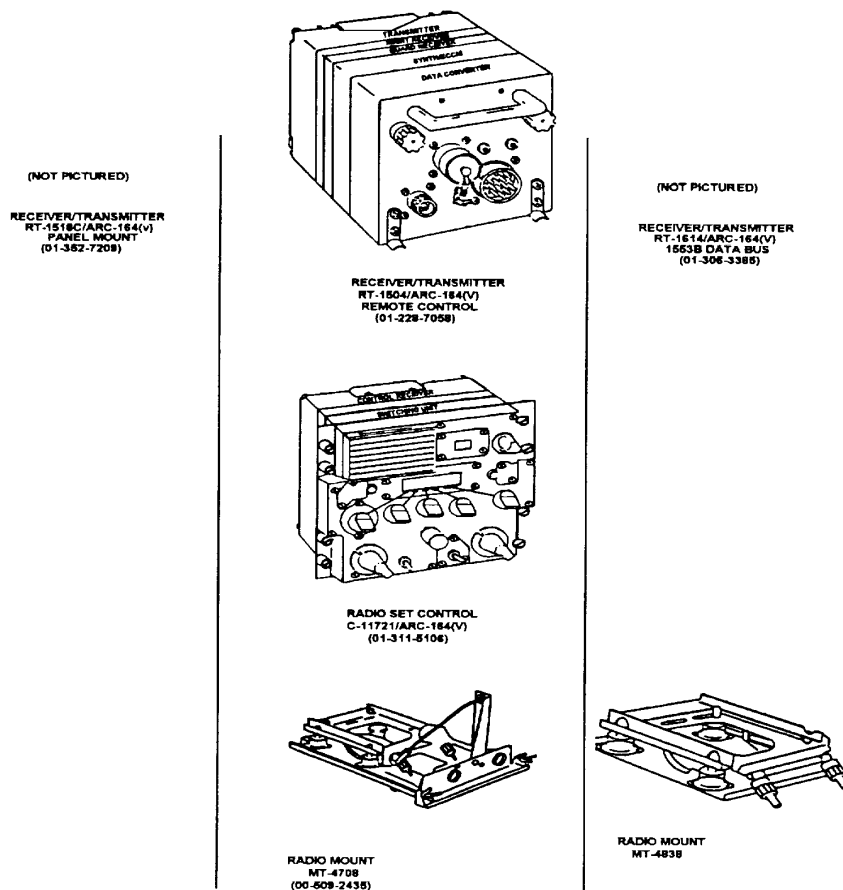
**2. Applicable Tools and Test Equipment:**  
 See appendix B for nomenclature, NSN, etc.

Type No.	AVUM	AVIM
AN/URM-105C	X	
AN/USM-223		X
TK100/G		X
TK-101/G	X	
TK-1 05/G		X

**3. Applicable Publications:**

Technical publications for the ANIARC-149 as a system are not available. Refer to applicable publications for each major component.

- TM 11-5831-201-20
- TM 11-5895-555-23P
- TM 11-5895-555-24
- TM 11-5831-201-24P
- TM 11-5831-201-35



*AN/ARC-164 Have Quick II ANVIS/FP UHF Radio Components*

**1. Brief Description:** AN/ARC-16 pertains to a family of airborne transceivers which provide UHF-AM voice communications, homing, retransmission, voice security, ADF, and guard receiver capabilities. They operate in the frequency range of 225.000 to 399.975 MHz on 7000 channels, 20 of which can be preset. Power input is 28 volts DC and power output is 10 watts minimum. The AN/ARC164 is a form, fit, and function (with enhanced functions) replacement for aging AN/ARC-51BX and ARC-116 radios. There is a CECOM program for replacement, but it has been deferred pending procedures for operation in frequency hopping mode. The ARC-164 versions were enhanced with frequency hopping capability (but they can operate in a single, selectable, frequency mode) under the Joint Services Program, HAVE QUICK (HQ). As the radio production line changed, aircraft in production (UH-60, AH-64, OH-58D and CH-47D) received the most current version, which included frequency hopping. Consequently, there is a mixture of radios in the field as follows:

	NON-HQ HQ-II	HQ-I	NON-HQ
HQ-I			
Panel Mount RT-1167C	RT-1167 RT-1518	RT-1167A	RT-1167B
Remote Mount. RT-1145C	RT-1145 RT-1518	RT-1145A	RT-1145B
MIL-STD 1533B:		RT-1145F	

**NOTE**

The RT-1145( )/ARC-164 and RT-1167( )/ARC-164 are airborne transceivers which provide UHF-AM voice communications, homing retransmission, voice security, ADF and guard receiver capabilities. They operate in the frequency range of 225.000 to 399.975 MHz on 7000 channels, 20 of which can be preset. Power input is 28 volts DC and power output is 10 watts minimum.

Configuration differences are:

RT-1 145C/ARC-164 ..... Remote Mounted Transceiver  
C-9533/ARC-164 ..... Panel Mounted Control for  
RT-1145  
MT4838/ARC-164 ..... Mount for RT-1145  
RT-1167()/ARC-164 ..... Panel Mounted Transceiver  
RT-1145F/ARC-164 ..... MIL-STD-1553 Bus Compatible

**3. Applicable Publications:**

TM 11-5841-286-13  
TM 11-5841-286-20P  
TM 11-5841-286-30P  
TM 11-5841-386-10-HR  
TM 11-1520-210-20P-2

**2. Applicable Tools and Test Equipment:**

Not Applicable.

**(Illustration Not Available)**

*AN/ARC-164(V)12 Radio Set*

**1. Brief Description:** The AN/ARC-164(V)12 is a UHF radio which may be programmed to operate in AM voice, external modem, FM data and FM voice modes. It is primarily used in the FM data mode to transmit and receive data in systems such as the AN/AKT-18B and AN/USQ-61A. R has 7000 channels (20 preset) spaced 25 Hz apart and operates in the frequency range of 225.000 to 399.975 MHz. Maximum power output is 100 watts. Major components are:

- C-10547/ARC-164(V).....Control
- MT-6017/ARC-164(V) .....Mount
- RT-1288/ARC-164(V)12 .....Receiver-Transmier

SYSTEM COMPONENTS (QNTY)	EQUIP	DESCRIPTION
RT-1504/ARC-164	Receiver-Transmier	
C-11721/ARC-1 64	Control(1)	
MT-4708/ARC-164	Mount (1)	
RT-1518/ARC-164	Receiver-Transmier	
RT-1145/ARC-164	Transceiver (HQ-)	
RT-1145/ARC-164	1553 Compat (HQ-I)	
RT-1 1670/ARC-164	Receiver-Transmitter	
RT-1 167B/ARC-164	Receiver-Transmitter	
RT-1167C/ARC-164	Receiver-Transmitter	
R-2136/ARC-164(V)12	Receiver	
R-21 36ARC-164(V)16	Receiver	
RT-1288A/ARC-64(V)16	Receiver-Transmier	
C-10047/ARC-164	Control (1)	
MT-6017/ARC-164(V)	Mount (1)	

**IMPORTANT NOTE**

The AN/ARC-164(V)12 is used by the Army only as a data link radio set and is considerably different from the RT1145/ARC-164 and RT-1167/ARC-164 which are used as standard UHF-AM radios in most Army aircraft. The RT1145/ARC-164 and RT-1167/ARC-164 are

described elsewhere in this publication.

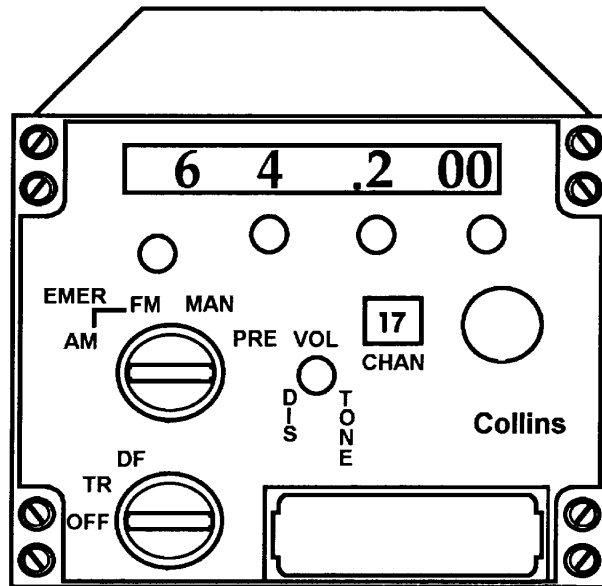
**2. Applicable Tools and Test Equipment:**  
 See Appendix B for nomenclature, NSN, etc.

Type No.	AVUM	AVIM
AN/GSM-64B		X
AN/URM-120		X
ANURM-127		X
ANANRM-145		X
ANURM-184A		X
AN/USM-223		X
AN/USM-281C		X
ME-57/U		X
OQ-273ARC-164()		X
PP-1104C/G		X
SG-1112(V)		X
TK-100/G		X
TK-101/G	X	

**3. Applicable Publications:**

- TM 11-5841-286-13
- TM 11-5841-286-20P
- TM 11-5841-286-30P
- TM 11-5841-286-10-HR
- TM 11-1520-210-20P-2





AN/ARC - 186 (V) Radio Set

**1. Brief Description:** The AN/ARC-186(V) pertains to a family of radio sets. The RT-1300()/ARC-186(V) and RT1354( )ARC-186 are airborne transceivers installed and reception capabilities in one unit. Frequency ranges are 30.000 to 87.975 MHz and 116.000 to 151.975 MHz AM in a total of 4080 channels, 20 of which may be preset. Other features include near instantaneous tuning to 40.5 MHz FM or 121.5 MHz emergency frequencies. The transceivers will operate in the FM Homing mode when used in conjunction with the CM-482/ARC-186. Power input requirement is 28 volts DC and power output is 10 watts minimum. Configuration differences are as follows:

- RT-1300B/ARX-186(V) ..... MIL STD-1553B Bus Compatible Transceiver
- RT-1354ARC-186(V) ..... Panel Mounted Transceiver

**NOTE:**

Refer to Section III of this publication for aircraft applicability.

**2. Applicable Tools and Test Equipment:**

See Appendix B r nomenclature, NSN, etc.

- C-10604M6/ARC-186(V) ..... Panel Mounted Remote Control
- C-10 606(V)6/ARC-1861 ..... Panel Mounted Remote Control
- MT-6048/ARC-186(V) ..... Mount for RT-1300A/ARC-186 when adapting to existing AN/ARC-54 31 wiring.
- MT-6050/ARC-186(V) ..... Mount for RT1300A/ARC-186 when adapting to existing AN/RC-134 wiring.
- MT-6051/ARC-186(V) ..... Mount for RT-1300 (A&)/ ARC-1 86(V).
- RT-1300A/ARC-186(V) ..... Remote Mounted Transceiver

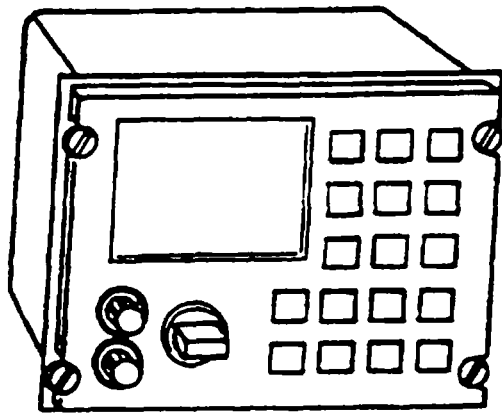
Type No.	AVUM	AVIM
AN/GRM-114A		X
AN/GSM-64C	X	
ANISM45	X	
ANRM-120A	X	X
ANuRM-127A		X
ANNRM145D		X
ANRM-184A		X
ANuSM488		X
DA-75A	X	X
H-158/AIC	X	X
J-4247/AR		X
ME-525USM		X
MK-994A/AR		X
MX-1730U (5920-00-636-0679)		X
PP-1 104C/G		X
SG-1112(V1)/G		X
TK-1000 G		X

Type No.	AVUM	AVIM
TK-101/G	X	
TK-105/G		X
NARDA 768-30 (5985-00-233-4626)		X
80ZH3 (5985-00-888-8714)	X	X
Static Work Station (6625-01-114-4481)		X

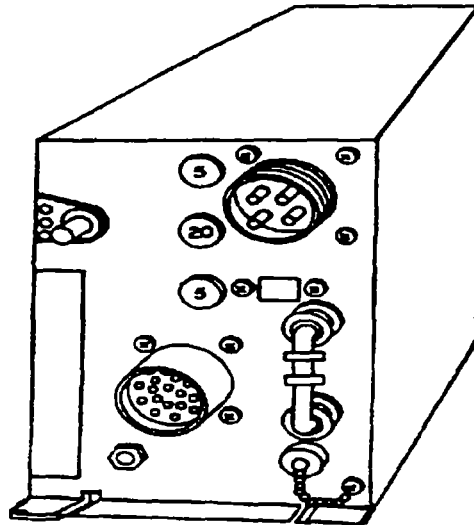
**3. Applicable Publications:**

TM 11-5821-318-12  
TM 11-5821-318-20P  
TM 11-5821-318-30P  
TM 11-1521-318-20P-1

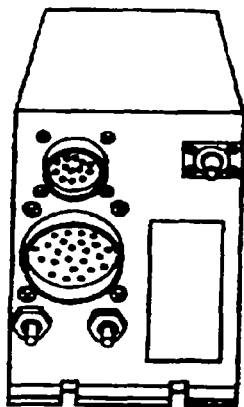
**II-A-20**



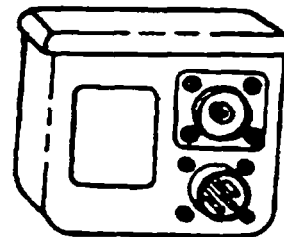
CONTROL DISPLAY  
 C-11245U



RECEIVER-TRANSMITTER  
 RT-1432/U



RF AMPLIFIER COUPLER  
 AM-7201/U



ANTENNA COUPLER  
 CU-2305/ARC-199

*AN/ARC-199 HF Radio Set Components*

1. Brief Description: The Nap-of-the-Earth (NOE) High Frequency-Single Side Band (HF-SSB) Radio Set, AN/ARC-199, will be used by Army aircraft to communicate while operating at NOE altitudes (air-to-air and air-to-ground). Frequency range of the AN/ARC-199 is 2-30 MHz in 100 Hz steps. RF output is selectable in 4, 40, 150 watts Peak Envelope Power (PEP). Power Input is 55 watts 27.5 VDC

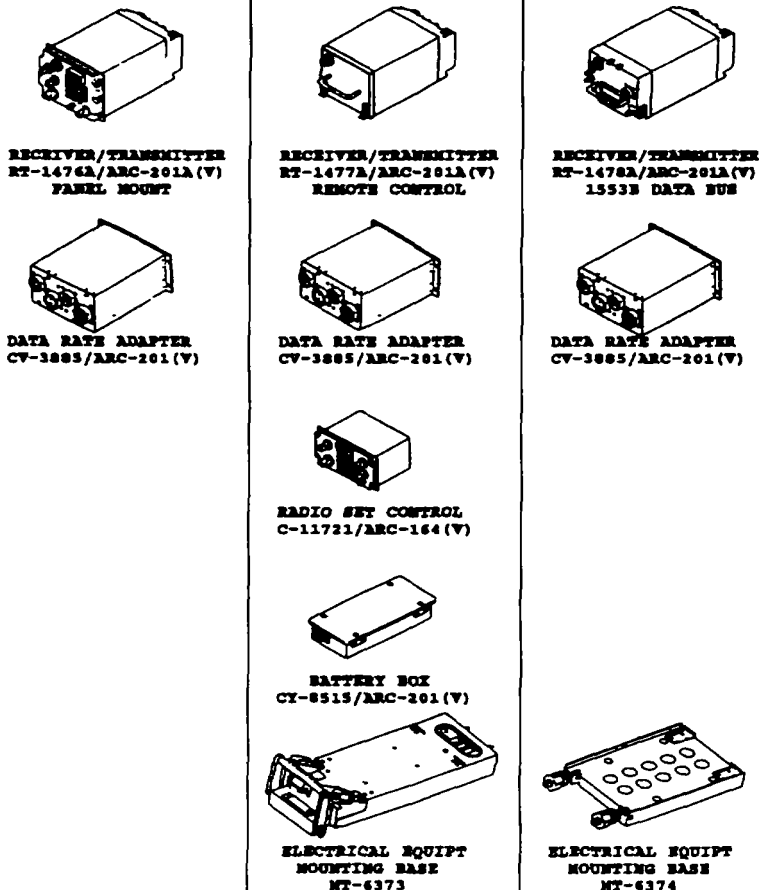
Major components are:

- AT-() ..... Antenna (vanes with aircraft type)
- AM-7201/U ..... Amplifier-Coupler, RF
- C-i 1245/U ..... Control (not required with aircraft  
 ..... having MIL-STD-1553B Data Bus)
- Cu-2305/ARC-199.. Coupler, Antenna
- RT-1432/U ..... Receiver-Transmitter

2. **Applicable Tools and Test Equipment:**  
 See Appendix B for nomenclature, NSN, etc.

Type No	AVUM	AVIM
AN/URM-209		X
TK-101/G	X	
TK-105/6	X	

3. **Applicable Publications:**  
 TM 11-5821-330-13&P



*AIWARC-201(V) Improved FM (IFM) SINGARS Radio System*

**1. Brief Description:** The AN/ARC-201 (V) radio sets are the airborne VHF-FM radios of Single Channel Ground and Airborne Radio System (SINGARS) They provide radio communications of voice and data, secure and plan text, in single channel (25 kHz) and the SINGARS ECCM mode of operation (frequency hopping) and are Intended to replace the equipment and functions now fulfilled by the AN/ARC-54/131, AN/ARC-114, and FM functions of the AN/ARC-186 These transceivers are compatible with the current COMSEC (VINSON) equipment and in non-ECCM mode of operation and Interoperable with existing FM radios These radios operate in the 88 MHz range and have discrete channels at 25 KHz spacing. They are compatible with the improved FM power amplifier, AM-7189/ARC, and provide amplitude homing capability The AN/ARC-201 consists of:

- |                     |                                  |
|---------------------|----------------------------------|
| MT-6373/ARC-201     | Adapter Tray, Mounting Base (1)  |
| RT-1477/ARC-201 (V) | Receiver-Transmitter             |
| C011466/ARC-201     | Control, Radio Set (1)           |
| CV-3885/ARC-201(V)  | Data Rate Adapter (1)            |
| MT-6373/ARC-201     | Adapter, Tray, Mounting Base (1) |
| MT-6374/ARC-201     | Mounting Base (1)                |
| RT-1 478/ARC-201(V) | Receiver-Transmitter             |
| C-11466/ARC-201     | Control, Radio Set (1)           |
| CV-3885/ARC-201(V)  | Data Rate Adapter (1)            |
| MT-6373/ARC-201     | Adapter Tray, Mounting Base (1)  |
| MT-6374/ARC-201     | Mounting Base, E (1)             |

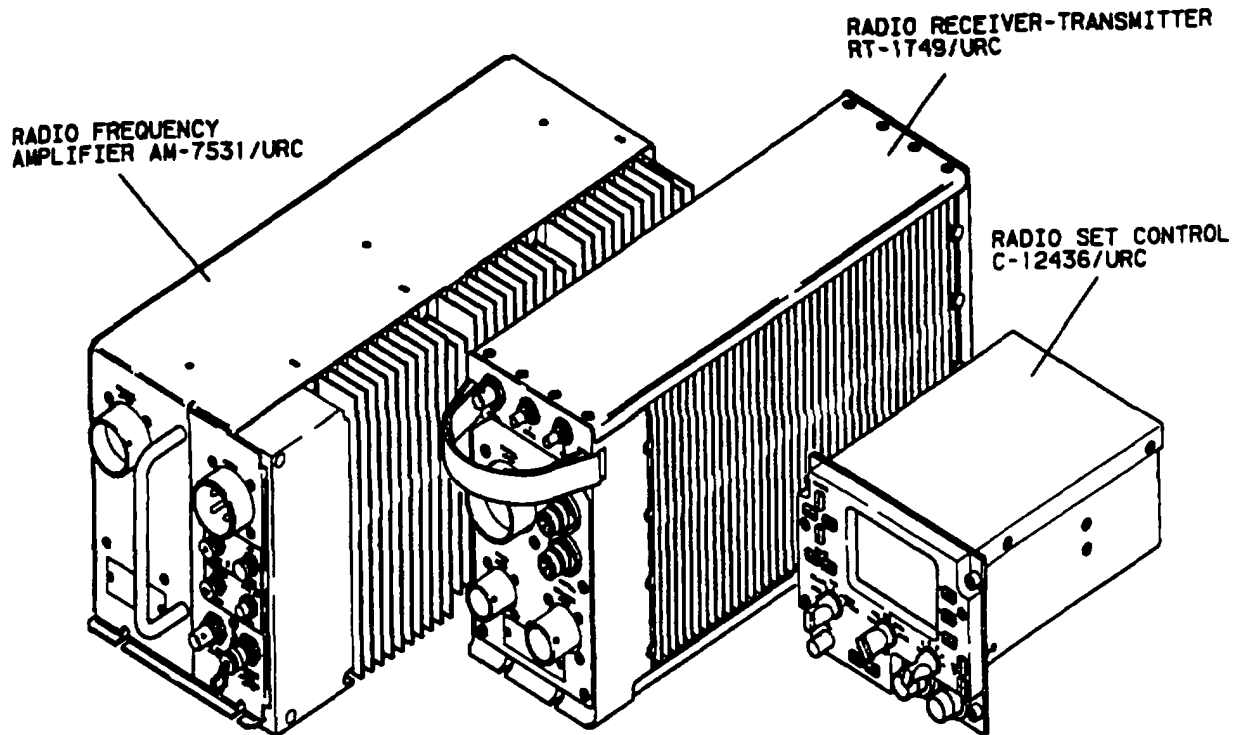
**2. Applicable Tools and Test Equipment:**

Not Applicable

**3. Applicable Publications:**

- TM 11-5821-333-10
- TM 11-5821-333-12
- TM 11-5821-333-23P
- TM 11-5821-333-30
- TM 11-5821-333-30-1

SYSTEM COMPONENTS	EQUIPMENT DESCRIPTION (QNTY)
RT-1476/ARC-201(V)	Receiver-Transmitter
C-1 1466/ARC-201	Control, Radio Set (1)
CV-3885/ARC-201(V)	Data Rate Adapter (1)



*AN/ARC-220(V) HF Radio*

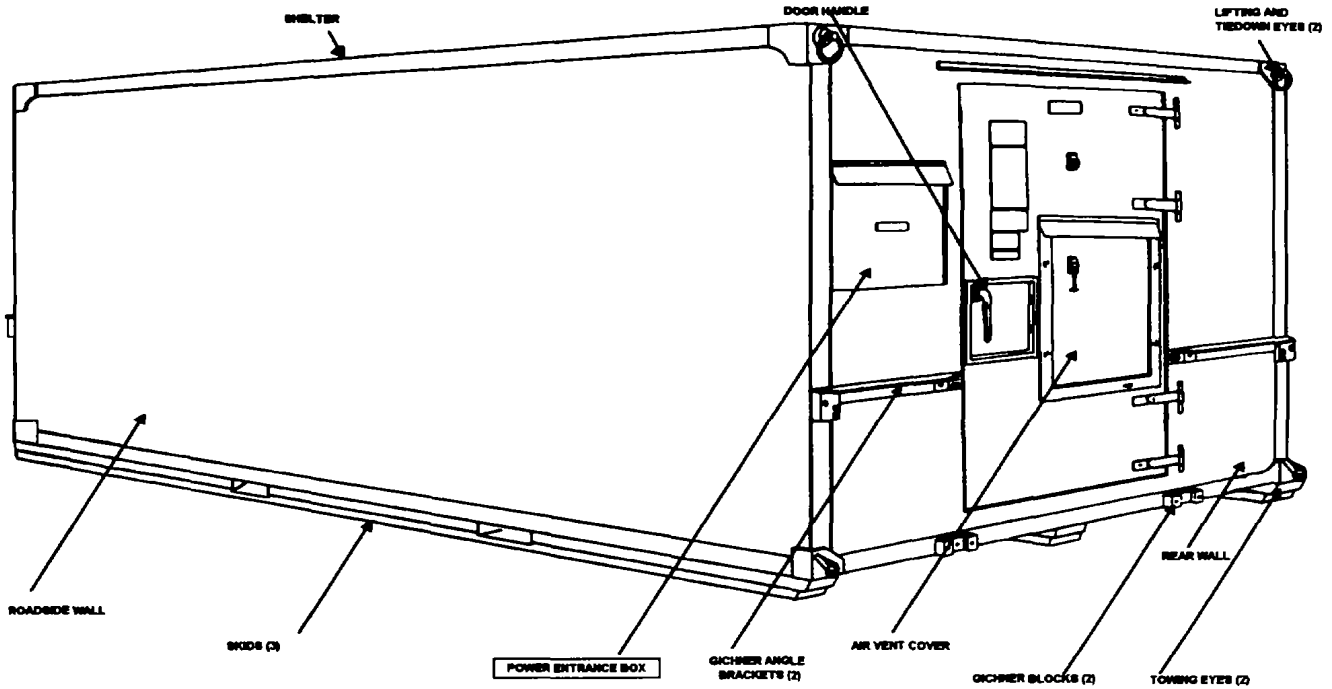
**1. Brief Description:** Radio Set AN/ARC-220(V)1, referred to as the ARC-220, is a microprocessor-based communications system employing advanced digital signal processor (DSP) technology. The ARC-220 will receive and transmit on any one of 280,000 manually-selected frequency channels spaced at 100-Hz increments in the HF band (2 0000 to 29 9999 MHz). Preset channels can be manually programmed by an operator, or preprogrammed as part of the communications mission load. Information Communications are possible using either simplex or half-duplex operation in upper sideband (USB), lower sideband (LSB), amplitude modulation equivalent (AME), continuous wave (CW), data USB, and data LSB emission modes. Both standard and advanced narrowband digital voice terminal (ANDVT) are

supported. An audio data port is provided to support Interface with the automatic target handoff system (ATHS). Digital data Interfaces compatible with MIL-STD-188-114A allow transmission and reception of data from improved data modem (IDM) and data secured by either an AIRTERM (KY-100) or a TACTERM (AN/USC-43).

**2. Applicable Tools and Test Equipment:**  
Not yet determined

**3. Applicable Publications:**  
Under development

TB 43-0123  
 AN/ASM-146A  
 4940-00-877-8726  
 JFF  
 AN/ASM-146B  
 4940-00-435-7764  
 JFD  
 AN/ASM-147A  
 4940-00-91 23532  
 JFH  
 AN/ASM-147B  
 4940-00-435-7765  
 JFE



*AN/ASM-146/147 Avionics Repair/Supply Shops*

1. Brief Description: The AN/ASM-146 and AN/ASM-147 Avionics Electronics Shops are air or vehicular transportable shelters which can be equipped with a Gichner mobilizer kit to permit towing. The AN/ASM-146 provides a facility for bench testing, troubleshooting, alignment and repair of avionics systems and components. Tools and test equipment installed in the shelter are authorized on the TO&E or TA of the using activity. A PP-1104C/G power supply is installed in the shelter which provides DC power for the equipment being maintained. The AN/ASM-147 is used as a storage facility for repair parts and maintenance float items. External power requirements for the AN/ASM-146 are 115 volts AC, 60 Hz, single phase, 100 amperes and 115 volts AC, 400 Hz, three phase, 20 amperes. External power requirement for the AN/ASM-147 is 115 volts AC, 60 Hz, single phase at 50 amperes.

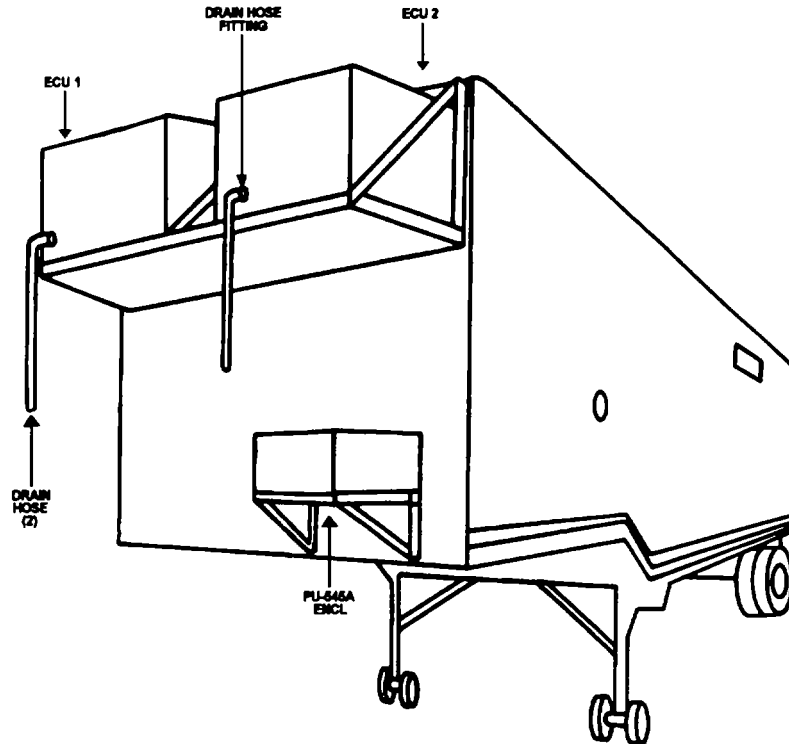
**2. Applicable Tools and Test Equipment:**  
 See appendix B for nomenclature, NSN, etc.

Type No.	AVUM	AVIM
AN/URM-105		X
AN/USM-223		X
TK-100/G		X
TK-101/G	X	
TK-105/G		X
TK-1 441G		X

**3. Applicable Publications:**

- TM 11-4940-238-14-1
- TM 11-4940-238-10-HR
- TM 11-4940-238-24P-1

TB 43-0123  
 ANIASM-1 89  
 4940-00-265-0318  
 EIC: N/A  
 ANIASM-1 89A  
 4940-00-234-6114  
 JFC  
 AN/ASM-1 89B  
 4940-01-211-9938  
 EIC: N/A  
 ANIASM-1 89C  
 4940-01-274-9959  
 JFR



AN/ASM-189C Avionics Maintenance Shop

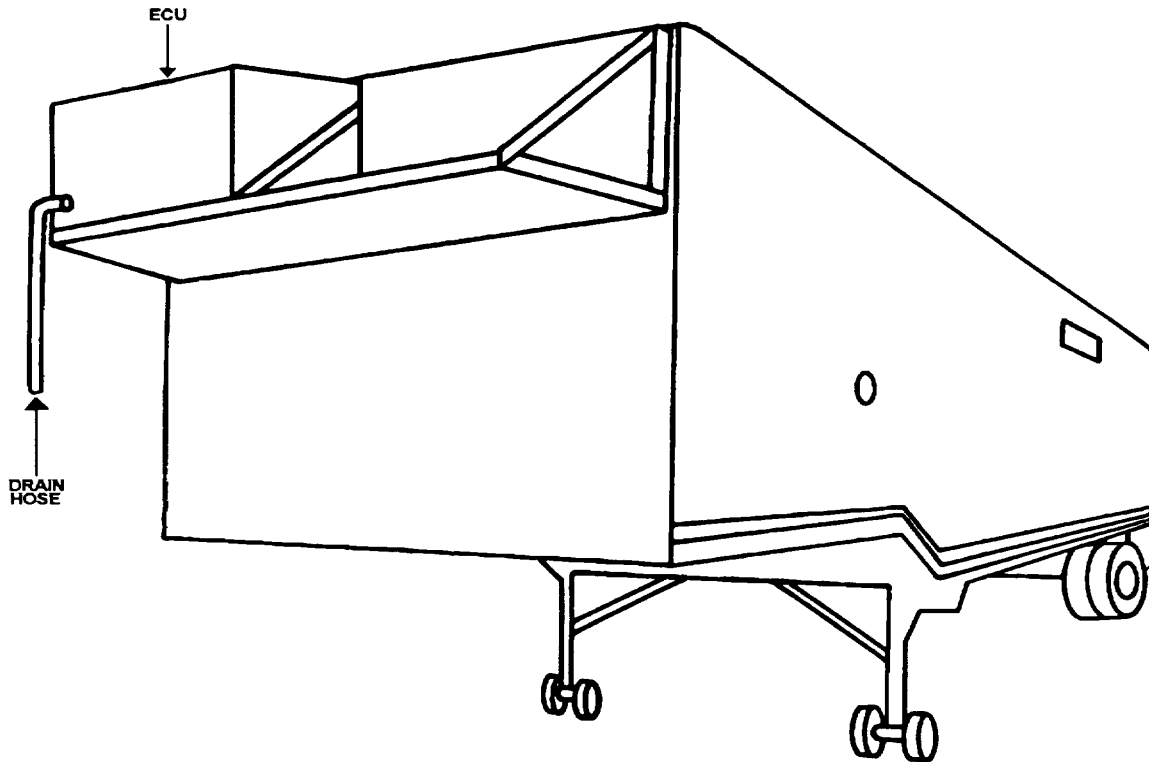
**1. Brief Description:** The ANIASM-189() is an air or vehicular-transportable maintenance shop which provides mobile facilities for direct and general support bench testing, troubleshooting, alignment and repair of electronic equipments. Tools and test equipment required to perform maintenance functions as authorized by TO&E are installed in the shop. Refer to applicable TM to determine items comprising an operable system. Input power requirement is 120/208 volts AC, 60 Hz, three phase, four wire at 27,600 watts maximum, depending on items in use.

**2. Applicable Tools and Test Equipment:**  
 See appendix B for nomenclature, NSN, etc.

Type No.  
 AN/URM-105C  
 AN/USM-223  
 TK-100/G  
 TK-011/G  
 TK-105/G  
 TK-144/G

AVUM	AVIM
X	
	X
	X
X	
	X
	X

**3. Applicable Publications:**  
 TM 11-4940-246-10-HR  
 TM 11-4940-246-14



*AN/ASM-190 Avionics Maintenance Shop*

**1. Brief Description:** The AN/ASM-190( ) (Storage Van) Electronic Shop is an air or vehicular-transportable facility used for storing repair parts and the maintenance float components of the major end items being supported. This storage van is used in conjunction with the AN/ASM189( ) repair van. For electrical and physical differences refer to appropriate technical manual. Items comprising an operable equipment and those required for installation are listed in the Basic Issue List of the Technical Manual. Input power requirement is 120/208 volts AC, 60 Hz, three phase, four wire at 11,232 wafts maximum, depending on items in use.

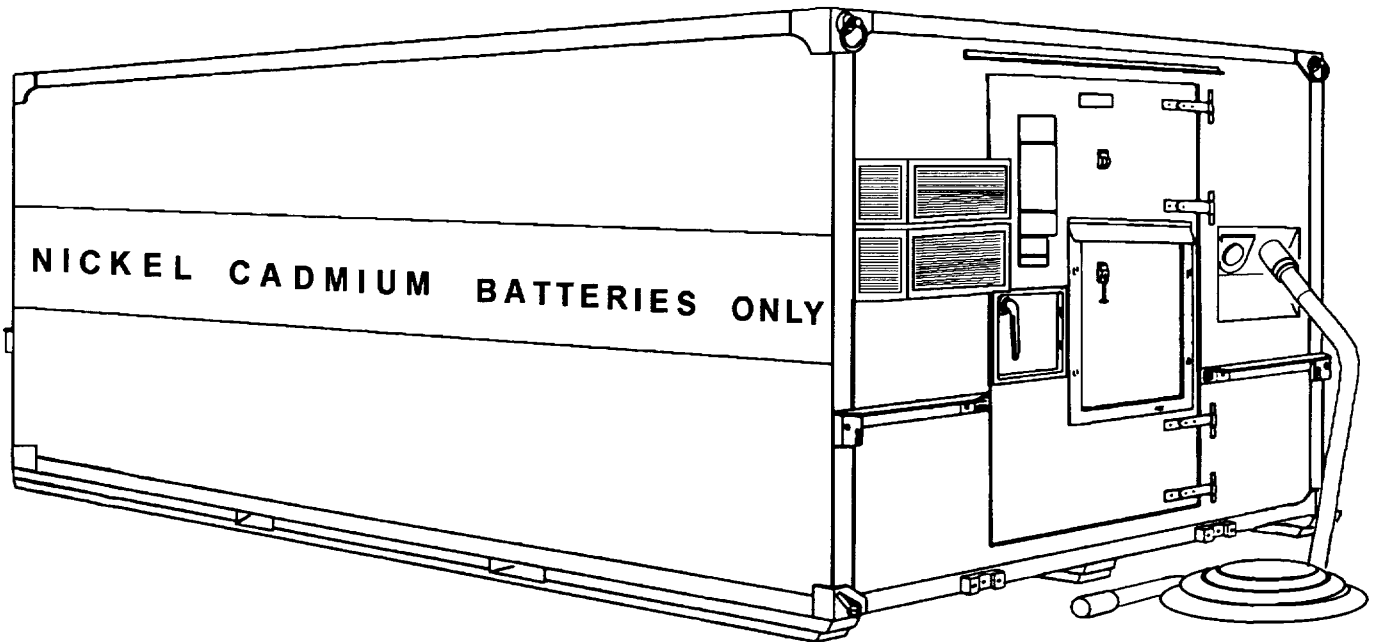
Type No.	AVUM	AVIM
AN/URM-105C	X	
AN/USM-223		X
TK-100/G		X
TK-101/G	X	
TK-105/G		X
TK-144/G		X

**3. Applicable Publications:**

TM 11-4940209-15 (Pertains to AN/ASM-189 and AN/ASM190)

**2. Applicable Tools and Test Equipment:**  
 See appendix B for nomenclature, NSN, etc.





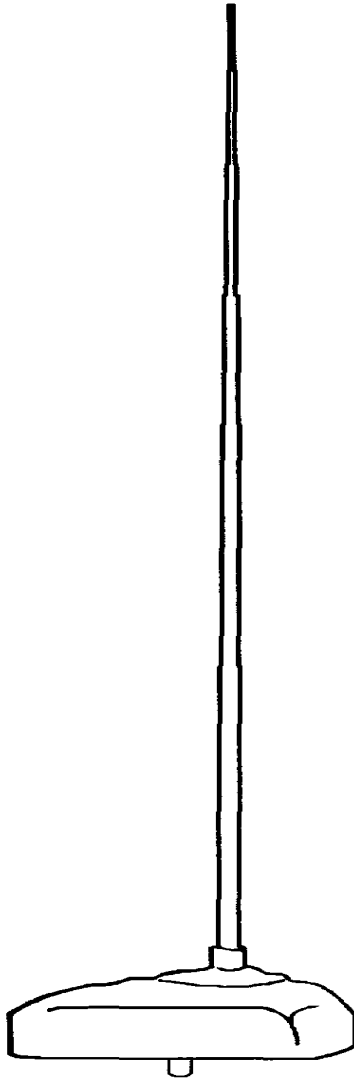
*AN/TSM-133 Battery Servicing Shop*

**1. Brief Description:** The AN/TSM-133 Battery Servicing Shop is an airmobile and ground transportable unit that provides an environmentally controlled facility for maintenance and servicing of NICAD batteries. The AN/TSM-133 is a basic -280B/G shelter modified to contain heaters, air conditioners, emergency eyewash and shower fixtures, battery charging compartments, exhaust blowers, hydrogen detector and various accessories and tools required for normal routine battery maintenance and servicing. The facility can accommodate up to four AN/USM-432 charger/analyzers which are issued separately from the AN/TSM-133. External power requirements are 115/208 volts AC, 5060

Hz, 100 amperes.

**2. Applicable Tools and Test Equipment:**  
Not Applicable.

**3. Applicable Publications:**  
TM 11-4940-477-10  
TM 11-4940-477-10-HR  
TM 11-4940-477-24  
TM 11-4940-477-24P  
TM 11-5865-203-13  
TM 11-5865-203-24P



*AS-1703/AR Antenna*

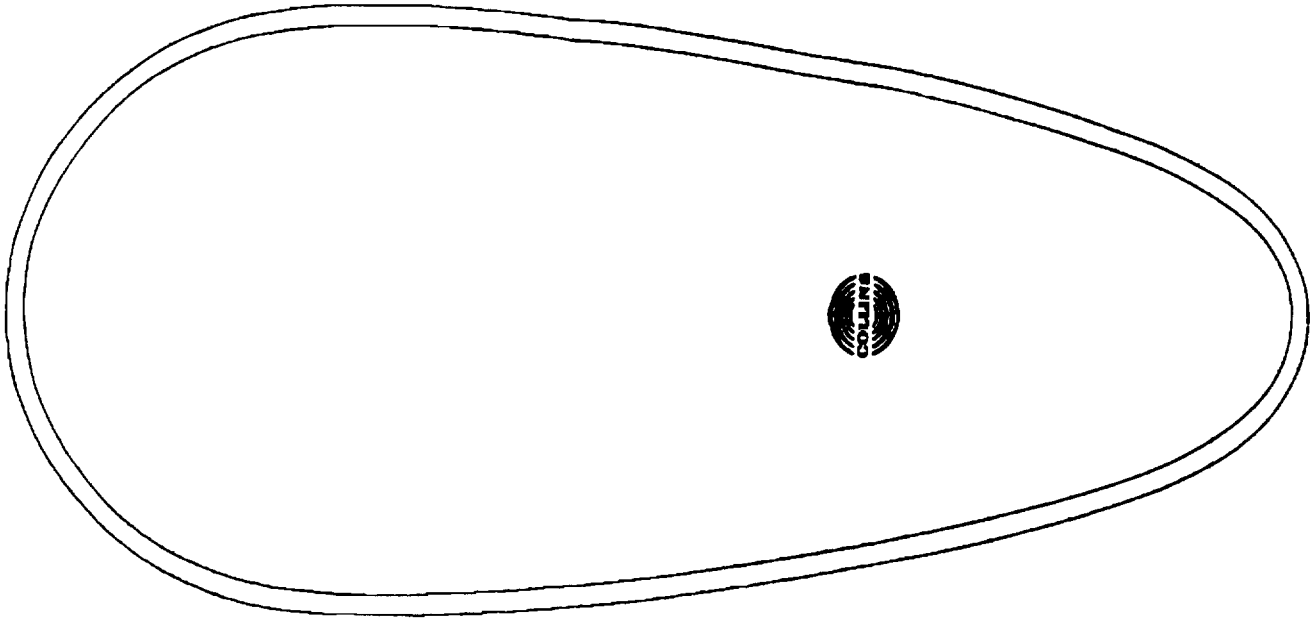
**1. Brief Description:** The AS-1703/AR is a vertically polarized omnidirectional whip antenna designed for use in the 30-75 MHz frequency range. The radiating element is No. 16 copperweld stranded conductor terminated at the tip by a 50 megohm static suppressor. The nominal input impedance of the antenna (with coupler) is 50 ohms and is designed to handle 20 watts of RF power.

**2. Applicable Tools and Test Equipment:**  
Not applicable.

**3. Applicable Publications:**

TM 11-5821-244-12 (Pertains to AN/ARC-54)  
TM 11-5821-244-20P (Pertains to AN/ARC-54)  
TM 11-5821-244-34 (Pertains to AN/ARC-54)  
TM 11-5821-244-34P (Pertains to AN/ARC-54)

TB 43-0123  
AS-1869/ARN-83  
5826-00-941-2073  
EIC: N/A  
AS-2108/ARN-89  
5826-00-790-6427  
EIC: NIA

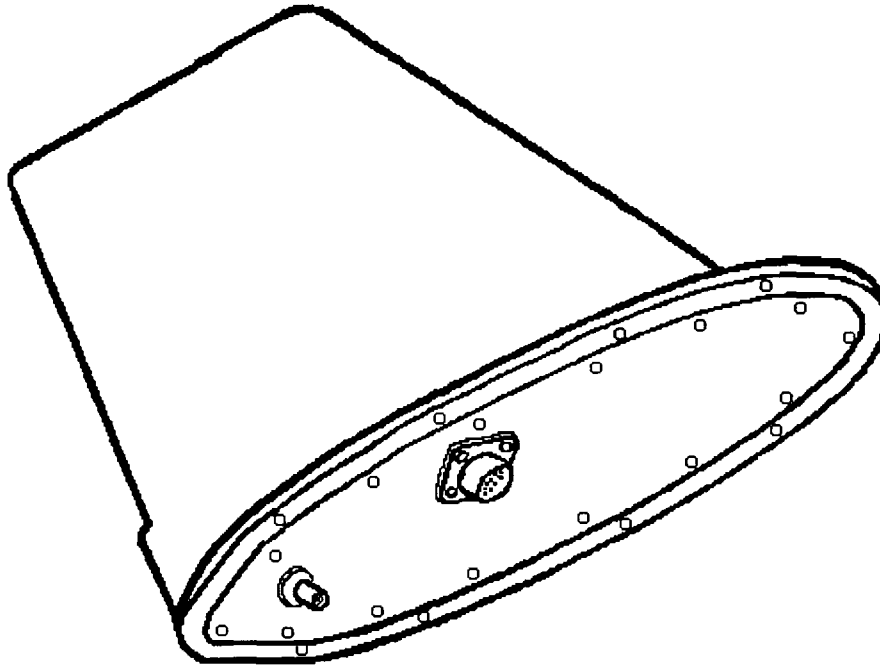


*AS-1869/ARN Antenna*

**1. Brief Description:** The AS-1869/ARN (Collins 437M-2) and AS-2108A/ARM-89 are low profile ADF sense antennas installed on CH-47 aircraft. They utilize semiflush mounting which allows installation directly over the ADF loop antenna. The AS-1869 fits over the AS-1863/ARN-83 loop while the AS-2108A/ARM-89 fits over the AT-780/ARN-89 loop.

**2. Applicable Tools and Test Equipment:**  
Not applicable.

**3. Applicable Publications:**  
TM 11-1520-240-23  
TM 11-1520-240-23P



AS-2285 ( )/ARC Antenna

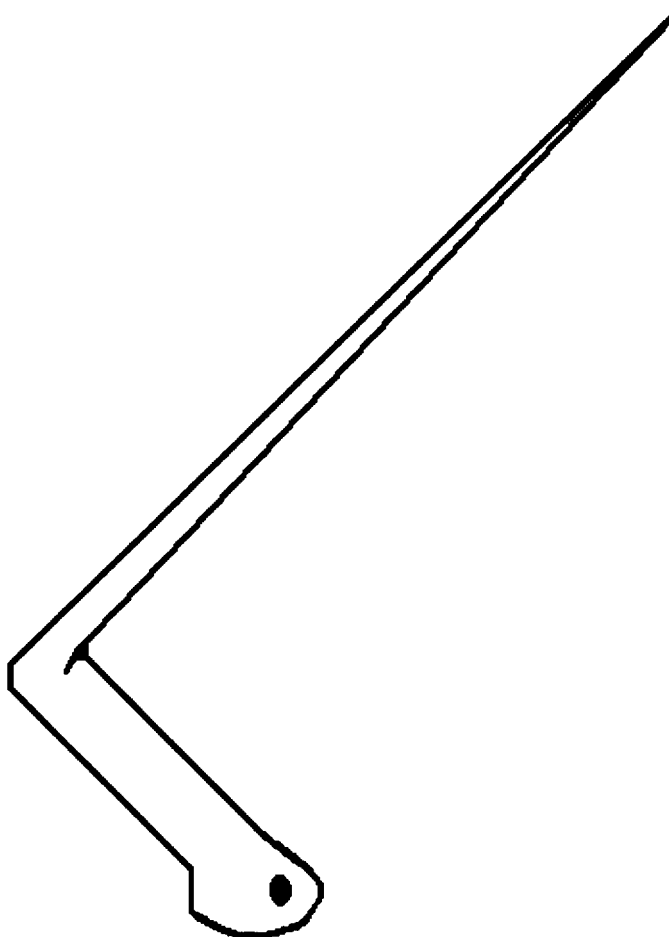
**1. Brief Description:** The AS-2285()/ARC antenna is an omnidirectional, vertical polarized VHF/FM blade antenna frequency modulated (FM) communications on frequencies from 30 MHz to 76 MHz. The antenna provides impedance matching to a 50 ohm transmission line. The antenna is automatically tuned; however, circuits are also included to permit remote manual tuning of the antenna in radio silence conditions. The AS-2285/ARC has a power rating of 35 watts, whereas the AS-2285A/ARC is rated at 70 watts.

AN/USM-281C		X
DA-75/J		X
ME-26D/U		X
MK-1035/ARC-131		X
PP-1104/G		X
RT-823/ARC-131		X
TK-100/G		X
TK-101/G	X	X
TK-105/G		X

**2. Applicable Tools and Test Equipment:**  
 See Appendix B for nomenclature, NSN, etc.

**3. Applicable Publications:**  
 TM 11-5841-284-20  
 TM 11-5841-284-34  
 TM 11-5841-284-34P

Type No.	AVUM	AVIM
AN/ARM-115		X
AN/URM-105C	X	
AN/URM-120	X	X

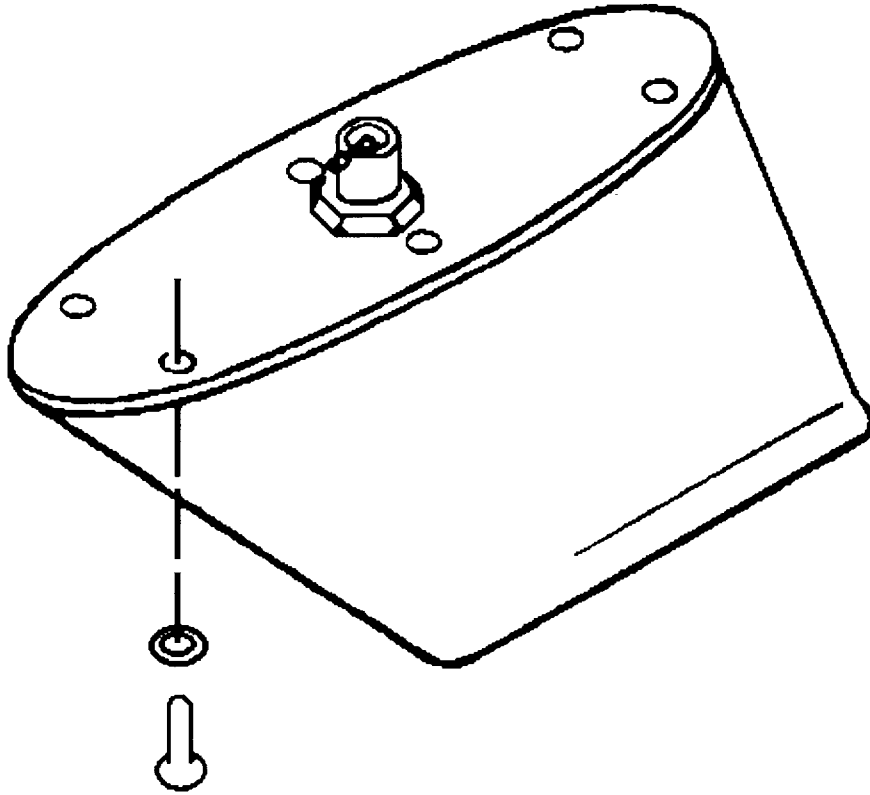


*AS-2485/ARC Antenna*

**1. Brief Description:** The AS-2485/ARC is a VHF-FM Communications Antenna installed on the OH-58 aircraft. is a vertically polarized monopole consisting of a fiberglass whip extending up and aft, permanently attached to a streamlined vertical probe.

**2. Applicable Tools and Test Equipment:**  
Not applicable.

**3. Applicable Publications:**  
TM 11-1520-228-20P (Pertains to OH-58)

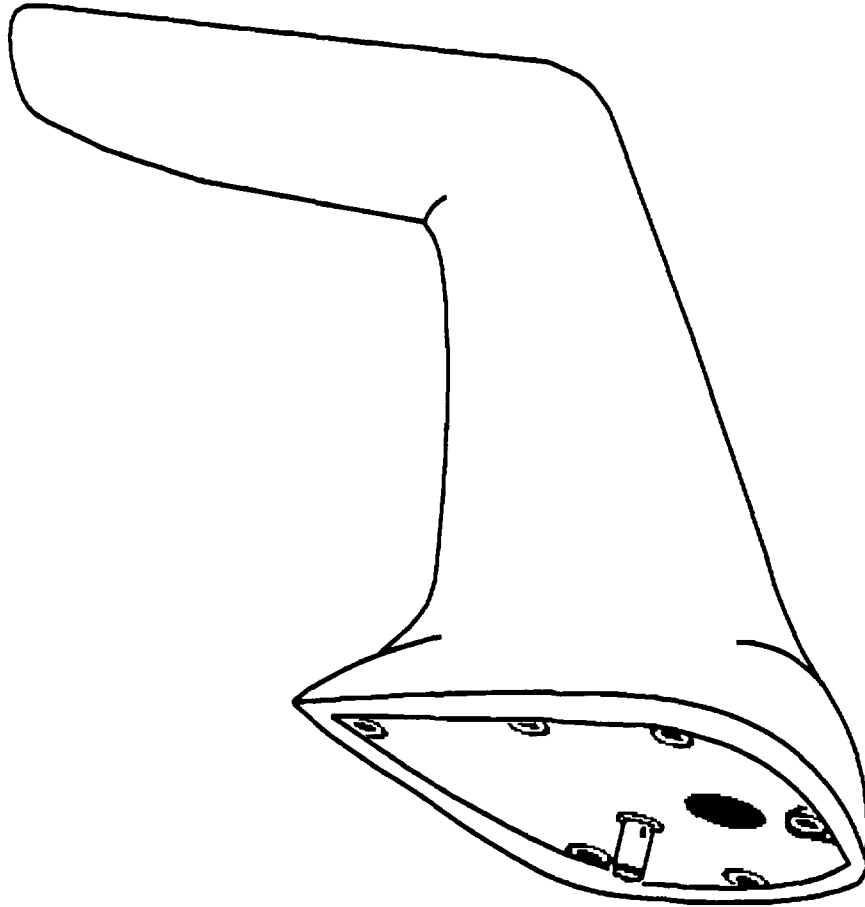


*AS-2487/ARC Antenna*

**1. Brief Description:** The AS-2487/ARC is a UHF- AM Communications Antenna installed on the OH-58 aircraft. It is a vertically polarized monopole, encapsulated and shaped like a blade for streamlining.

**2. Applicable Tools and Test Equipment:**  
Not applicable.

**3. Applicable Publications:**  
TM 11-1520-228-20P (Pertains to OH-58)

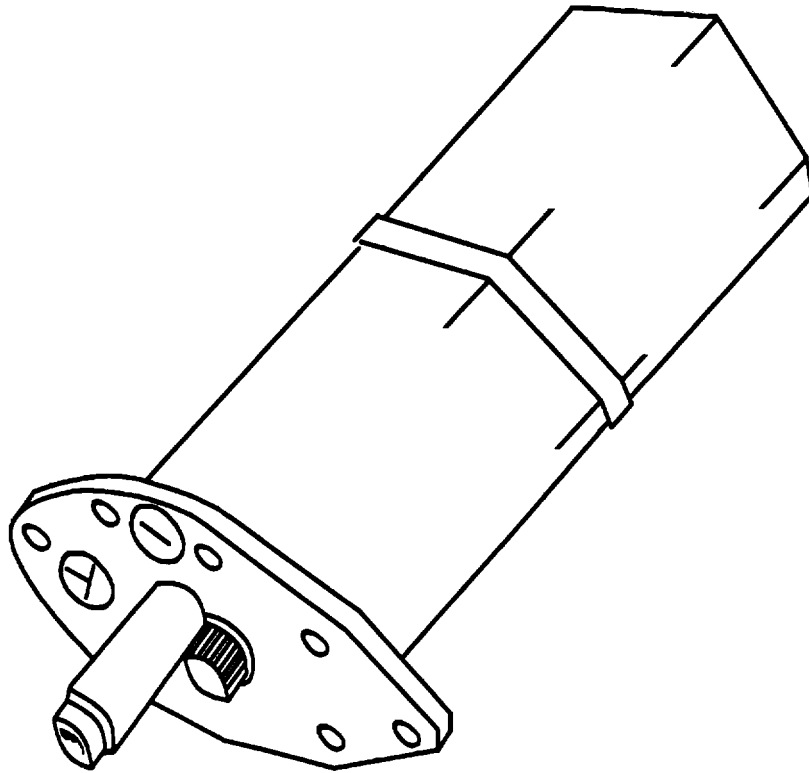


*AS-3204/ARC Antenna*

**1. Brief Description:** The AS-3204/ARC is an antenna used for the transmission and reception of VHF-AM signals on the AH-1S aircraft.

**2. Applicable Tool and Test Equipment:**  
Not applicable.

**3. Applicable Publications:**  
For reference use TMs for the AH-1S, Aircraft.



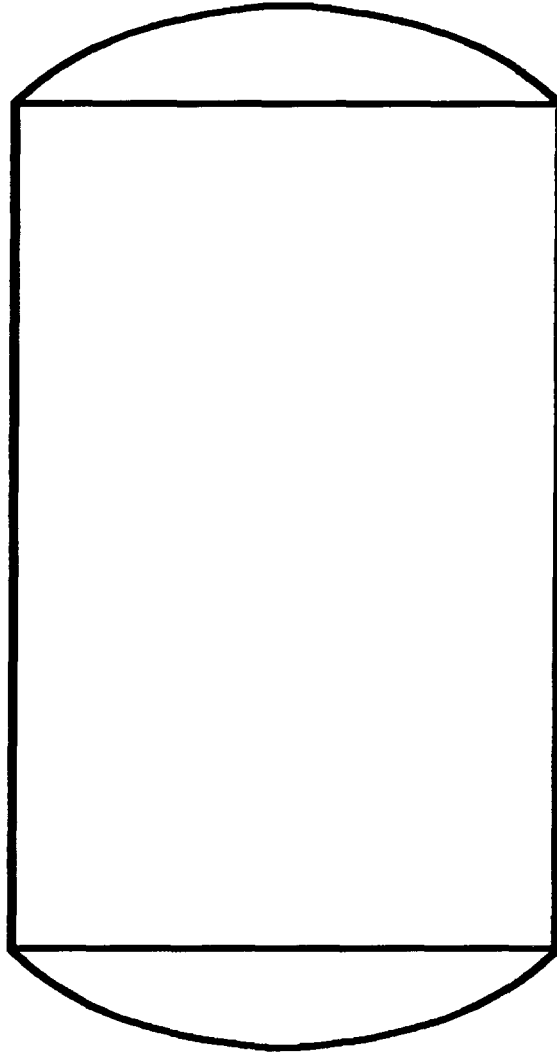
*AT-256A/Arc Antenna*

**1. Brief Description:** The AT-256A/ARC is an antenna used for the reception and transmission of UHF-AM signals on the AH-1S aircraft.

**3. Applicable Publications:**  
For reference use TMs for the AH-1S Aircraft.

**2. Applicable Tools and Test Equipment:**  
Not applicable.



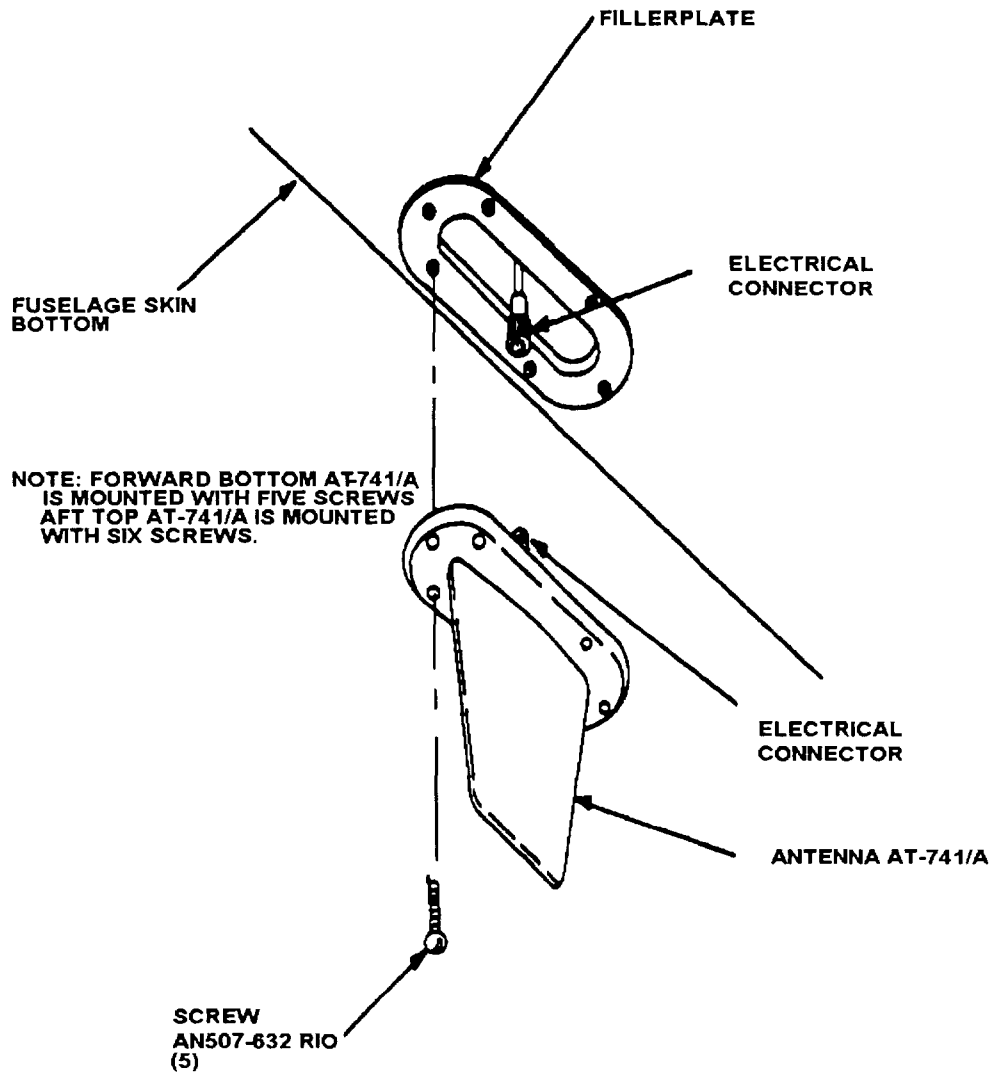


*AT-450/ARC Antenna*

**1. Brief Description:** The AT450/ARC is a UHF blade antenna designed to cover the frequency range of 225 to 400 MHz. It has an input impedance of 52 ohms.

**3. Applicable Publications:**  
TM 11-5821-231-15P

**2. Applicable Tools and Test Equipment:**  
Not applicable.



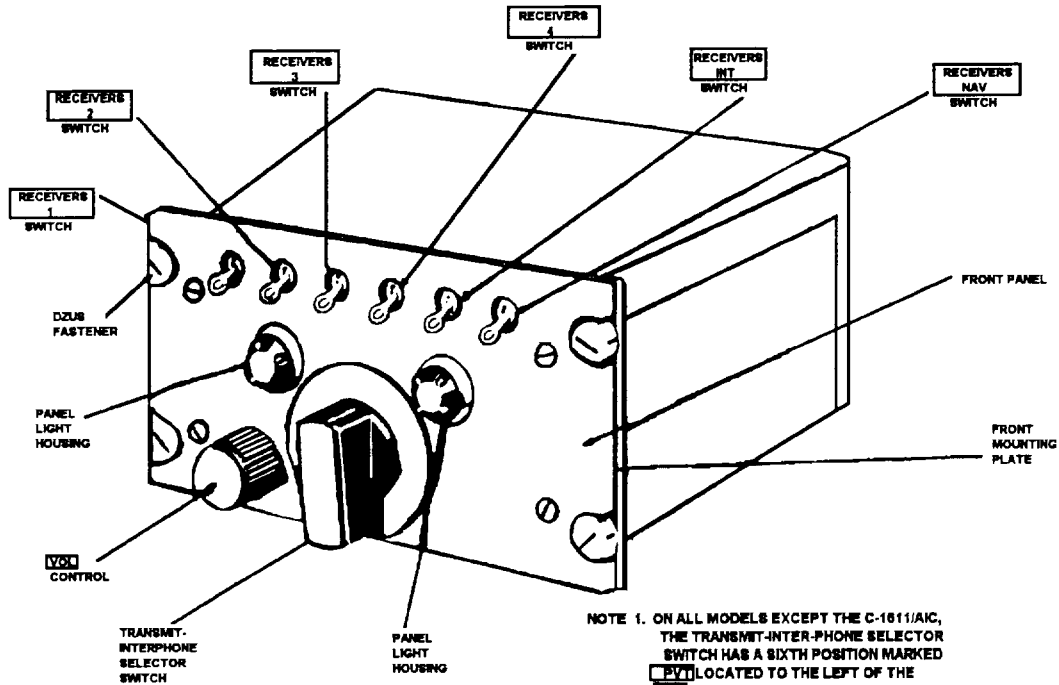
AT-741/A Antenna

**1. Brief Description:** The AT-41A is a vertical polarized omnidirectional sleeve stub external type antenna designed for reception of signals within the frequency range 960 to 1220 MHz.

**2. Applicable Tools and Test Equipment:**  
Not applicable.

**3. Applicable Publications:**  
For reference use CH-47D TMs.

TB 43-0123  
 C-1611( )/AIC  
 5831-00-682-2703  
 EIC: N/A  
 5831-00-752-5895  
 JEH  
 5831-00-267-9252  
 JAV  
 5831-00-920-3058  
 EIC: N/A  
 5831-00-933-9822  
 JEJ



- NOTE 1. ON ALL MODELS EXCEPT THE C-1611/AIC, THE TRANSMIT-INTERPHONE SELECTOR SWITCH HAS A SIXTH POSITION MARKED **INT** LOCATED TO THE LEFT OF THE **INT** POSITION.
2. A SWITCH PROTECTOR IS INSTALLED OVER THE RECEIVER SWITCHES ON C-1611( )/AIC UNITS.
3. THE C-1611D/AIC UNIT HAS 8 DZUS FASTENERS FOR CONNECTION TO AIRFRAME.

*C-1611 ( )/AIC Communication Control*

**1. Brief Description:** The C-1611( )/AIC is a completely transistorized intercommunications and control unit of a multistation intercommunications and radio control system used in Army aircraft. The system may include a maximum of six Intercommunication Control Sets C-1611( )/AIC, eight radio receivers and four transmitters. The input power requirement is 27.5 volts DC at 200 ma.

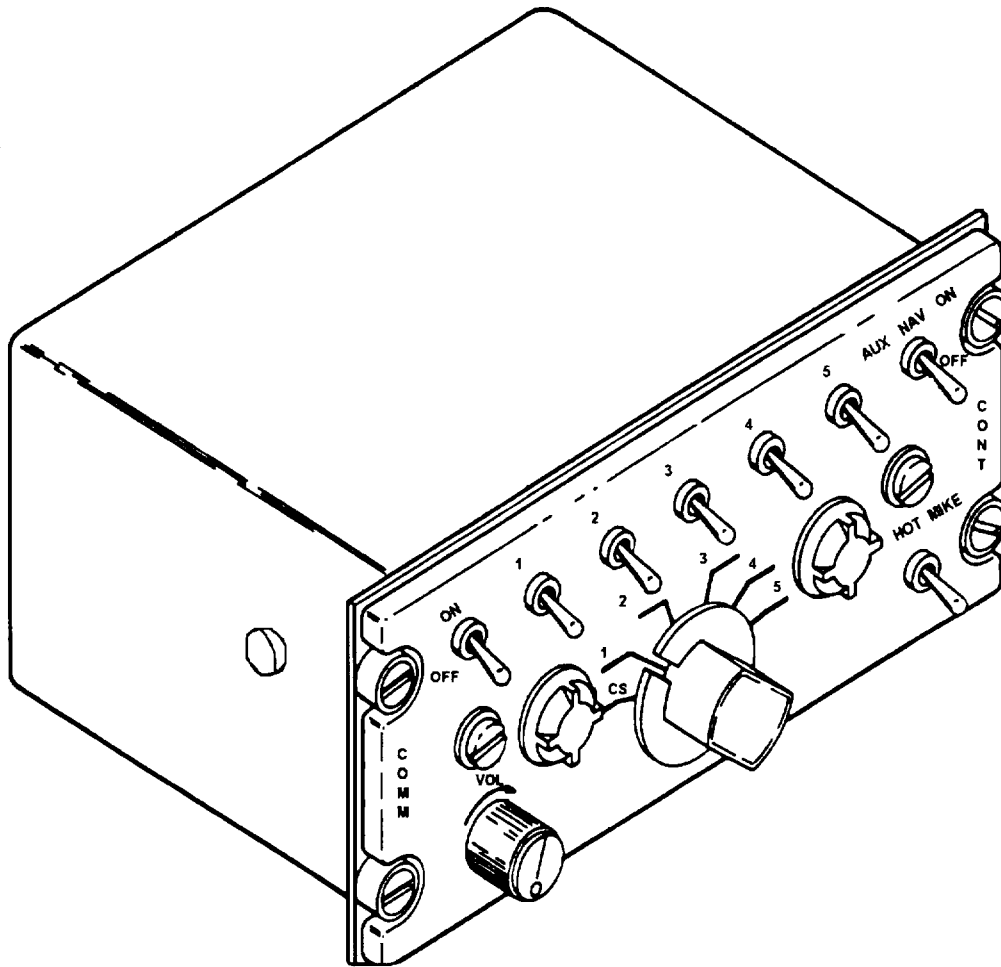
Type No.	AVUM	AVIM
ANURM-127		X
AN/USM-223		X
ME-30U		X
TK-1 OO/G		X
TK-101/G	X	
TK-105/G		X
TS-15881AC		X

**2. Applicable Tools and Test Equipment:**  
 See Appendix B for nomenclature, NSN, etc.

**3. Applicable Publications:**

- TM 11-5831-201-20
- TM 11-5831-201-35

Type No.	AVUM	AVIM
AN/URM-105	X	



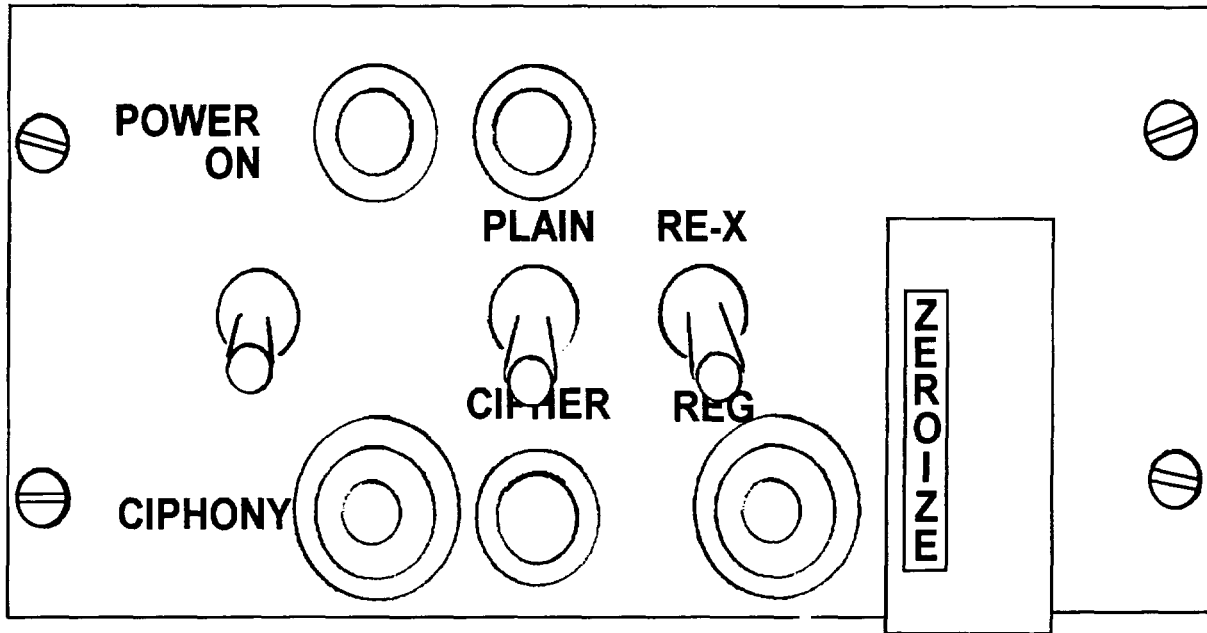
*C-6533/ARC Communication Control*

**1. Brief Description:** Communication System Control C-6533/ARC provides an intercommunication capability between two or three crewmember stations, each having a communication control. The C-6533/ARC also provides a means by which the communication control operators may select and control associated radio equipment for voice transmission and reception. The operator may select any one of five receiver-transmitters for voice operation, select any of eight receiver circuits to monitor and communicate with two other crewmember stations within an aircraft. Power input requirements is 27.5 volts DC at approximately .2 amp.

Type No.	AVUM	AVIM
ANURM-105C	X	
AN/URM-127		X
ANUSM-223		X
H-157AIC		X
ME-26B		X
ME-30AU		X
MK-94R		X
TK-100G		X
TK-101GX	X	
TK-105/G		X
TS-1836B/U		X

**2. Applicable Tools and Test Equipment:**  
 See Appendix B for nomenclature, NSN, etc.

**3. Applicable Publications:**  
 TM 11-5821-262-20  
 TM 11-5821-1174-23P



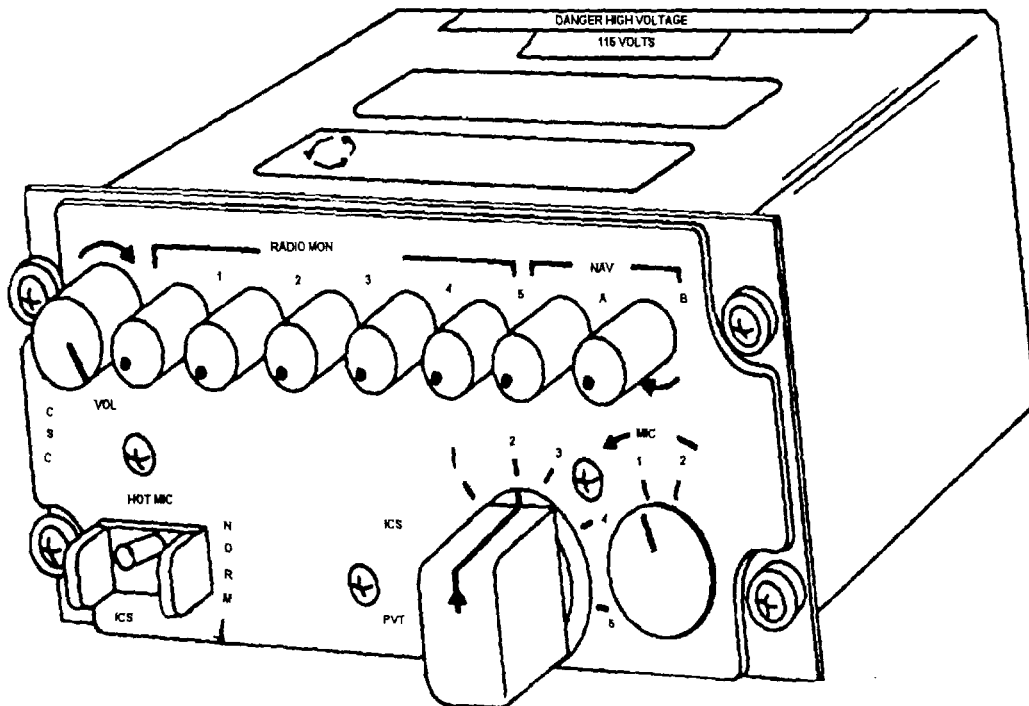
*C-8157/ARC Control-Indicator*

**1. Brief Description:** Control Indicator C-8157/ARC provides control of the cipher equipment during voice security (X mode) operation. Input power requirement is 28 volts DC at .5 amps.

**3. Applicable Publications:**  
 TM 11-5895-555-23P  
 TM 11-5895-555-24

**2. Applicable Tools and Test Equipment:**  
 See Appendix B for nomenclature, NSN, etc.

Type No.	AVUM	AVIM
AN/URM-105	X	
AN/USM-223		X
ME-26B/U		X
TK-100/G		X
TK-101/G	X	
TK-105/G		X



C-10414(V)3/ARC

**1. Brief Description:** The C-10414ARC Communications Control Panel accommodates up to five receiver-transmitters, six navigation receivers, two intercom channels and miscellaneous audible warning signals. Each radio output channel is isolated from all other signals by 120 decibels (DB's) or greater which eliminates the need for external discriminator, threshold devices, etc., to comply with TEMPEST requirements. The C-10414 requires 15 watts of 28 VDC power and weighs less than 2. pounds.

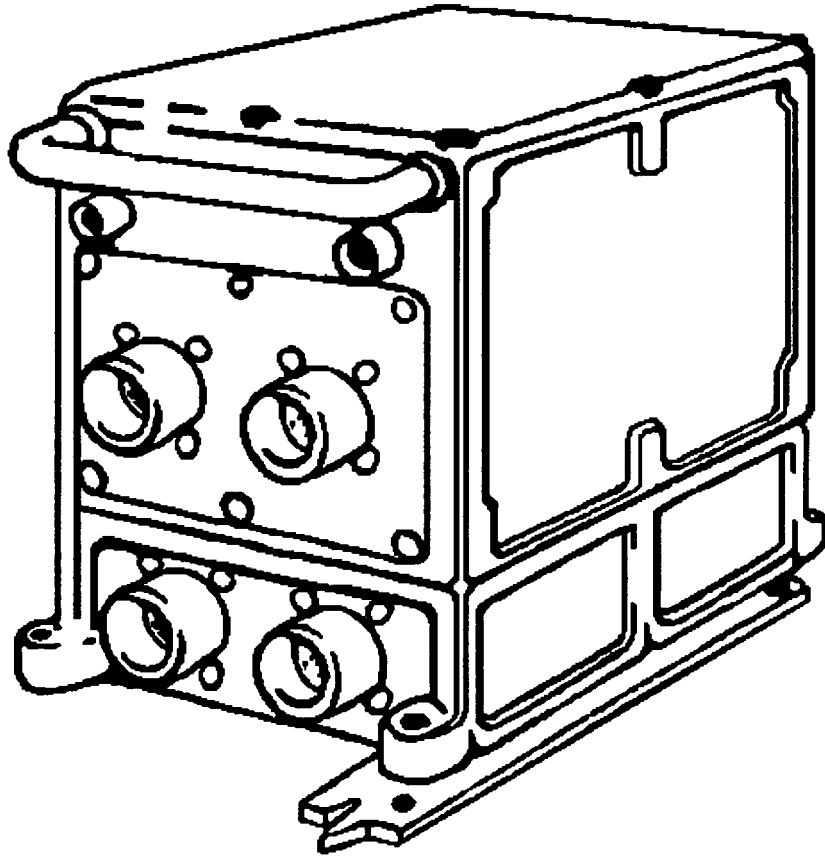
**3. Applicable Publications:**

TM 11-5821-320-12  
TM 11-5821-320-20P

**2. Applicable Tools and Test Equipment:**

See Appendix B for nomenclature, NSN, etc.

Type No.	AVUM	AVIM
TK-101/G	X	



*CP-1516A/ASQ Automatic Target Handover System (ATHS)*

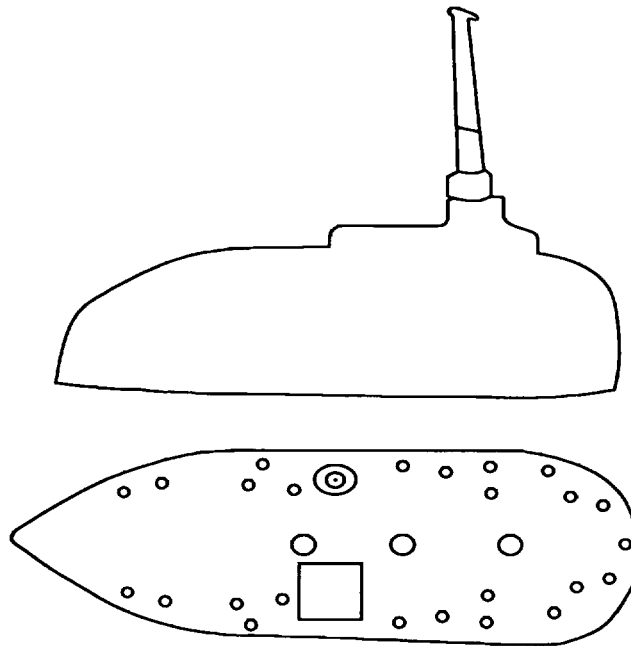
**1. Brief Description:** The Automatic Target Handover System (ATHS), CP-1516/ASQ, is a single Line Replacement Unit (LRU) that is remotely mounted in the aircraft and is controlled by whatever cockpit display is present in the host aircraft. The CP-1516/ASQ is an airborne mission computer designed to provide Aeroscout and attack crews exchange mission essential information accurately and with low probability of detecting. The unit uses the MIL-STD-1553B data bus to transfer data to and from other avionics systems, including the mast mounted sight, Doppler navigation and crew controls and displays. It transmits its FSK digital data over any of four radios on the aircraft and is COMSEC capable. The CP-1516/ASQ is intended to be used on the OH-58D and AH-64( ) helicopters.

**2. Applicable Tools and Test Equipment:**  
 See Appendix "B" for nomenclature, NSN, etc.

Type No.	AVUM	AVIM
ANPSM45		X
ANUSM-281C		X
PP-( ) (6130-0065-6811)		X
TK-101/G	X	
TK-105/G		X
SCI BCS101A (1553 Bus Simulator)		X

**3. Applicable Publications:**  
 TM 11-5895117523P

TB 43-0123  
 CU-942/ARC  
 5985-00-082-3989  
 JCG  
 CU-942A/ARC  
 5895-00-937-4687  
 JCK  
 CU-942B/ARC  
 5895-00-179-3126  
 JCH



CU-942 ( )/ARC Antenna Coupler

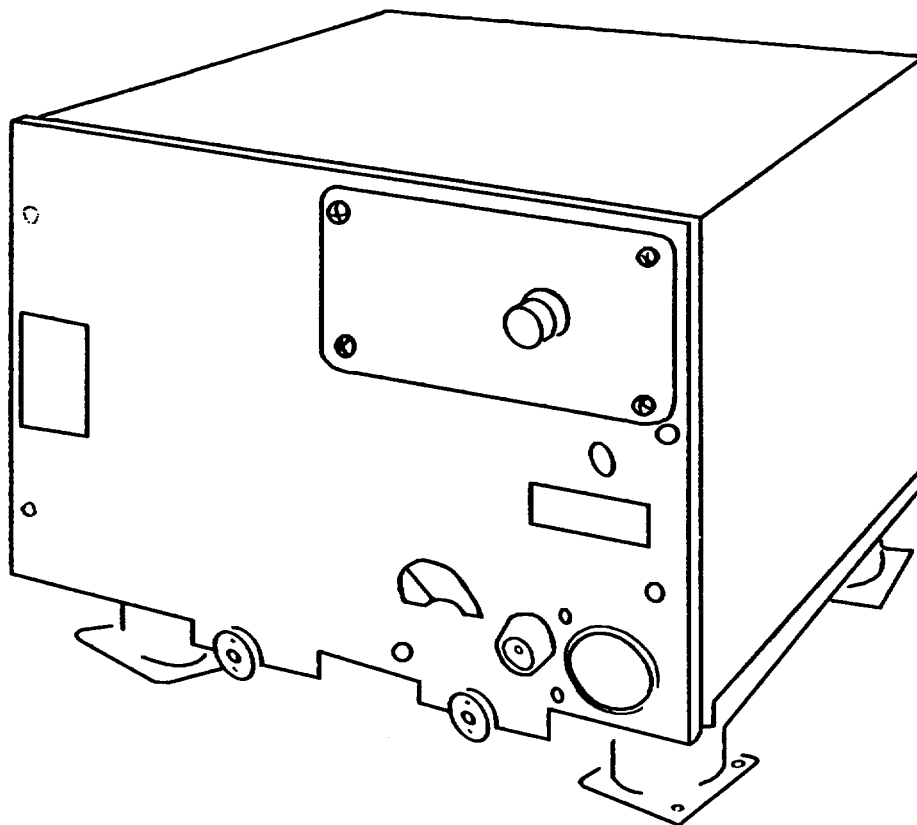
1. **Brief Description:** Antenna Coupler CU-942( )/ARC is designed to match the AS-1703/AR antenna to the transmitter output circuits of VHF-FM radio sets such as the AN/ARC-54/131 and AN/ARC-114. The CU-942( )/ARC contains impedance matching circuits which provide the proper VSWR. The CU-942/ARC and CU-942A/ARC are compatible only with the ANIARC-54/131. The CU-942B/ARC is compatible with either the AN/ARC-54/131 or the ANARC-114 but it is not electrically interchangeable with the CU-942/ARC and CU-942A/ARC since R has no moving parts, is completely solid state, does not employ internal switching and therefore does not require DC power for tuning. (Refer to the CU-2206/ARC for data on the coupler formerly nomenclatured as CU-942C/ARC.) The CU-942B must be installed in UH-1 SN 70-16200 and subsequent. All models can be used in aircraft prior to SN 70-16200.

2. **Applicable Tools and Test Equipment:**  
 See Appendix B for nomenclature, NSN, etc.

Type No.	AVUM	AVIM
AN/URM-105C	X	
ANUSM-223		X
TK-100/G		X
TK-101/G	X	
TK-105/G		X

3. **Applicable Publications:**  
 TM 11-5821-244-12 (Pertains to AN/ARC-54)  
 TM 11-5821-244-20P (Pertains AN/ARC-54)  
 TM 11-5821-244-34 (Pertains to ANARC-54)  
 TM 11-5821-244-34P (Pertains to AN/ARC-54)





CU-991/AR Antenna Coupler

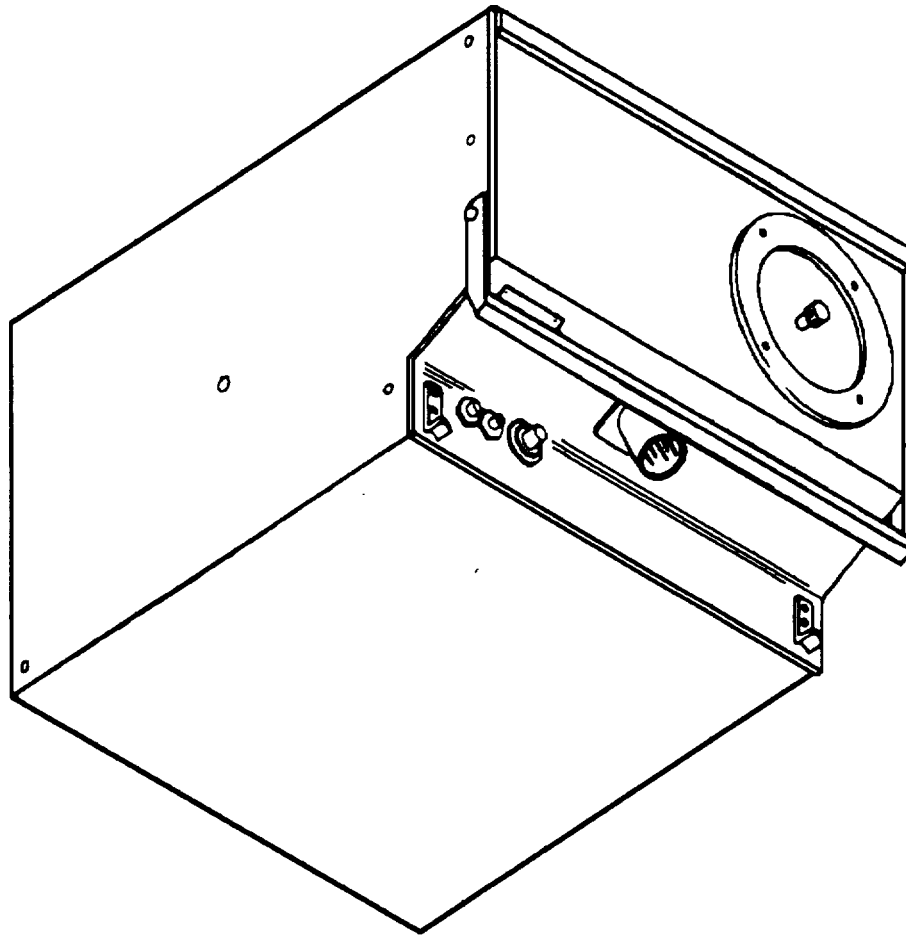
**1. Brief Description:** Automatic Antenna Tuner CU-991/AR performs the function of automatically resonating the aircraft antenna to frequencies determined by the associated transceiver and coupling the RF signal between the transceiver and the aircraft antenna. When resonating the antenna, the CU-991/AR compensates for antenna reactance and maintains the effective antenna resistance at 52 ohms. This coupler is designed for use with transceivers with a frequency range of 2 to 25 MHz and a transmitter power output of 50 to 150 watts. Any fixed wire antenna between 45 and 100 feet in length and most grounded-end antennas of similar length may be used but in some cases may require a different size shunt capacitor than supplied. Input power requirements are 27.5 volts DC at 3 amps and 115 volts AC, 400 Hz, single-phase at 20 volts a. The following component is used with but not issued as part of the CU-991/AR:

MT- 1719/AR .....Mounting

**2. Applicable Tools and Test Equipment:**  
 See Appendix B for nomenclature, NSN, etc.

Type No.	AVUM	AVIM
AN/URM-25D		X
AN/URM-105C	X	
AN/URM-120		X
AN/URM-157		X
AN/USM-223		X
AN/USM-281A		X
DA-75/U		X
ME-26D/U		X
MK-722/URC		X
TK-100/G		X
TK-101/G	X	
TK-105/G		X
TV-7D/U		X
ZM-16/U		X

**3. Applicable Publications:**  
 TM 11-5915-201-15  
 TM 11-5915201-20  
 TM 11-5915-201-34P



CU-1658A/ARC Antenna Coupler

**1. Brief Description:** The CU-1658IARC is a HF antenna coupler designed for use with transmitters with a frequency range of 2.000 to 29.999 MHz and a power output of 650 watts PEP (SSB) or 200 watts AM. It automatically tuned in 3 seconds when a new frequency is selected, using any high frequency radio set such as the AN/ARC-102. It will match a whip antenna of 25 feet or longer, or a long wire antenna between 25 feet may also be matched with the aid of external loading coils. The power requirement is 115 volts AC, single-phase, 400 Hz at 130 watts during manual operation. The following component is used with but not issued as part of the CU-1658A/ARC:

MT-3772A/A ..... Mounting

The following component is used to adapt the CU-991/AR wiring harness to accept the CU-1658ARC:

153L-2 (Collins) ..... Box Interconnect

**2. Applicable Tools and Test Equipment:**  
 See Appendix B for nomenclature, NSN, etc.

Type No.	AVUM	AVIM
ANIARM-109		X
ANIURM-105C	X	
AN/URM-120		X
ANUSM-223		X
ANUSM-281A		X
DA-75		X
TK-100/G		X
TK-101/G	X	
TK-105/G		X
TK-617/U		X

**3. Applicable Publications:**

- TM 11-5985-326-20
- TM 11-5985-326-24P
- TM 11-5985-326-35

(Illustration Not Available)

CU-2206/ARC Antenna Coupler

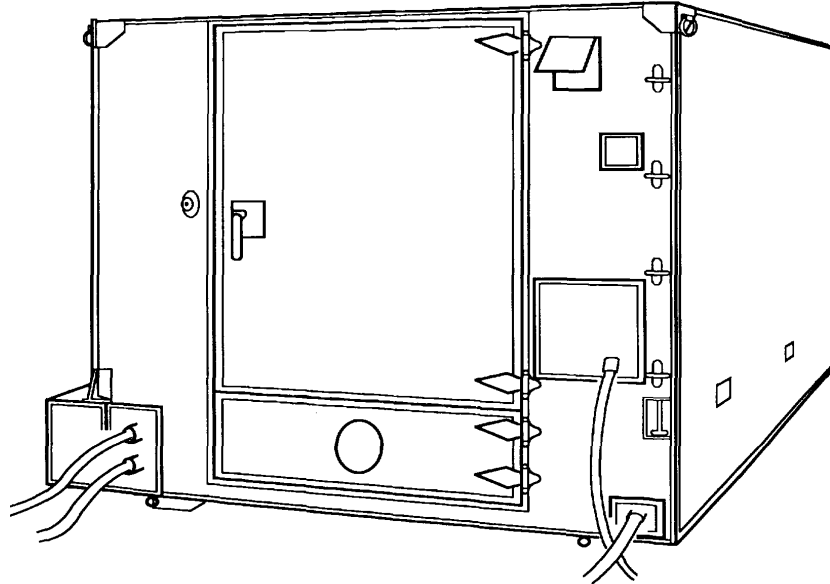
**1. Brief Description:** Antenna Coupler CU-2206/ARC is designed to match the AS-1703/AR Antenna to the transmitter output circuits of VHF-FM radio sets such as the AN/ARC-54/131 and AN/ARC-114. The CU-2206/ARC was formerly nomenclatured as the CU-942C/ARC and is similar to the CU-942B/ARC described elsewhere in this publication but it is smaller in length and has a different mounting configuration. This coupler cannot be used on aircraft. Its main application is in the AN/ASC-15 and ANTSQ-97 systems.

**2. Applicable Tools and Test Equipment:**

Type No.	AVUM	AVIM
AN/URM- 105C	X	
AN/USM-223		X
TK-100 /G		X
TK-101/G	X	
TK- 1 05/G		X

**3. Applicable Publications:**

Not Applicable.



ES-38B Photographic Dark Room

1. Brief Description: Photographic darkroom group ES-38( ) is designed provide a self-contained photographic darkroom for complete rapid processing of photographic materials. The complete process includes developing, fixing, washing, and drying of exposed film and paper, contact printing, enlarging and continuous contact printing. The ES-38(.) can be transported from one site to another by truck or aircraft. Some versions can also be transported by rail. Electrical power required for operation under field conditions is supplied by trailer-mounted Generator Set PU-406A/M. Power input requirement to operate the ES-38( ) is 115 volts AC, 60 Hz approximately 3500 watts. Major components are as follows:

ES-38B	ES-38C	
AR-92B	AR-92B	- Photographic Film Plotting Table
EH-29B	EH-29B	- Photographic Film and Paper Processing Machine
EH-48B	EH-48B	Photographic Film and Paper Processing Machine
EN-6C	EN-6C	Photographic Continuous Contact Printer
EN-36B	EN-36B	-Photographic Projection Printer
EN-100A	EN-100A	- Photographic Contact Pinter
FH-6B	FH-6B	PhotographicProcessing

ES-38B	ES-38C	Temperature Control Unit
FM-6B	FM-6B	-Semiautomatic Photographic Chopper
FM-165B	FM-165B	--Immersion Heater
FM-180A	FM-180A	--Photographic Chemical Solution Mixer-Distributor
S-280(.) /G	S-280() /G	- Shelter

2. Applicable Tools and Test Equipment:  
 See Appendix B for nomenclature, NSN, etc.

Type No.	AVUM	AVIM
AN/URM-105C	X	
AN-USM-223		X
FM-145X TK-77G		X
TK-77/G	X	X
TK-109/G		X
TV-7D/U		X

3. Applicable Publications:  
 TM 11-6740-282-12  
 TM 11-6740-282-24P  
 TM 11-6740-282-35

(Illustration Not Available)

*MD-736/A Discrete Sign Discriminator*

**1. Brief Description:** The MD-736/A discrete signal discriminator is used as auxiliary equipment in conjunction with the C-1611D/AIC. It provides filtering of transmit audio signals from the VHF, UHF, and HF radio signals that pass through the interphone systems of Army aircraft. The MD-736/A is a self-contained unit requiring an input voltage of 27.5 volts DC.

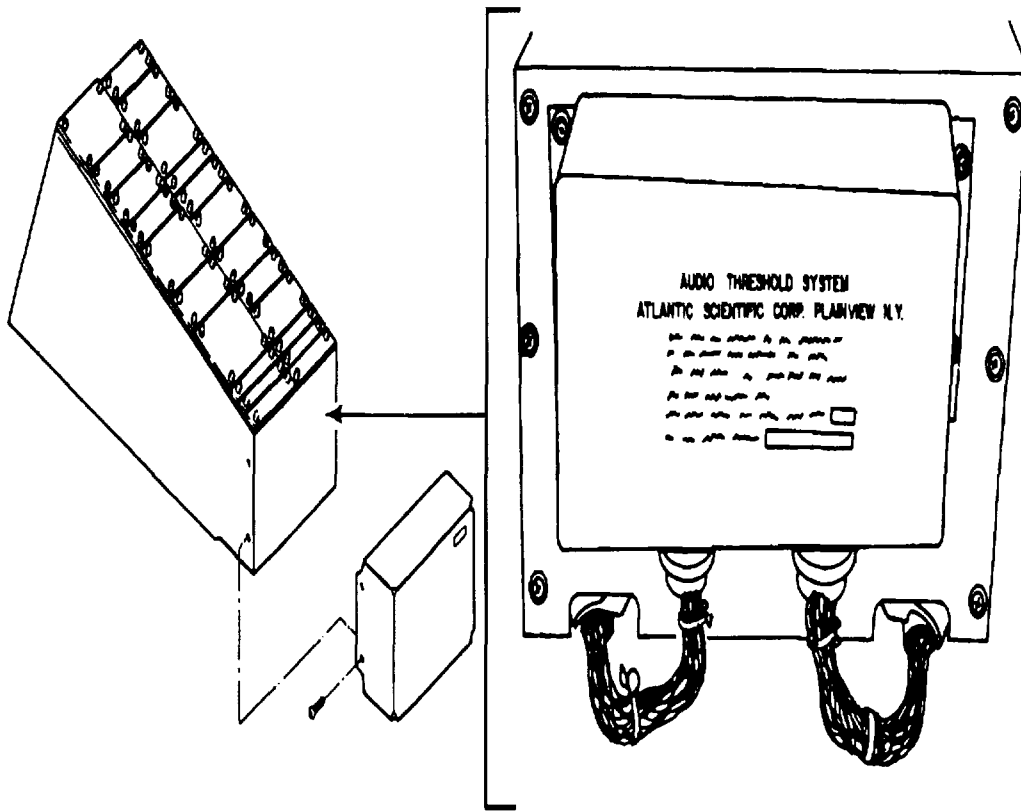
**3. Applicable Publications:**

TM 11-5831-201-20  
TM 11-5831-201-35

**2. Applicable Tools and Test Equipment:**

See Appendix B for nomenclature, NSN, etc.

Type No.	AVUM	AVIM
AN/URM-105C	X	
ANURM-127		X
AN/USM-223		X
ME-26DU		X
TK-100G		X
TK-101/G	X	
TK-105/G		X
TS-723D/U	X	



MD-1047/A Audio Threshold System

**1. Brief Description:** The MD-1047A Audio Threshold System is installed in the CH-47D and UH-1H aircraft and is designed to provide adequate cross-talk isolation during KY-58 secure voice operation to prevent inadvertent transmission of audio from another radio facility. It will accommodate up to four interphone station.

**3. Applicable Publications:**  
 TM 11-1520-240-23 (Pertains to CH-47D Aircraft)  
 TM 11-1520-240-23P (Pertains to CH-47D Aircraft)  
 TM 11-1520-210-23 (Pertains to UH-1 Aircraft)

**2. Applicable Tools and Test Equipment:**  
 See Appendix B for nomenclature, NSN, etc.

Type No.	AVUM	AVIM
ANURM-127		X
ANUSM-223	X	X
ANIUSM-281		X
ME-30EIJ		X
TK-1 00G		X
TK-101/G	X	
TK-1 05/G		X

(Illustration Not Available)

*MD-1101/A Audio Threshold System*

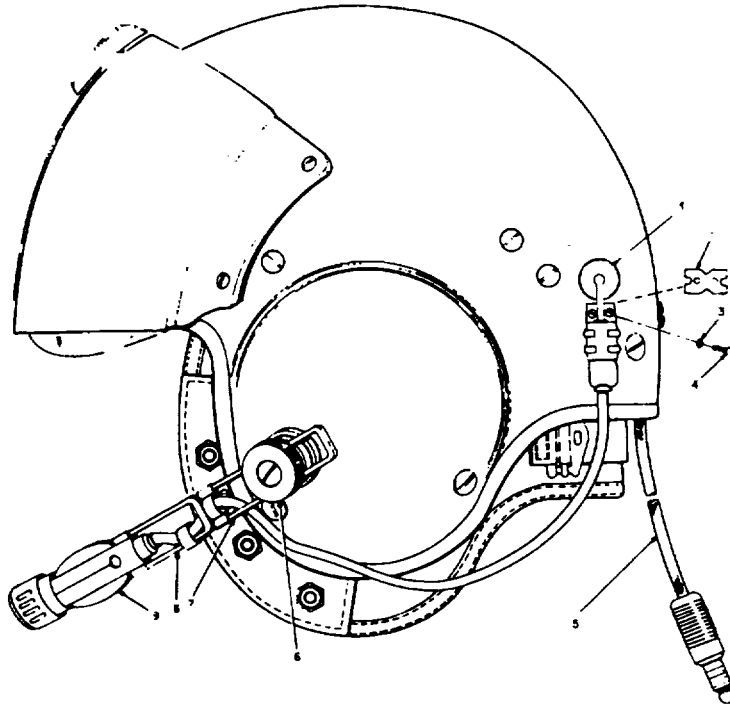
1. Brief Description: The MD-1101A Audio Threshold System is installed in the AH-1S and OH-58( ) aircraft respectively and is designed to provide adequate cross-talk isolation during KY-58 secure voice operation to prevent inadvertent transmission of audio from another radio facility. It will accommodate up to three interphone stations.

2. Applicable Tools and Test Equipment:  
See Appendix B for nomenclature, NSN, etc.

Type No.	AVUM	AVUIM
AN/URM-127		X
AN/USM-223	X	X
AN/USM-281		X
ME-30E/U		X
TK-100/G		X
TK-101/G	X	
TK-105/G		X

**3. Applicable Publications:**

- TM 11-1520-228-20 (Pertains to OH-58 aircraft)
- TM 11-1520-228-20-1 (Pertains to OH-58 aircraft)
- TM 11-1520-228-20P (Pertains to OH-58 aircraft)
- TM 11-1520-228-34 (Pertains to OH-58 aircraft)
- TM 11-1520-228-34-1 (Pertains to OH-58 aircraft)
- TM 11-1520-236-23 (Pertains to AH-1 aircraft)
- TM 11-1520-236-20P (Pertains to AH-1 aircraft)



*MK 89A/AIC Headset-Microphone Kit*

**1. Brief Description:** The MK-896A/AIC Headset-Microphone Kit provides communication for the model SPH- 4 Protective Flying Helmet. Major components are:  
 H-134A/AIC ..... Earphone (2 ea)  
 M-87A/AIC ..... Microphone

**2. Applicable Tools and Test Equipment:**  
 See Appendix B for nomenclature, NSN, etc.

	AVUM	AVIM
ANUSM-223		X
TK-105/G		X

**3. Applicable Publications:**  
 TM 11-5965-279-13&P



(Illustration Not Available)

*MX-1646/AIC Headset-Microphone Adapter*

**1. Brief Description:** The MX-1646/AIC is a transistorized audio amplifier and impedance matching device which effectively increases the input impedance of 8- ohm headsets to 600 ohm and amplifies the microphone audio output level to effect a suitable matching arrangement between the SB-329 Distribution Panel and the headset microphone components of the aircraft. The MX-1646/AIC is powered by 27.5 volts DC.

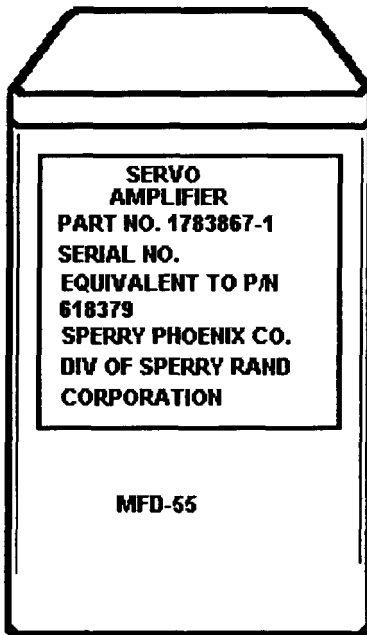
**2. Applicable Tools and Test Equipment:**  
See Appendix B for nomenclature, NSN, etc.

Type No.	AVUM	AVIM
AN/URM-105C	X	
AN/U RM-127		X
ME30A/U		X
TK-101/G		X
TS-585CJ		X

**3. Applicable Publications:**  
TM 115965-24015  
TM 11-586240-35P

II-A-51/(II-A-52 blank)

## NAVIGATION EQUIPMENT



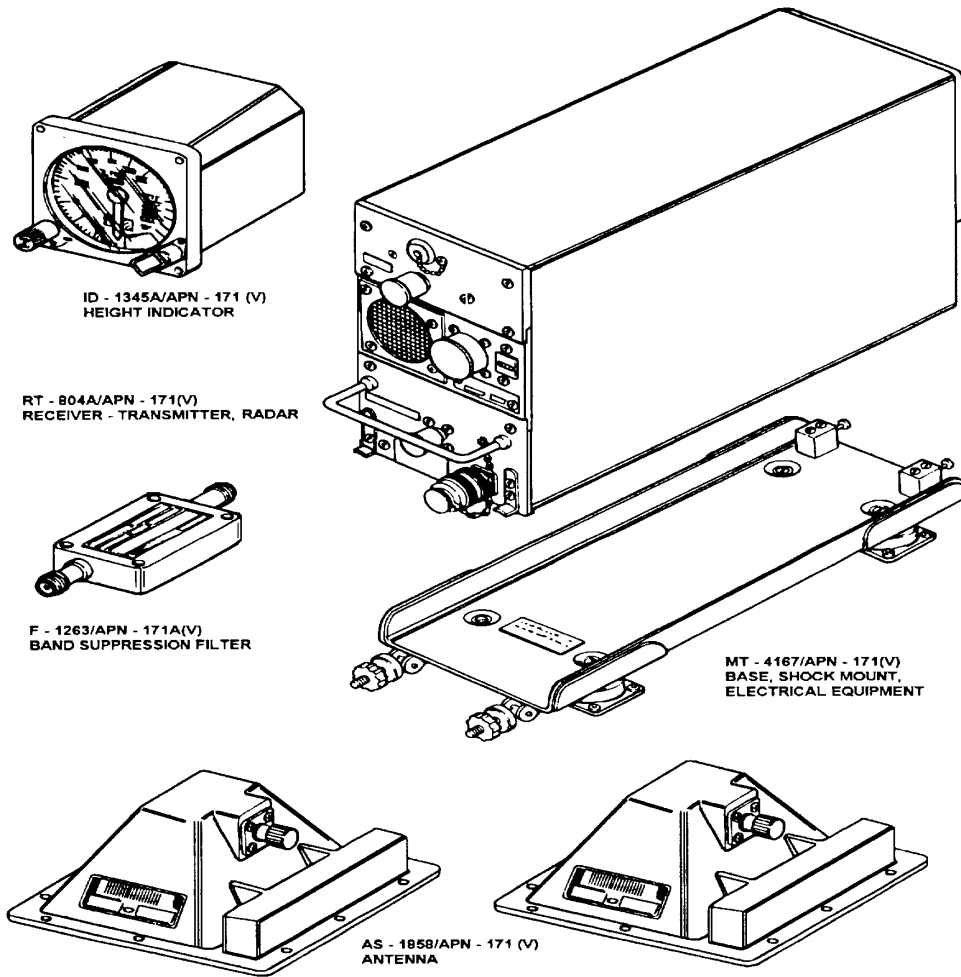
*AM-3209/ASN Servoamplifier*

**1. Brief Description:** The AM-3209/ASN is a moisture-sealed, transistorized servoamplifier with an integral power supply. It functions to amplify signals for the purpose of operating radio magnetic indicators. Operating power requirement is 115 volts AC, single phase, 400 Hz at 23 watts.

Type No.	AVUM	AVIM
ANURM-1 05C	X	
AN/USM-223		X
TK-1 0G		X
K-101/G	X	
TK- 105/G		X

**2. Applicable Tools and Test Equipment:**  
 See Appendix B for nomenclature, NSN, etc.

**3. Applicable Publications:**  
 TM 11-6110-211-15  
 TM 11-6110-211-24p



AN/APN-171A(V) Radar Altimeter Set

**1. Brief Description:** The AN/APN-171A(V) altimeter set is an airborne low-altitude-sensing radar system. The altimeter set uses narrow pulse transmission and leading edge tracking of the echo return pulse for a continuous indication of aircraft altitude. Accurate high resolution tracking is maintainable at altitude between 0 and 5000 feet as displayed on a servo actuated height indicator. The pilot of the aircraft is provided with information on distance to the nearest terrain and also enables a pilot to maintain accurate altitude reference during low level operations. The transmitter operates at a frequency of 4300 MHz with a peak power of 25 to 100 watts at 1 to 1000 feet and 100 to 300 watts 1000 to 5000 feet. The input power requirements are 115 volts AC, 400 Hz at 100 watts and 27.5 volts DC at .35 amp Major components of the AN/APN-171 M)1 are as follows

- AS-1858/APN-171(V)..... Antenna (2 ea)
- F-1263/APN-171A(V)..... Band Suppression Filter
- ID-1345A/APN-171(V)..... Height indicator
- MT-4167/APN-171(V)..... Mounting Rack
- RT-804A/APN-171(V)..... Receiver-Transmitter

**2. Applicable Tools and Test Equipment:**  
 See appendix B for nomenclature, NSN, etc.

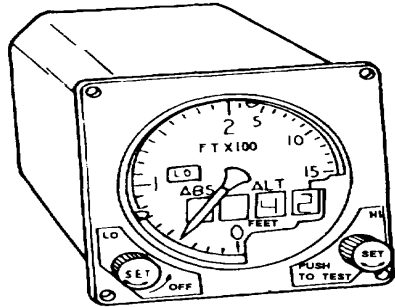
Type No.	AVUM	AVIM
AN/APM-322		X
AN/APM-323		X
AN/URM-52B		X
ANIURM-8		X
SN/URM-105C	X	

Type No.	AVUM	AVIM
AN/USM-223		X
AN/USM-281A		X
ME-202B		X
TK-100 /G		X
TK-101/G	X	
TK-10S/G	X	

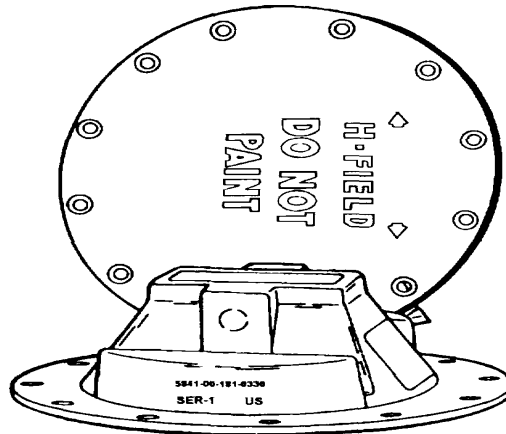
**3. Applicable Publications:**

- TM 11-5841-272-20
- TM 11-5841-272-20P-1
- TM 11-5841-272-24P
- TM 11-5841-272-34P-1
- TM 11-5841-272-35

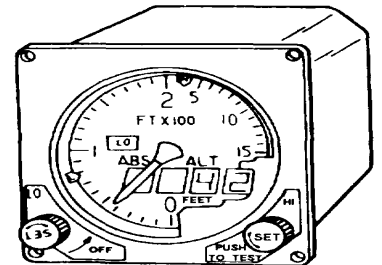
TB 43-0123  
 AN/APN-209(V)  
 5841-01-245-9101  
 EIC: N/A  
 5841-01-245-9106  
 EIC: N/A  
 5841-01-247-1945  
 EIC: N/A



INDICATOR/RECEIVER/TRANSMITTER  
 RT - 1115 / APN - 209



ANTENNA  
 AS - 2595 / APN - 209



HEIGHT INDICATOR  
 ID - 1917 / APN - 209

*AN/APN 209 ( ) (V) 2 Radar Altimeter Set*

1. Brief Description: The AN/APN-209( )M is an absolute radar altimeter which provides an accurate indication of the altitude of the aircraft over all types of terrain surfaces such as foliage, deep snow, water, and land. Range of the AN/APN-209( ) is 0-1500 feet. Warnings are provided when the aircraft is at, above or below certain fixed or pilot adjustable altitudes. For altitudes up to 250 feet, the accuracy of the AN/APN-209( ) is plus or minus 3 feet plus 3% of true altitude. The AN/APN-209( ) (V) operates within a frequency range of 4200 MHz to 4400 MHz and will provide reliable operation at all speeds up to 300 knots on the ground over any terrain. A self-test feature for insight/preflight testing is incorporated as is a 10,000 hour elapsed time indicator. Input power requirement is 27.5 volts DC at 2 amperes maximum. Following are the various configurations of the AN/APN-209( ) (V) system.

AN/APN-209(V)1 consists of:  
 AS-2595/APN-194(V) ..... Antenna (2 ea)  
 RT-1115/APN-209(V) ..... Receiver-Transmitter,  
 Height Indicator

AN/APN-209(V)2 consists of:  
 AS-2595/APN-194(V) ..... Antenna (2 ea)  
 ID-1917 APN--209(V) ..... Height Indicator  
 RT-1115/APN-209V ..... Receiver-Transmitter,  
 Height Indicator

AN/APN-209A(V)1 consists of:  
 AS-2595/APN-194(V) ..... (Antenna (2 ea)  
 RT-1115A/APN-209(V) .... Receiver Transmitter,  
 Height Indicator

AN/APN-209(V)2 consists of:  
 AS-2595/APN-194(V) ..... Antenna (2 ea)  
 ID-1917/APN-209(V) ..... Height Indicator  
 RT-1115A/APN-209(V) .... Receiver Transmitter  
 Height Indicator

AN/APN-209A(V)3 consists of:  
 AS-2595/APN-194(V) ..... Antenna (2 ea)  
 ID-1917/APN-209(V) ..... Height Indicator (2 ea)  
 RT-1115A/APN-209(V) .... Receiver Transmitter

AN/APN-209B(V)1 consists of:  
 AS-2595/APN-194(V) ..... Antenna(2 ea)  
 ID-1917A/APN-209 (V) ..... Height Indicator  
 (Green Light)  
 RT-1115B/APN-209(V) .... Receiver Transmitter  
 Height, Indicator

AN/APN-209B(V)2 consists of  
 AS-2595/APN-194(V) ..... Antenna (2 ea)  
 RT-1115B/APN-209( V) ... Receiver Transmitter,  
 Height Indicator  
 (Green Light)

TB 43-0123  
 AN/APN-209(V)  
 5841-01-245-9101  
 EIC: N/A  
 5841-01-245-9106  
 EIC: N/A  
 5841-01-247-1945  
 EIC: N/A

AN/APN-209B(V)3 consists of:  
 AS-2595/APN-194(V) .....Antenna (2 ea)  
 RT-1411/APN-209A(V).....Receiver Transmitter

Type No.	AVUM	AVIM
ANGSM-64B		X
AN/USM-281C		X
TK- 101/G		X
TK-101/G	X	
TS-3941/APN-209(V)		X
794 FM		X
8491B-50		X

AN/APN-209B(V)4 consists of:  
 AS-2595/APN-194(V) .....Antenna (2 ea)  
 RT-1411/APN-209A(V).....Receiver Transmitter  
 ID-1917A/APN-209A(V).....Height Indicator  
 (Green Light)

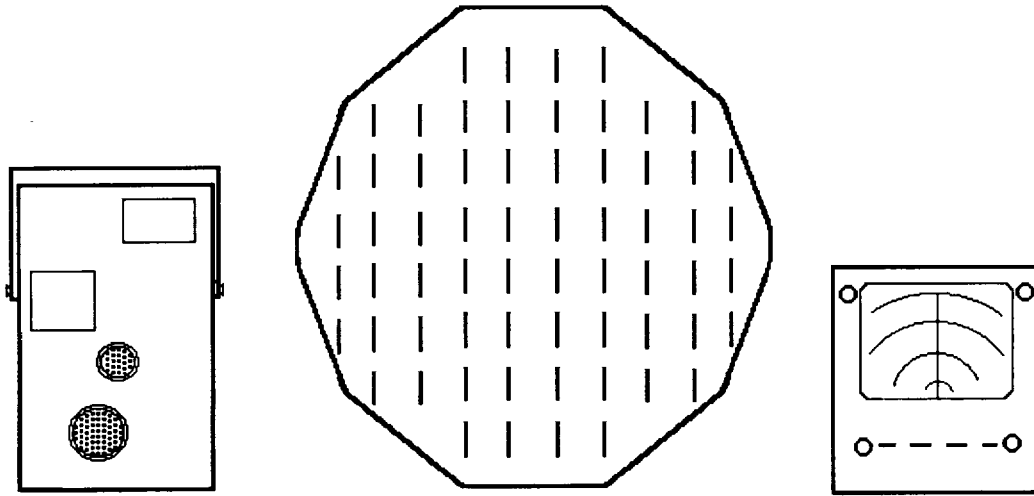
**3.Applicable Publications:**

TM 11-5841-284-23 & P (Pertains to ANAPN-209(V)) TM  
 11-5841-292-13 & P (Pertains to ANAPN-209A(V)1,  
 AN/APN-209A(V)2)  
 TM 11-5841-292-13 & P (Pertains to ANAPN-209A(V)1,  
 AN/APN-209A(V)2, ANAPN-209AM(V)3,  
 AN/APN-209B(V)1, ANAPN-209B(V)2,  
 AN/APN-209B(V)3

AN/APN-209B(V)5 consists of:  
 AS-2595/APN-194(V) .....Antenna (2 ea)  
 RT-1411/APM-209A(V). ....Receiver Transmitter

**2. Applicable Tools and Test Equipment:**

See Appendix B for nomenclature, NSN, etc.



AN/APN-215(V)1 Weather Radar Set

**1. Brief Description:** The AN/APN-215 provides continuous en route weather information relative to cloud formation, rainfall rate, thunderstorms and icing conditions. In addition, the system can be used for ground mapping, day or night, even under adverse weather conditions. Maximum range of the system is 240 nautical miles. Major components are:

- AS-3451/APN-214(V) .....Antenna
- IP-1376/APN-215(V).....Indicator
- MT-5203/APS-505.....Mount
- RT-1 352/APN-215(V) .....Receiver Transmitter

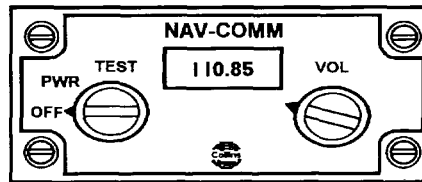
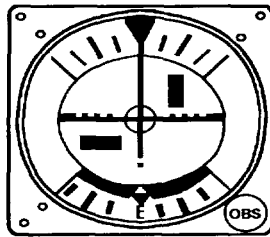
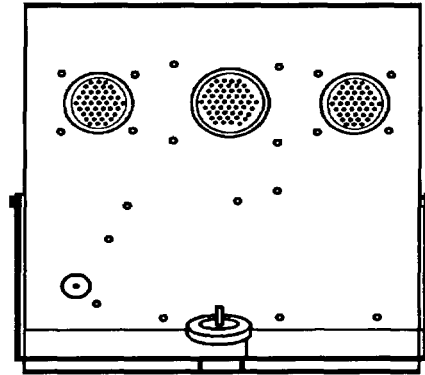
**2. Applicable Tools and Test Equipment:**  
 See Appendix B for nomenclature, NSN, etc.

Type No.	AVUM	AVIM
ANUSM-223		X
ANSM-281C		X
ME-441/U		X
MK-2061hAPN-215(V)		X
SG-944U	X	
TK-101/G		X
TK-1 00G		X
TS-488A/UP		

**3. Applicable Publications:**  
 TM 11-5841-289-13  
 TM 11-5841-289-20P



TB 43-0123  
 AN/ARN-82  
 5826-00-402-5318  
 JGO  
 AN/ARN-82A  
 5826-00-168-8699  
 JGV  
 AN/ARN-82B  
 5826-01-070-4066  
 JG5



AN/ARN-82 A/B Radio Set

**1. Brief Description:** Radio Set AN/ARN-82( ) receives very high frequency omnirange (VOR) and localizer signals in the frequency range of 108.00 to 117.95 megahertz (MHz) from a ground transmitter. The signals are demodulated and used to drive course selector indicators and radio magnetic indicators. Audio signals may also be received in the communications band from 118.00 to 126.95 MHz. Glide slope information is fed to the course indicator from a separate glide slope receiver which is controlled by the AN/ARN-82( ). The combination of the localizer capability and glide slope capability makes up an instrument landing system (ILS). The frequency range of the AN/ARN-82( ) is 108.00 to 126.95 MHz with 50 kHz channel spacing. The input power requirements are 1.0 amp at 28 volts DC and 6 volt amps at 28 volts AC 400 Hz. The AN/ARN-82A differs from the AN/ARN-82 in that it is not affected by rotor modulation. The AN/ARN-82B differs in that the ILS and DME capability (from associated receivers) has

been increased to twice as many channels by changing the channel spacing using the C-6873B/ARN-82 control.

The AN/ARN-82 consists of:

- C-6873/ARN-82 ..... Control
- ID-1347/ARN-82 ..... Course Indicator
- or
- IF-1347C/ARN-82
- MT-3600/ARN-82. .... Mount
- R-1388/ARN-82 ..... Receiver

The AN/ARN-82A consists of:

- C-6873/ARN-82 ..... Control
- or
- C-6873A/ARN-82
- ID-1347A/ARN-82 ..... Course Indicator
- or
- ID-1347B/ARN-82
- or
- ID-1347C/ARN-82

TB 43-0123  
 AN/ARN-82  
 5826-00402-5318  
 JGO  
 AN/ARN-82A  
 5826-00-1 68-8699  
 JGV  
 AN/ARN-82B  
 5826-01-070-4006  
 JG5

MT-3600/ARN-82..... Mount  
 R-1388A/ARN-82..... Receiver

The AN/ARN-82B consists of:

C-6873B/ARN-82 ..... Control  
 ID-1347A/ARN-82 ..... Course Indicator  
 or  
 ID-1347B/ARN-82  
 or  
 ID-1347C/ARN-82  
 MT-3600/ARN-82 ..... Mount  
 R-1388A/ARN-82 ..... Receiver

**NOTE**

The AN/ARN-82( ) is used with a variety of other components such as antennas, indicators, etc. to operate as a complete system. Refer to applicable aircraft configuration sheets for details.

**NOTE**

The ID-1347C/ARN-82 may be used with any model set provided the switch on the back of the indicator is set to the receiver being used.

**NOTES**

The AN/ARN-892 is used to test the AN/ARN-82 only. The AN/ARM-92A can be used to test both the AN /ARN-82 and AN/ARN-82A sets. The AN/ARM-92B can test the AN/ARN-82, AN/ARN-82A and AN/ARN-82B as well as the AN/ARN-123 and AN/ARN-82B as well as the AN/ARN-123 and R-1963 described elsewhere in this publication.

**3. Applicable Publications:**

- TM 11-5826-226-20
- TM 11-5826-226-20P-1
- TM 11-5826-226-34
- TM 11-5826-226-34P
- TM 11-5826-226-34P-1

**2. Applicable Tools and Test Equipment:**

See appendix B for nomenclature, NSN, etc.

Type No.	AVUM	AVIM
AN/ARM-92		X
AN/ARM-92A		X
AN/ARM-92B		X
AN/URM-25D	X	
AN/URM-105C		X
AN/URM-127		X
AN/URM-145		X
AN/USM-98A		X
AN/USM-107A		X
AN/USM-223		X
H-216/U		X
*MD-83A/ARN		X
ME-26D/U		X
ME-30A/U		X
TK-100/G		X
TK-101/G	X	
TK-105/G		X
TS-585-C/U		X
TS-723D/U		X
TS-1836B/U		X

\* Planned for replacement by the AN/ARM-180.

**(Illustration Not Available)**

*AN/ARN-83 Direction Finder Set*

**1. Brief Description:** The AN/ARN-83 is an airborne automatic direction finder (ADF) operating within the frequency range of 190 to 1750 kHz. The equipment provides both visual and aural facilities for ADF homing, radio range navigation and position fixing. It is used as a navigational radio aid to continuously and visually indicate the magnetic bearing of a radio station while providing aural reception of audio transmission from the station. The azimuth or bearing of a radio station is displayed on the aircraft radio magnetic indicators or other synchro-type bearing indicators. The input power requirement is 27.5 volts DC at 1.0 amp. Major components of the set are as follows:

AS-1863/ARN-83.....	Antenna
C-6899/ARN-83.....	Control
MT-3605/ARN-83.....	Mount
R01391/ARN-83.....	Receiver

**NOTE**

The AN/ARN-83 is used with a variety of other components such as sense antennas, course indicators, etc. to operate as a complete system. Refer to applicable aircraft configuration sheets for details.

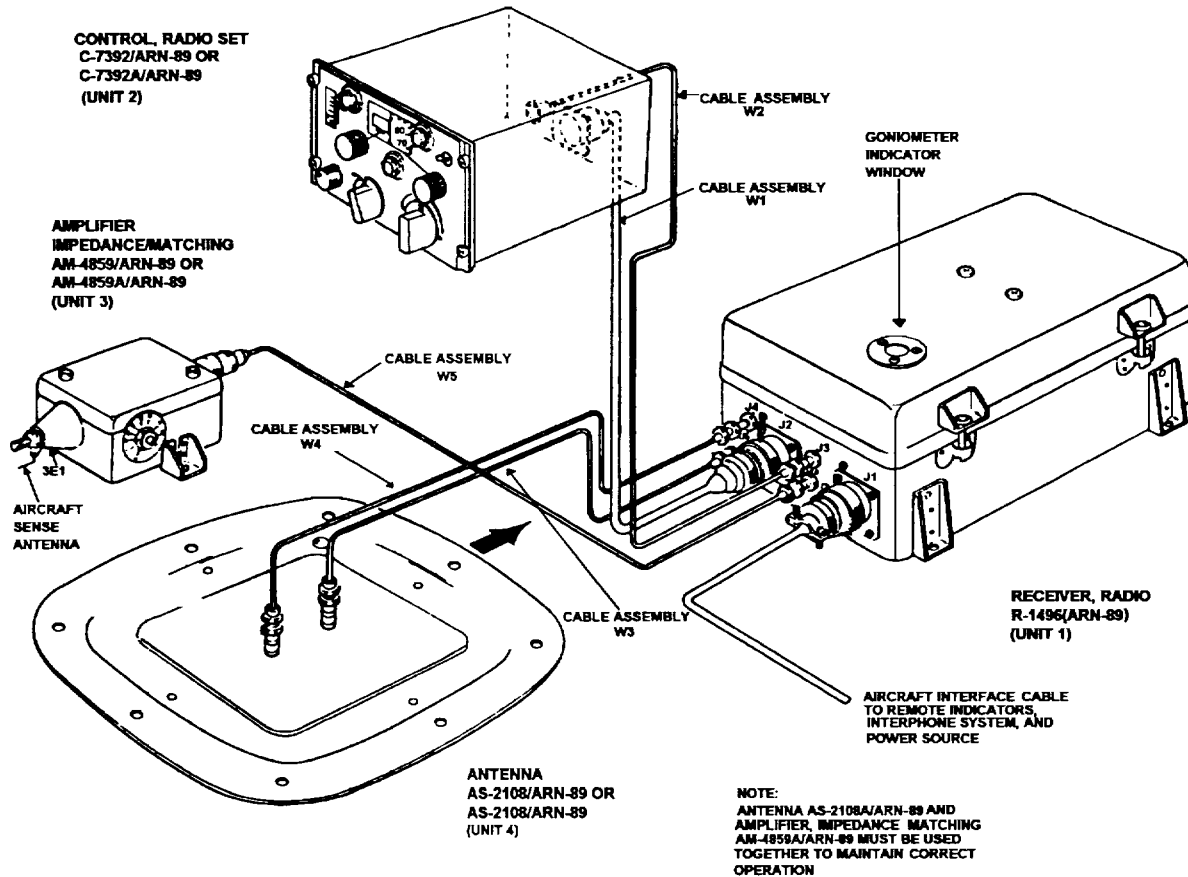
**2. Applicable Tools and Test Equipment:**  
 See appendix B for nomenclature, NSN, etc.

<i>Type No.</i>	<i>AVUM</i>	<i>AVIM</i>
AN/ARN-93		X
AN/URM-25D		X
AN/URM-105C	X	
AN/URM-127		X
AN/USM-207A		X
AN/USM-223		X
AN/USM-281A		X
ME-26D/U		X
TK-100/G	X	
TK-105/G		X
TS-617C/U		X
TS-1836B		X

**3. Applicable Publications:**

- TM 11-5826-225-12
- TM 11-5826-225-20P
- TM 11-5826-225-34P
- TM 11-5826-225-35

TB 43-0123  
 AN/ARN-89  
 5826-00-790-6453  
 JDE  
 AN/ARN-89A  
 5826-00-151-2685  
 JDG  
 AN/ARN-89B  
 5826-01-021-3289  
 JDH



*AN/ARN-89 ( ) Direction Finder Set*

**1. Brief Description:** The AN/ARN-89 ( ) is an airborne, low frequency direction finder which provides automatic or manual compass bearing on any radio signal within the frequency range of 100 to 3000 kHz. The inclusion of a beat frequency oscillator (BFO) enables the set to provide an indication of keyed or constant carrier continuous wave (CW) stations. The set is used in conjunction with a remote indicator to display the bearing of the aircraft relative to a selected radio transmission. Three modes of operation enable the system to function as an automatic direction finder, a manual direction finder or as an amplitude-modulated (AM) communication receiver. Input power requirement is 27.5 volts DC at 1.4 amp.

- The AN/ARN-89 consists of:
- AM-4859/ARN-89 ..... Amplifier
  - AS-2108/ARN-89 ..... Antenna
  - C-7392/ARN-89 ..... Control
  - R-1496/ARN-89 ..... Receiver
- The AN/ARN-89A consists of:
- AM-4859A/ARN-89 ..... Amplifier
  - AS-2108A/ARN-89 ..... Antenna
  - C-7392A/ARN-89 ..... Control
  - R-1496/ARN-89 ..... Receiver
- The AN/ARN-89B consists of:
- AM-4859A/ARN-89 ..... Amplifier
  - AS-2108A/ARN-89 ..... Antenna

TB 43-0123  
 AN/ARN-89  
 5826-00-790-6453  
 JDE  
 AN/ARN-89A  
 5826-00-151-2685  
 JDG  
 AN/ARN-89B  
 5826-01-021-3289  
 JDH

C-7392A/ARN-89..... Control  
 R-1496A/ARN-89..... Receiver

**NOTE**

For optimum performance, components of each model should be used together as a system.

**NOTE**

The AN/ARN-89( ) is used with a variety of other components such as sense antennas, course indicators, etc. to operate as a complete system. Refer to applicable aircraft configuration sheets for details.

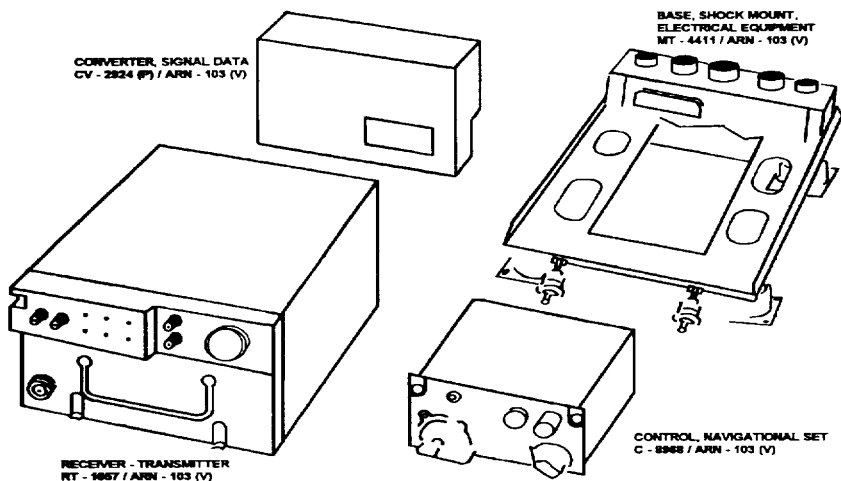
**2. Applicable Tools and Test Equipment:**  
 See appendix B for nomenclature, NSN, etc.

Type No. AVUM AVIM

AN/URM-25D			X
AN/URM-105C			X
Type No.	AVUM	AVIM	
AN/URM-127			X
AN/URM-145			X
AN/URM-98A			X
AN/USM-207A			X
AN/USM-223			X
AN/USM-281A			X
H-157/AIC			X
ME-26D/U			X
ME-30A/U			X
MK-994/AR			X
MK-F1191/AR			X
TK-100/G			X
TK-101/G	X		
TK-105/G			X

**3. Applicable Publications:**

- TM 11-5826-227-20
- TM 11-5826 -227-24
- TM 11-5826-227-34
- TM 11-5120-210-20P-2



AN/ARN-103( ) TACAN Navigation Set

**1. Brief Description:** The AN/ARN-102(V) is a 126 channel airborne UHF receiver-transmitter TACAN set operating in the frequency range of 1025 to 1150 MHz. It is used to: (1) determine the bearing (in degrees) of an aircraft with respect to a surface beacon transponder and provide appropriate analog output signals to indicate bearing course deviation, and to-from indications on the bearing distance-heading and horizontal situation indicators in the aircraft; (2) determine the slant range from an aircraft to a surface beacon transponder and provide appropriate analog output signals to cause the distance in nautical miles to be displayed on the bearing-distance-heading and horizontal situation indicators; (3) receive and detect coded identification signals from the surface beacon transponder and decode and convert these signals into an audio Morse code signal for use by the pilot in determining beacon identity; (4) determine and display slant range to one aircraft and transpond to as many as five aircraft. In this case, each aircraft must be equipped with a TACAN navigational set, and must be operating in the air-to-air mode (when performing this function, the navigational set does not provide bearing or beacon identity information concerning the transponding beacon); (5) interface with an external digital computer which can automatically control TACAN channel and mode of operation, and request and receiver TACAN digital range, bearing, and channel/mode data. The AN/ARN-103 consists of two configurations which denote variations in the functions of the CV-2924 Converter. In the AN/ARN-103(V)1 configuration, the converter has the capability to interface with an external computer in the AN/ASN-86 Inertial navigation Set. In the AN/ARN-103(V)2 configuration, the converter will not interface with the AN/ASN-86. A reversible nameplate is installed on the CV 2924 converter to inform the user whether or not it will interface with the AN/ASN-86. Power input requirements are 115 volts AC, 40 Hz, single phase at 375 watts, 26 volts

DC at 62 watts. Major components of the set are as follows:

C-8968/ARN-103(V) .....	Navigational Control
CV-2924(P)ARN-103(V) .....	Signal Data Converter
MT-4411/ARN-103(V) .....	Mounting
RT-1057/ARN-103(V) .....	Receiver-Transmitter

**NOTE**

The AN/ARN-103 is used with a variety of other components such as antennas, course and range indicators, etc. To operate as a complete system. Refer to applicable aircraft configuration sheets for details.

**2. Applicable Tools and Test Equipment:**

See appendix B for nomenclature, NSN, etc.

Type No.	AVUM	AVIM
AN/ARM-156		X
AN/USM-281A		X
H-104/G		X
ID-387/ARN		X
ME-26D/U		X
TK-100/G		X
TK-101/G	X	
TK-105/G		X
TS-3134/ARN-103		X

**3. Applicable Publications:**

- TM 11-5826-243-20
- TM 11-5826-243-20P
- TM 11-5826-243-34
- TM 11-5826-243-34P

(Illustration Not Available)

*AN/ARN-118 TACAN Navigation Set*

**1. Brief Description:** The AN/ARN-118 is a major component of the ANIASN-132 Integrated Inertial Navigation System (IINS). The position error of an inertial navigation system increases with time; therefore, a position reference sensor is used to update the inertial data, and thereby bound the time-growing position error. The IINS derives position updates from the TACAN range and bearing measurements. The TACAN determines the relative bearing of the aircraft from a selected TACAN around station and determines the distance or range of the station. The TACAN operates within 390 nautical miles of a TACAN ground station. Since the TACAN system operating limit is line of sight, the actual operating range is dependent on aircraft altitude. The TACAN system operates on a selected channel from 252 available channels. The 252 channels are equally divided into 126 x-channels and 126 y-channels with both x and y channels spaced at 1 MHz intervals. Upon being interrogated by the ANIARN-118, the ground station beacon transmits a signal. From this signal, the AN/ARN-118 computes the values of bearing

and distance for updating the inertial system information. The TACAN RT outputs are processed by the signal data converter for compatibility with the multiplex data buses. The TACAN RT also produces and transmits distance information when interrogated in the air-to-air operation by another TACAN equipped aircraft; however, this air-to-air mode precludes using the TACAN information to update the IINS. Major components of the AN/ARN-118 are:

- MT-491 5/A ..... Mount
- RT-1159/A..... Receiver-Transmitter

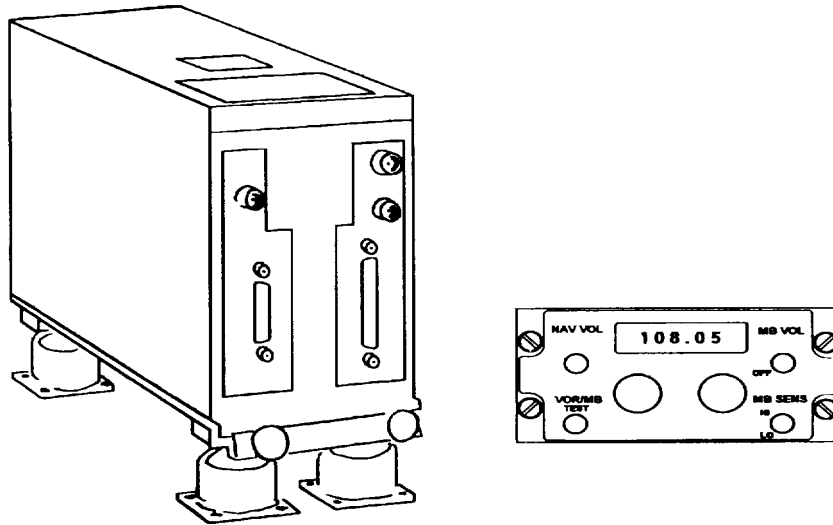
**2. Applicable Tools and Test Equipment:**

Not Applicable.

**3. Applicable Publications:**

- TM 11-5826-307-12
- TM 11-5826-307-20P

TB 43-0123  
 AN/ARN-1 23(V)  
 NSN: N/A  
 EIC: N/A  
 AN/ARN-123(V)1  
 5826-01-016-2762  
 JGT  
 AN/ARN-1 23(V)2  
 5826-01-016-2761  
 EIC: N/A  
 AN/ARN-123(V)3  
 5826-01-058-6800  
 EIC: N/A  
 AN/ARN-123(V)4  
 5826-01-070-4067  
 JGS



*AN/ARN-123(V) Radio Receiving Set*

**1. Basic Description:** Radio Receiving Set AN/ARN-123(V) receives automatic VHF omnirange (VOR) bearing, marker beacon (MB) position, localizer (LOC.) and glideslope (GS) information for enroute and terminal navigation and instrument landing system (ILS) approach and landing. The 200 channel VOR/LOC receiver section processes VOR and localizer signals over the frequency range of 108.00 to 117.95 MHz with a channel spacing of 50 kHz. It provides output for driving the vertical needle of a course deviation indicator, radio magnetic indicators and an audible identification of the complementary ground beacon. The 40 Channel GS receiver section processes glideslope signals over the frequency range of 329.15 to 335.00 MHz with a channel spacing of 150 MHz. It provides outputs for driving the horizontal needle of a course deviation indicator. The marker beacon receiver processes 75 MHz marker beacon signals and converts them into an output that drives

a single marker beacon lamp system (or optional 3 lamp system) and provides audible beacon identification. The input power requirements are 28 volts DC and 26 volts AC, 400 Hz. The following three configurations of the AN/ARN-123(V) are used by the Army:

- AN/ARN-123(V)1:
- C-10048/ARN-123(V) ..... Control (Red Lighting)
  - MT-4834/ARN-123(V) ..... Mount
  - R-2023/ARN-123(V) ..... Receiver
- AN/ARN-123(V)3:
- C-10048/ARN-123(V) ..... Control
  - MT-4980/ARN-123(V) ..... Mount (Low Profile)
  - R-2023/ARN-123(V) ..... Receiver



TB 43-0123  
 AN/ARN-123(V)  
 NSN: N/A  
 EIC: N/A  
 AN/ARN-123(V)1  
 5826-01-016-2762  
 JGT  
 AN/ARN-123(V)2  
 5826-01-016-2761  
 EIC: N/A  
 AN/ARN-123(V)3  
 5826-01-058-6800  
 EIC: N/A  
 AN/ARN-123(V)4  
 5826-01-080-4067  
 JGS

AN/ARN-123(V)4:  
 C-10048/ARN-123(V) ..... Control  
 MT-4834/ARN-123(V)..... Receiver  
 R-2139/ARN-123(V) ..... Mount

**NOTE**

The AN/ARN-123(V) is used with a variety of other components such as antennas, course indicators, radio magnetic indicators, etc. to operate as a complete system. Refer to applicable aircraft configuration sheets for details.

**NOTE**

If ID-1347C/ARN-82 is used with the AN/ARN-123(V), the switch on the back of the indicator must be set to the R-1388A/ARN-82 position.

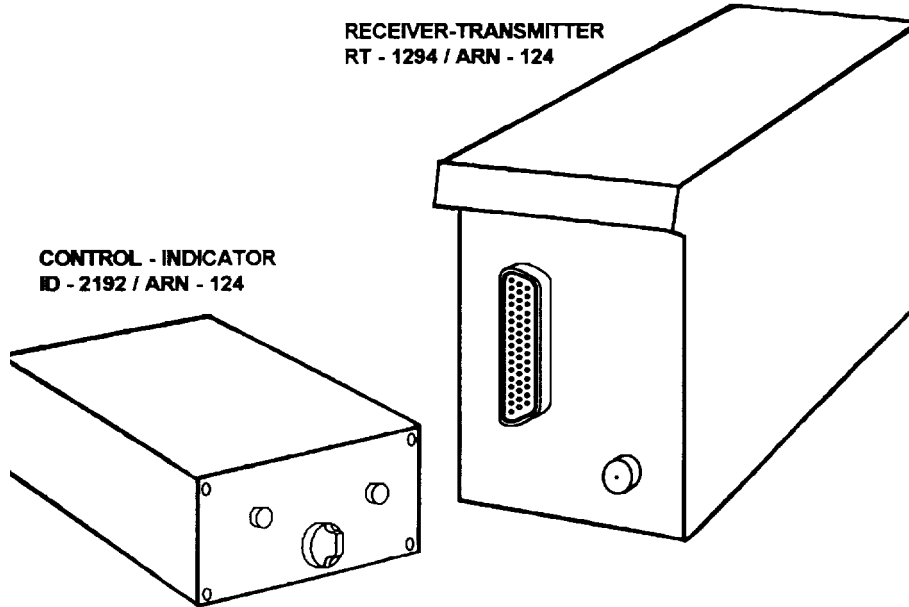
**2. Applicable Tools and Test Equipment:**

See appendix B for nomenclature, NSN, etc.:

<i>Type No.</i>	<i>AVUM</i>	<i>AVIM</i>
AN/ARM-5		X
AN/ARM-69		X
AN/ARM-92B		X
AN/URM-127		X
AN/USM-44B		X
AN/USM-207		X
AN/USM-223		X
BC-376	X	
MD-83A/ARN		X
SG-1A/ARN		X
SG-13/ARN	X	
TK-100/G		X
TK-101/G	X	
TS-585		X

**3. Applicable Publications:**

TM 11-5826-258-20P  
 TM 11-5826-258-24  
 TM 11-1520-210-20P-2



*AN/ARN-124 Distance Measuring Equipment (DME) Set*

**1. Basic Description:** The AN/ARN-124 will provide the slant distance from the aircraft to the ground station to which it is tuned. It has 200 channels covering a frequency range of 962-1213 MHz and is remotely tuned by the control of a VOR set which automatically selects the proper VOR/DME channel frequency pairings required for en route navigation and ILS approaches. The AN/ARN-124 contains a time totalizing meter and an in-flight, self-test function to check ranging circuits for distance accuracy by displaying a predetermined distance readout. Major components are:

- ID-2192/ARN-124 ..... Control-Indicator
- MT6034/ARN124 ..... Mount
- RT-1294/ARN124 ..... Receiver-Transmitter

**NOTE**

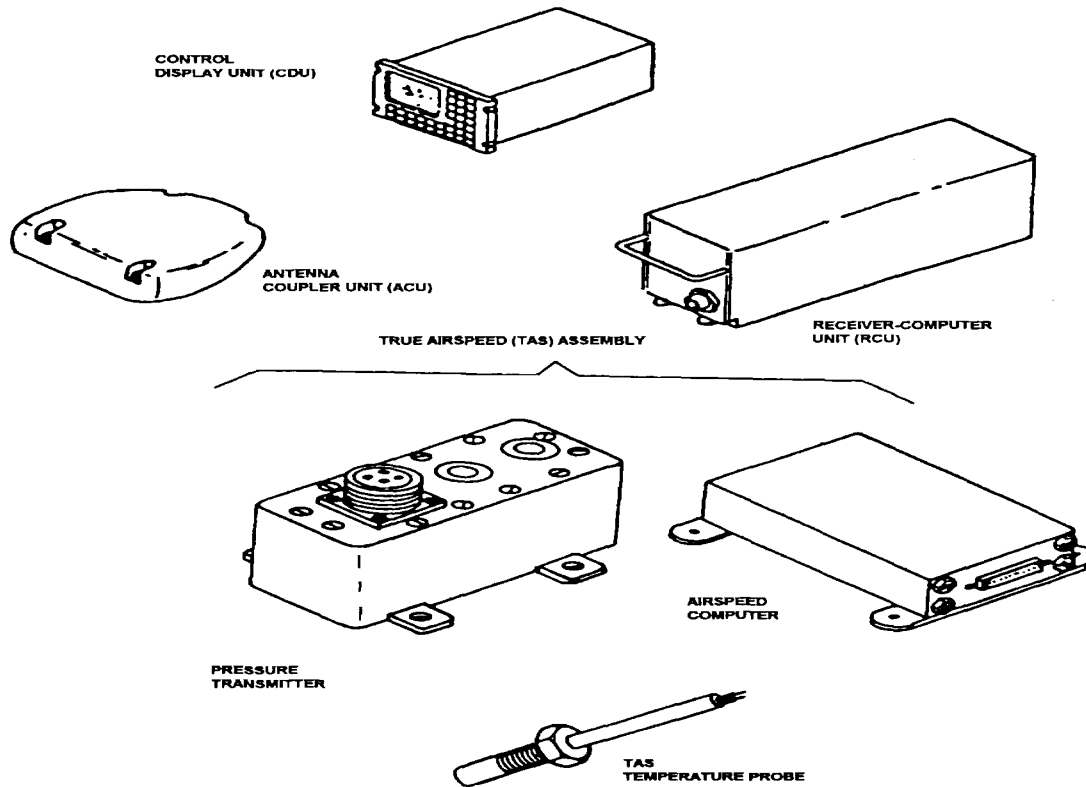
The AN/ARN-124 is used with a variety of other components such as antennas, indicator, etc., to operate a complete system. Refer to configuration sheets for details.

**2. Applicable Tools and Test Equipment:** See Appendix B for nomenclature, NSN, etc.

<i>Type No.</i>	<i>AVUM</i>	<i>AVIM</i>
AN/URM-195C	X	
TK-101/G	X	

**3. Applicable Publications:**

TM 11-5826-300-20



AN/ARN-1148 Omega Navigational Set

**1. Brief Description:** The ONS consists of the control-display unit (CDU), receiver-computer unit (RCU), antenna-coupler unit (ACU), and the true air speed (TAS) assembly. Cooling of the equipment is accomplished by convection and conduction (no blowers are used). Multiconductor interconnecting cables transfer signals and power between the equipment components. Major components are:

**2. Applicable Tools and Test Equipment:** See Appendix B for nomenclature, NSN, etc.

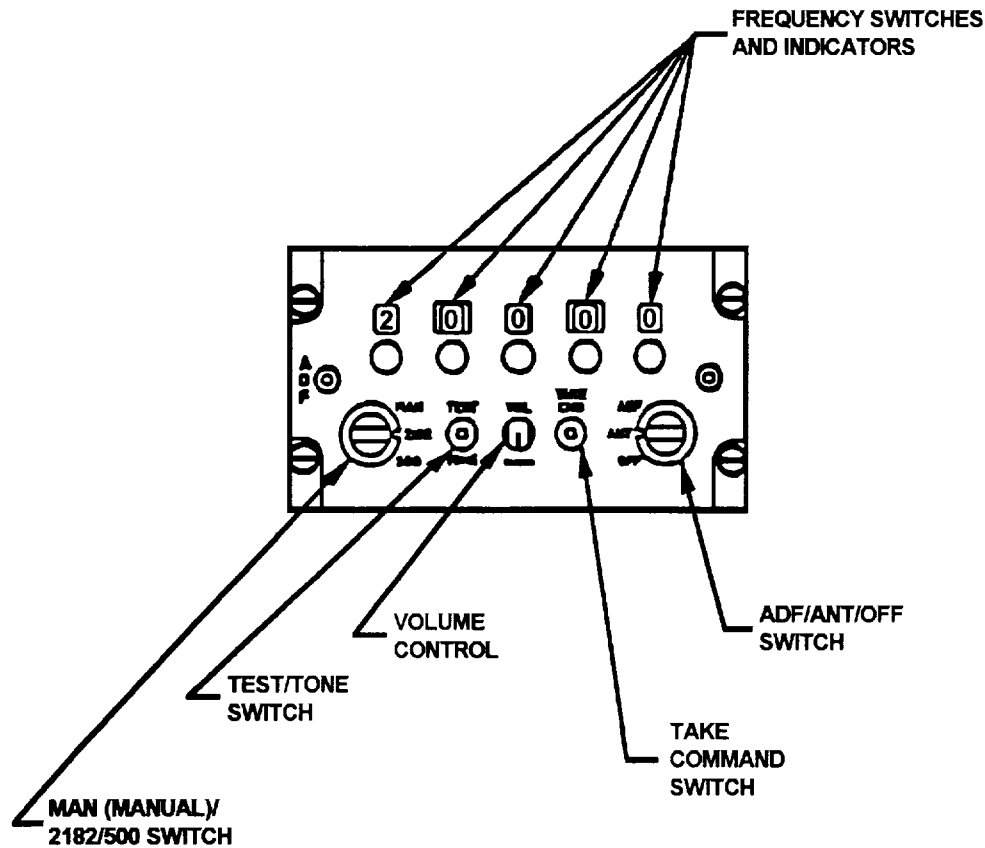
Type No. TK-101/G	AVUM X	AVIM
----------------------	-----------	------

**3. Applicable Publications:**  
 TM 11-5826-306-12  
 TM 11-5826-306-20P

AS-3879.....	Antenna-Coupler
CP-1828/ARN-148.....	Computer, Airspeed
TAS.....	Probe, Temperature
R-2356/ARN-148.....	Receiver-Computer
T-1517/ARN-148.....	Transmitter Presser
C-11839/ARN-148.....	Unit, Control-Display

**NOTE**

The items are part of the end items, but are removed and separately packaged for transportation or shipment. As part of the end item, these items must be with the end item whenever it is issued or transferred between property accounts.



AN/ARN-149 Automatic Direction Finder System

**1. Brief Description:** The AN/ARN-149(V)3 Automatic Direction Finder system receives frequencies from 100 to 2199.5 kHz and indicates bearing information to the transmitting station being received. This frequency range includes the standard commercial broadcast AM stations (550 to 1610 kHz) and the nondirectional beacons (NDB) (190 to 550 kHz range). The broadcast stations are required to identify themselves periodically and are normally located in known population areas; therefore, they are valuable as a navigation tool. The low power NDB has a limited range of 15 to 20 miles. Higher power NDB are used as outer markers at some locations and generally carry transcribed weather information or advisories. Compass locators transmit 2-letter ID groups. The outer marker transmits the first two characters, and the middle locator transmits the last two letters of the localizer ID group. Control of the AN/ARN-149(V)3 is provided by the C-12192/ARN-149 control panel. The AN/ARN-149(V)3 is comprised of the following components:

AS-3933/ARN-149..... Combined sense and loop antenna

**2. Applicable Tools and Test Equipment:**

**3. Applicable Publications:**

TM 11-1520-210-23

- R-2382/ARN-149..... Receiver assembly
- MT-6583/ARN-149..... Mount
- C-12192/ARN-149..... ADF control panel

**(Illustration Not Available)**

*AN/ASN-33 Navigation Computer Set*

**1. Brief Description:** The AN/ASN-33 Navigational Computer Set, when used with the CU-865/ASN Indicator Coupler, integrates the functions of the aircraft's VOR Receiver, Magnetic Compass System, and Glide Slope Receiver to provide the pilot with continuously computed and displayed navigational flight data. The input power requirement is 115 volts AC, 400 Hz at 700 watts. The major components of the set are as follows:

- AM-2853/ASN..... Amplifier Assembly (Instrument)
- CN-708/ASN..... Displacement Gyroscope (Vertical)
- CN-709/ASN..... Rate Gyroscope (Sensor)
- CP-583/ASN..... Navigational Computer (Steering)
- ID-882/ASN ..... Attitude Navigation Indicator  
(Horizontal)
- ID-883/ASN ..... Course Indicator
- MT-2416/ASN..... Mount

The following equipments are used in conjunction with, but are not part of, the AN/ASN-33:

- CU-865/ASN..... Indicator Coupler (VOR)
- MT-2417/ASN..... Mount

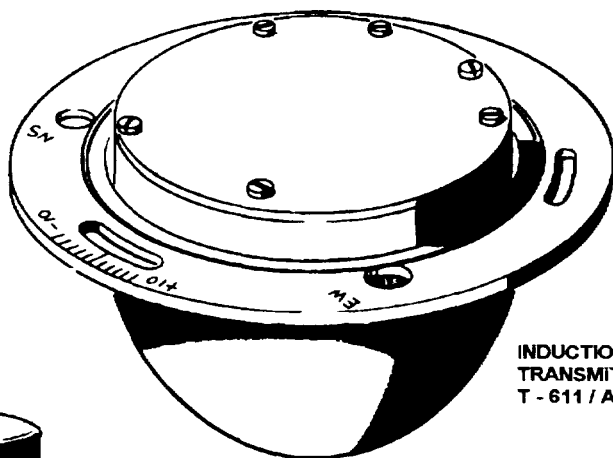
**2. Applicable Tools and Test Equipment:**

See appendix B for nomenclature, NSN, etc.

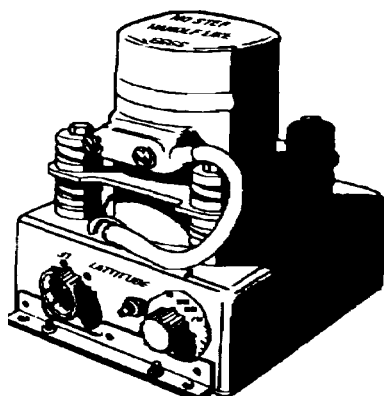
<i>Type No.</i>	<i>AVUM</i>	<i>AVIM</i>
AN/URM-105C		X
AN/USM-223		X
ME-26B/U		X
ME-221/U		X
ME-30B/U		X
ME-221/U		X
MK-570A/ASN		X
SM-253/ASM-57		X
SM-254/ASM-57		X
TK-100/G		X
TK-101/G	X	
TK-105/G		X
TL-675		X
Stopwatch		X

**3. Applicable Publications:**

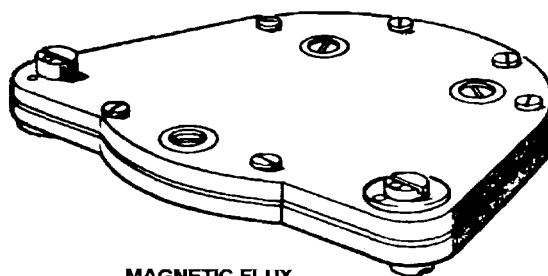
- TM 11-5826-218-20P
- TM 11-5826-218-12
- TM 11-5826-218-34P
- TM 11-5826-218-35



INDUCTION COMPASS  
 TRANSMITTER  
 T - 611 / ASN



DIRECTIONAL GYRO  
 CN - 998B / ASN - 43



MAGNETIC FLUX  
 COMPENSATOR  
 CN - 405 / ASN

**1. Brief Description:** The AN/ASN-43( ) Gyromagnetic Compass Set provides accurate heading information, referenced to a free directional gyro heading when operated in the DG mode (free gyro) or slaved to the earth's magnetic field when operated in the MAG mode (magnetically slaved). It is usable in both fixed and rotary wing aircraft up to altitudes of 50,000 feet. The CN-998B/ASN-43 Directional Gyro, part of the AN/ASN-43A system, is an improved version which incorporates a drift bias function and circuit packaging modifications to provide improved reliability under environmental exposures. The C-8021/ASN-75 is used with the AN/ASN-43 Gyro Compass System in the UH-60 and CH47D Aircraft. Major components of both configurations of the AN/ASN-43( ) are:

AN/ASN-43 consists of:

- CN-405/ASN..... Compensator
- CN-998/ASN43..... Directional Gyro
- T-611/ASN..... Compass Transmitter

AN/ASN-43A consists of:

- CN-405/ASN..... Compensator
- CN-998B/ASN-43..... Directional Gyro
- T-611/ASN..... Compass Transmitter
- C-6347/ASN..... Control Compass

**NOTE**

The AN/ASN-43( ) is used with a variety of other components such as amplifiers, controls, indicators, etc., to operate as complete system. Refer to applicable aircraft configuration sheets for details. The C-8021( )/ASN-75 is used with the AN/ASN43 Gyro Compass system in the UH-60 and CH47D aircraft.

**2. Applicable Tools and Test Equipment:**

See appendix B for nomenclature, NSN, etc.

Type No.	AVUM	AVIM
AN/ASM-339(V)1		X
AN/URM-105C	X	
AN/USM-223		X
AN/USM-281A		X
ME-30( )/U		X
ME-223/U		X
ME-227/U		X
MK-1040A/ASN		X
MK-4042A		X
TK-100/G		X
TK-101/G	X	
TK-105/G		X

Type No.	AVUM	AVIM
TS-1836D/U		X
*TS-2644/ASN		X
**TS-2645/ASN		X
ZM-4B/U		X
Stopwatch		X

\*Used with ID-998/ASN

\*\*Used with ID-1351/A

**3. Applicable Publications:**

TM 11-6605-202-12  
TM 11-6605-202-24P  
TM 11-6605-202-34

**II-B-21**

**(Illustration Not Available)**

*AN/ASN-76 Attitude-Heading Reference Set*

**1. Brief Description:** The AN/ASN-76 Attitude-Heading Reference Set provides roll and pitch information for attitude control and indication, and accurate directional information for aircraft navigation at all latitudes of the earth. As a heading reference, three modes of system operation are used: Directional gyro (DG) mode, slaved (SLAVED) mode, and compass (COMP) mode. Heading reference signals are provided by the DT-173/AJN during the SLAVED or COMP mode of operation. Power input requirement is 115 volts AC, 400 Hz, 3 phase at 125 watts. The major components of this system are as follow:

AM-4682/ASN-76 .....	Electronic Control Amplifier
C-8099/ASN-76 .....	Reference Set Controller
CN-1151/ASN-76.....	Displacement Gyroscope
MT-3870/ A.....	Mount

The following equipment is used with, but is not issued as part of the ANIASN-76:

DT-173/AJN Magnetic Azimuth Detector:	
CN-1072/AJN .....	Detector-Magnetic Compensator (Thin Flux Valve)
DT-309/AJN.....	Azimuth Detector (Thin Compensator)
or	
DT-376/ASN .....	Azimuth Detector

**2. Applicable Tools and Test Equipment:**

See appendix B for nomenclature, NSN, etc.

<i>Type No.</i>	<i>AVUM</i>	<i>AVIM</i>
AN/ASM-297		X
AN/ASM-298		X
AN/ASM-299	X	
AN/URM-105	X	
AN/USM-98		X
AN/USM-223		X
C-8099/ASN-76		X
ID-1450/ASN		X
ME-30A/U		X
ME-223/U		X
MX4042/ASW-12		X
SM486/ASN		X
TG-168/ASN-76		X
TK-100/G		X
TK-101G	X	
TK-105/G		X
ZM-16/U		X
A-2052		X
Stopwatch		X

**3. Applicable Publications:**

- TM 11-6615245-20
- TM 11-6615-245-34P
- TM 11-6615-245-35



**(Illustration Not Available)**

*AN/ASN-86 Inertial Navigation Set*

**1. Brief Description:** The AN/ASN-86 Inertial Navigation Set is a self contained navigation and attitude-reference system that is totally independent of aircraft maneuvers, weather conditions and terrain. The AN/ASN-86 permits flight to a predetermined surveillance area under instrument flight rules (IFR) conditions. Simultaneously the navigation set provides a visual display of present position data in universal transverse macerator (UTM) coordinates or conventional latitude coordinates during all phases of the flight. When a suspected target is picked up, the AN/ASN-86 will display and/or freeze the geographical coordinates of the aircraft's position. The input power requirements are 28 volts DC at 26 amps and 115 volts AC, 400 Hz at 510 watts initial warm-up requires 1350 watts for a maximum .05 minute). The major components of this set are as follows:

- CP-941/ASN-86..... Navigational Computer
- ID-1579/ASN-86 ..... Control-Indicator
- MT-4074/ASN-86..... Mount (for MX-8123/ASN-86)  
or
- MT-4447ASN-86..... Mount
- MT-4075/ASN-86..... Mount (for CP-941/ASN-86)
- MX-8123/ASN-86 ..... Gyro Stabilized Platform
- Type AVUM AVIM

PL-1306/U		X
TK-90/G	X	X
TK-100/G		X
TK-101/G	X	
TK-105/G		X
1801A		X
1821A		X
8802B		X
8806B		X

**NOTE**

Refer to TM 11-5826-245-34P for additional tools and test equipment not having part numbers or AN type designators.

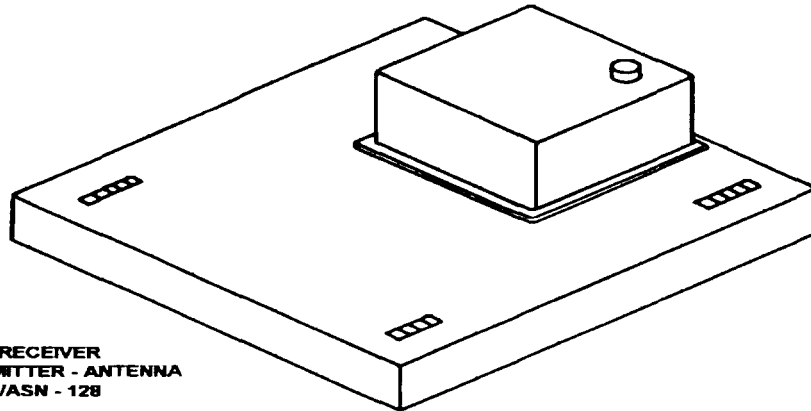
**3. Applicable Publications:**

- TM 11-5826-245-20
- TM 11-5826-245-20P
- TM 11-5826-245-34/1
- TM 11-5826-245-34/2
- TM 11-5826-245-34/3
- TM 11-5826-245-34P

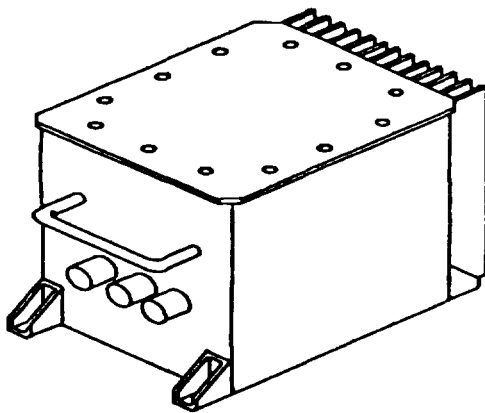
**2. Applicable Tools and Test Equipment:**

See appendix B for nomenclature, NSN, etc.

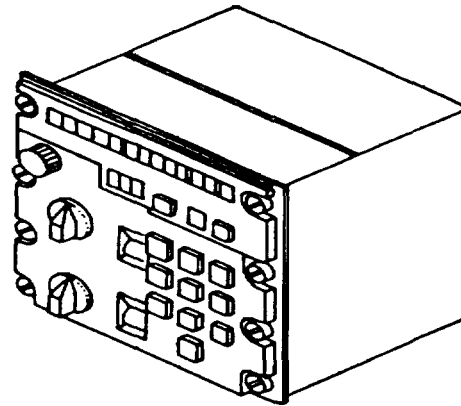
<i>Type No.</i>	<i>AVUM</i>	<i>AVIM</i>
AN/ASM-385		X
AN/ASM-386		X
AN/USA-34	X	X
AN/USM-207A		X
AN/USM-223		X
AN/USM-281A		X
AN/USM-365(V)1		X
ME-202A/U		X
ME-223AIU		X
MT-4145/ASN-86		X
MX-8474/ASN-86		X



**RADAR RECEIVER  
 TRANSMITTER - ANTENNA  
 RT-1193/ASN - 128  
 (UNIT 2)**



**RADAR SIGNAL DATA CONVERTER  
 CV - 3338/ASN - 128  
 (UNIT 1)**



**COMPUTER DISPLAY UNIT  
 CP - 1252/ASN - 128  
 (UNIT 3)**

*AN/ASN-128 Doppler Navigation Set*

**1. Brief Description:** Doppler Navigation Set AN/ASN-128 is a lightweight airborne self-contained navigational system which determines the three orthogonal components of aircraft velocity from measurements of the Doppler frequency shift. It computes UTM to present position LAT/LONG as well as other navigational data such as ground speed, track angle, bearing and distance to destination, etc. The set is used with the aircraft's standard heading and attitude reference system and will provide a CEP in present position of 2% of distance traveled. Frequency range of the AN/ASN-128 is 13.23 to 13.4 GHz and power requirements are 27.5 volts DC at 3.6 amps maximum. Major components of the set are:

- CP-1252( )/ASN-128..... Computer-Display Unit
- CV-3338( )/ASN-128..... Signal Data Converter
- RT-1193( )/ASN-128..... Receiver-Transmitter-Antenna

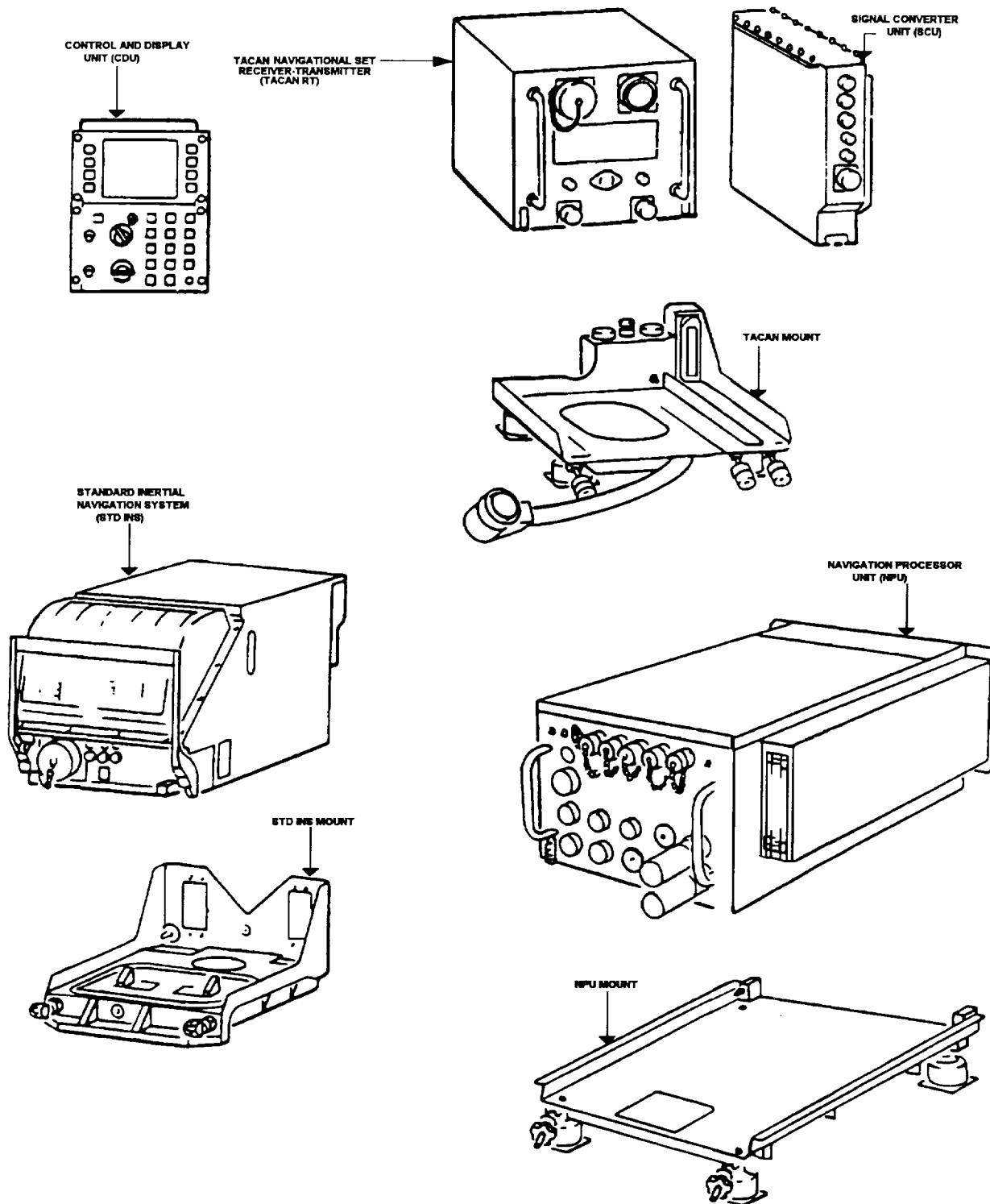
**2. Applicable Tools and Test Equipment:**

See appendix B for nomenclature, NSN, etc.

<i>Type No.</i>	<i>AVUM</i>	<i>AVIM</i>
TK-101/G	X	

**3. Applicable Publications:**

- TM 11-5841-281-12
- TM 11-5841-281-20P



*AN/ASN-132 Integrated Inertial Navigation System*

**1. Brief Description:** The Integrated Inertial Navigation System (IINS) AN/ASN-132 provides self contained navigation capability to U.S. Army EH-60 aircraft for short and/or long-range missions and can be updated wherever TACAN navigational facilities exist or manually without TACAN data. The IINS employs a serial bus data for data interchange within the IINS and with the external mission system computer. This system also interfaces with the aircraft flight instruments and altimeter/encoder AAU-32A. Navigation sensor by path determination data is processed by the Navigation Processor Unit (NPU). The IINS control and data entry is accomplished by means of the Control and Display Unit (CDU). Major components of this set are:

**2. Applicable Tools and Test Equipment:**

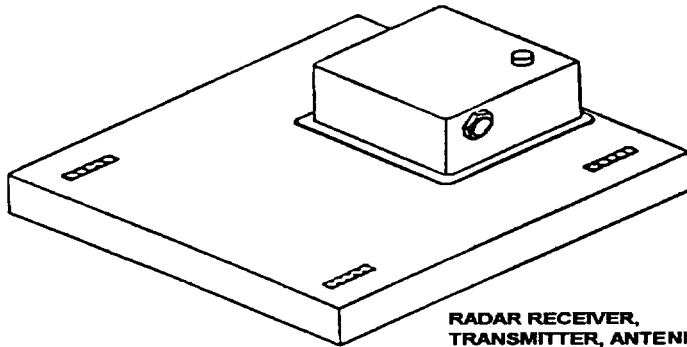
AN/UYK-64(V)2 .....	Navigation Processor Unit
CN-158/ASN.....	Standard Inertial Navigation System
CN-11097/ASN-132.....	Control Indicator
CV-3739/ASN-132(V).....	Signal Data Converter
MT4915/A .....	Mount (RT-1159A)
PN105749.....	Mounting Rack (AN/UYK-64(V)2)
PN880100-1 .....	Mount (CN-1158/ASN)
RT-1159A/ARN-118 .....	Receiver-Transmitter

See appendix B for nomenclature, NSN, etc.

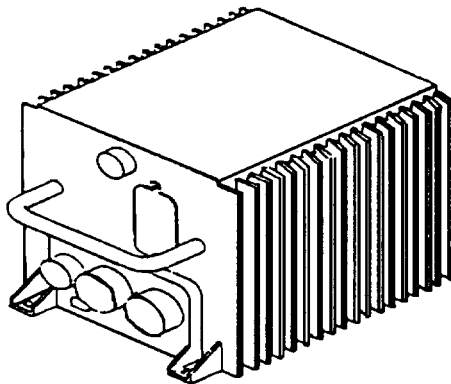
<i>Type No.</i>	<i>AVUM</i>	<i>AVIM</i>
AN/NSM-223	X	X
TK-101/G	X	
TK-105/G		X
Direct Support Test Setup		X

**3. Applicable Publications:**

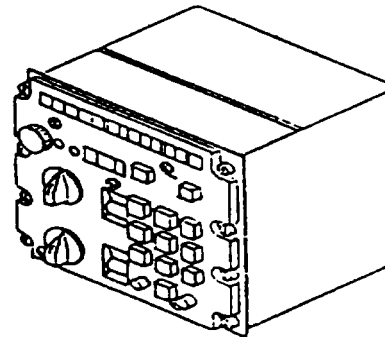
- TM 11-5826302-12
- TM 11-5826-302-20P



**RADAR RECEIVER,  
 TRANSMITTER, ANTENNA  
 RT, 1193/ASN - 128  
 (UNIT 2)**



**CONVERTER, COMPUTER,  
 SIGNAL DATA  
 CV-3669/ASN - 137  
 (UNIT 1)**



**CONTROL, DISPLAY  
 C, 10883/ASN - 137  
 (UNIT 3)**

*AN/ASN-137 Doppler Navigational Set*

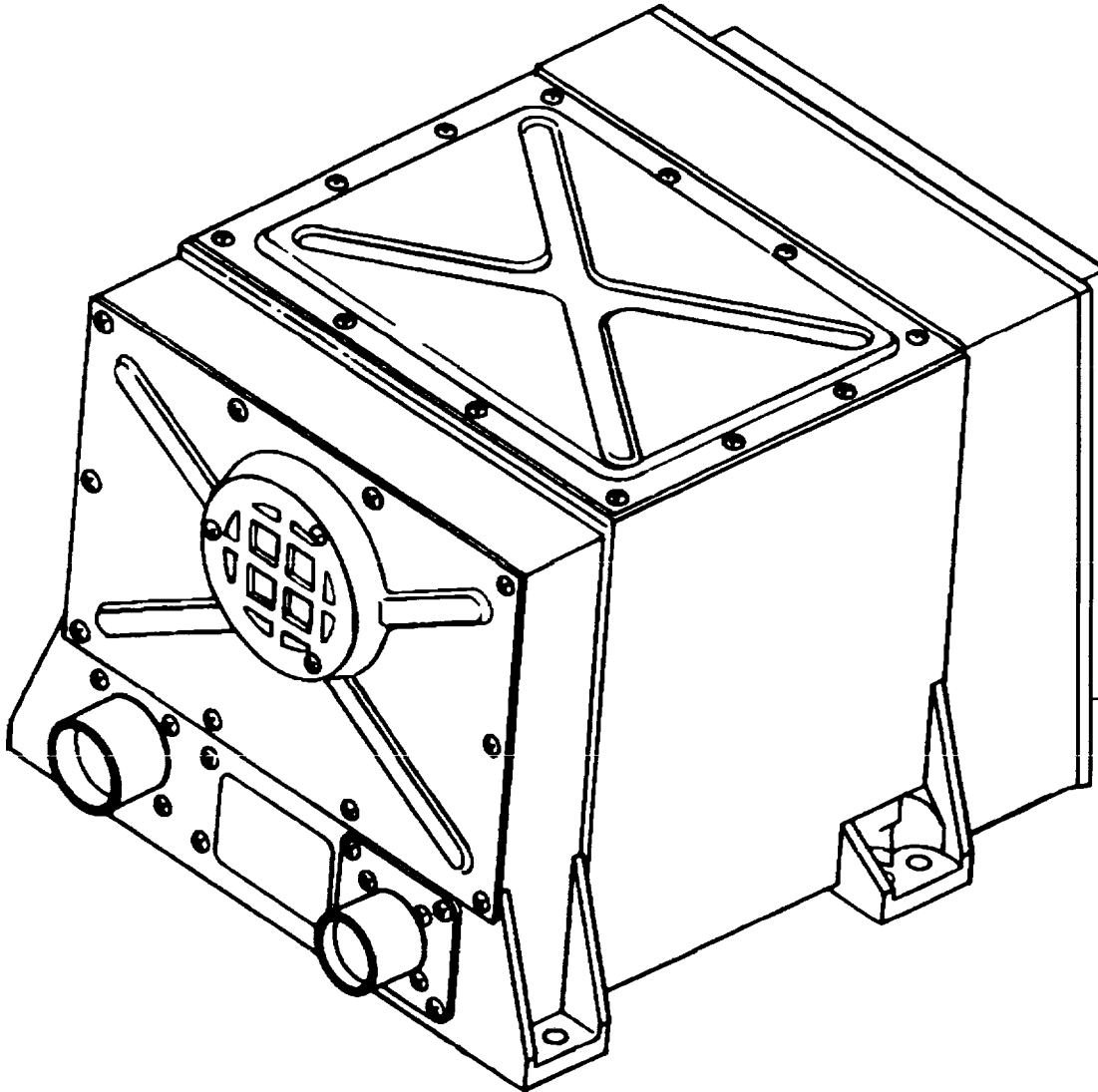
**1. Brief Description:** The AN/ASN-137, Doppler Navigation Set (DNS), is a remote DNS that provide position data in the UTM coordinate system and also in LAT/LONG; the operator can select either coordinate system for displaying present position, destinations and targets-of-opportunity. The operator can also select for display ground speed and track angle, cross track deviation and track angle error, distance, bearing and time-to-go to 1 destination, wind speed and direction (if true air speed is available) and UTM spheroid and magnetic variation. Position, velocity and steering data are also provided in digital form for use in systems and equipments external to the DNS. Frequency range is 13.25 to 13.4 GHz and power requirements are 27.5 volts DC at 3.6 amps maximum. The major components of the system are as follows:

C-10883/ASN-137 .....	Control Display Unit
CV-3669/ASN-137 .....	Signal Data Converter
RT-1193/ASN-128 .....	Receiver-Transmitter-Antenna

**2. Applicable Tools and Test Equipment:**

**3. Applicable Publications:**

- TM 11-5841-293-12
- TM 11-5841-293-20P

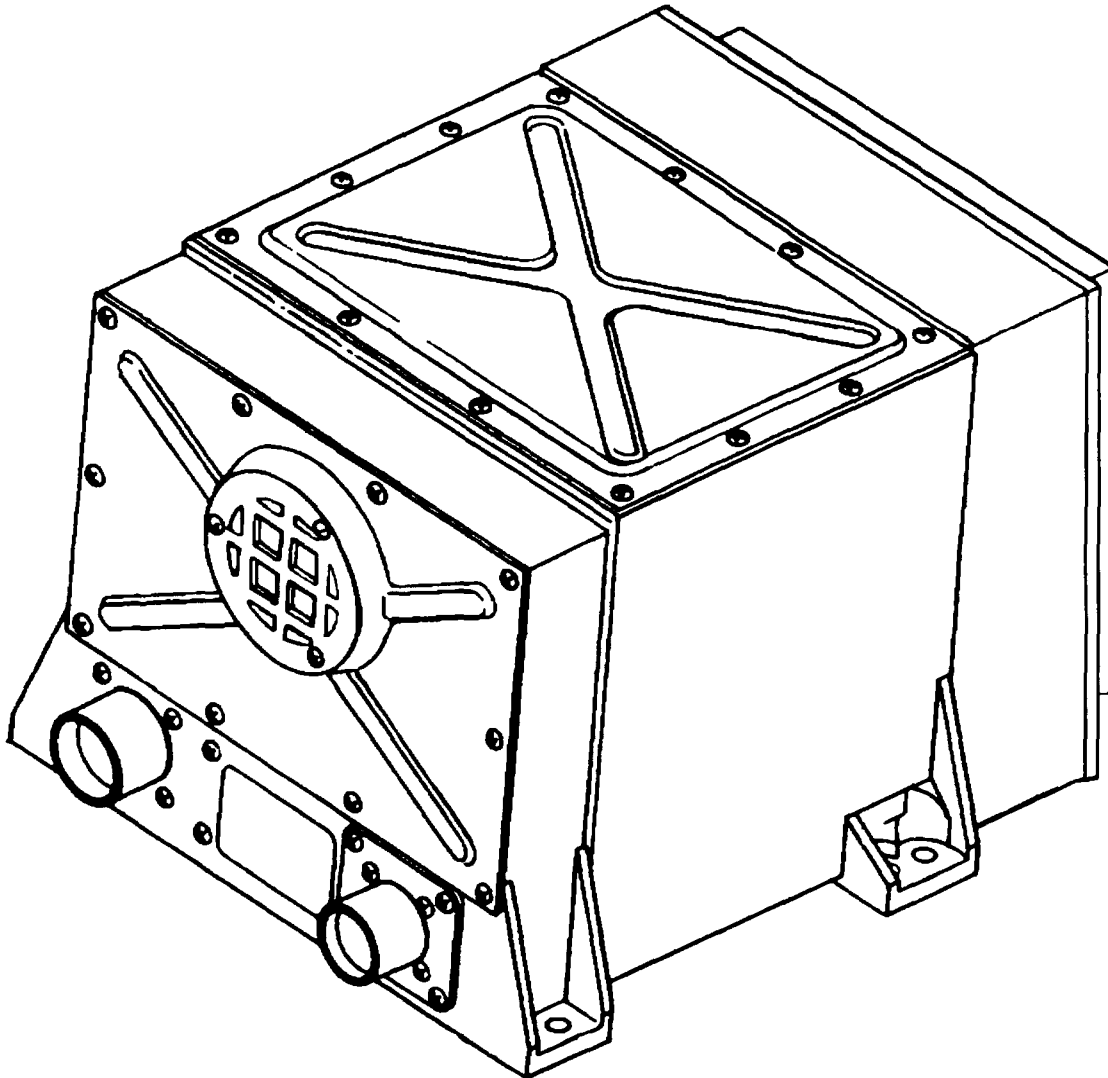


*AN/ASN-142 Heading Reference System*

**1. Brief Description:** The AN/ASN-142 is an inertial heading reference system that provides aircraft pitch, roll, heading, velocity, angular rate and acceleration data to a related fire controls system. The AN/ASN-142 also augments the capabilities of the AN/ASN-128 Doppler Navigation System. The primary navigator for the AN/ASN-142 is the OH-58D.

**2. Applicable Tools and Test Equipment:**  
Not applicable

**3. Applicable Publications:**  
Not applicable.



*AN/ASN-143 Heading Reference System*

**1. Brief Description:** The AN/ASN-143 is an inertial heading reference system that provides aircraft pitch, roll, heading, velocity, angular rate and acceleration data to a related fire controls system. The AN/ASN-143 also augments the capabilities of the AN/ASN-128 Doppler Navigation System.

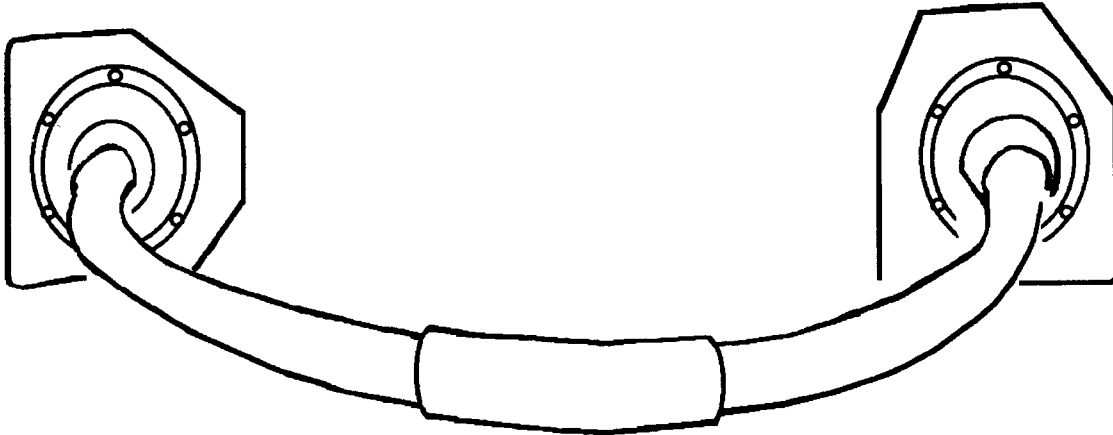
**3. Applicable Publications:**

TM 11-6605-300-35  
TM 11-6605-300-23P

**2. Applicable Tools and Test Equipment:**

See Appendix B for Nomenclature, NSN, etc.

Type No.	AVUM	AVIM
5180003235114	X	X



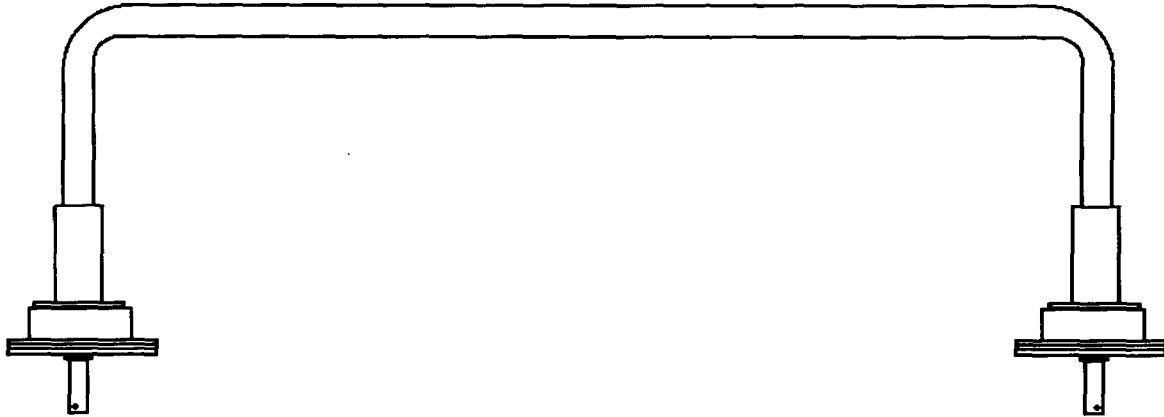
*AS-1304/ARN Antenna*

**1. Brief Description:** The AS1304/ARN is a horizontal polarized antenna consisting of two approximately semicircular center fed half-loops and a cable harness. This antenna has been designed for the reception of VOR and LS signals. It has a VSWR of less than 5 to 1. There are two different type of cables (DM N4-4.3) available depending on the type aircraft in which the antenna is to be installed. The AS-1304/ARN has a commercial designation of DM N4-4 which consists of two DM N4-4.1 half-loops.

**2. Applicable Tools and Test Equipment:**  
Not applicable.

**3. Applicable Publications:**  
TM 11-1510-210-23



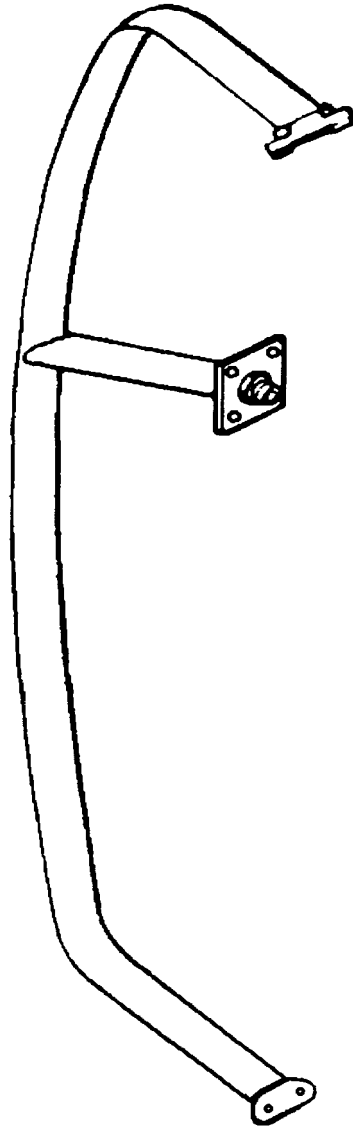


*AS-1922/ARC Antenna*

**1. Brief Description:** The AS-1922/ARC (Collins 637A-2) is a FM Homing Antenna used in conjunction with FM radio communication sets. This antenna is commonly referred to as the "Towel Rack" due to its physical resemblance to this standard fixture.

**2. Applicable Tools and Test Equipment:**  
Not applicable.

**3. Applicable Publications:**  
Not applicable.



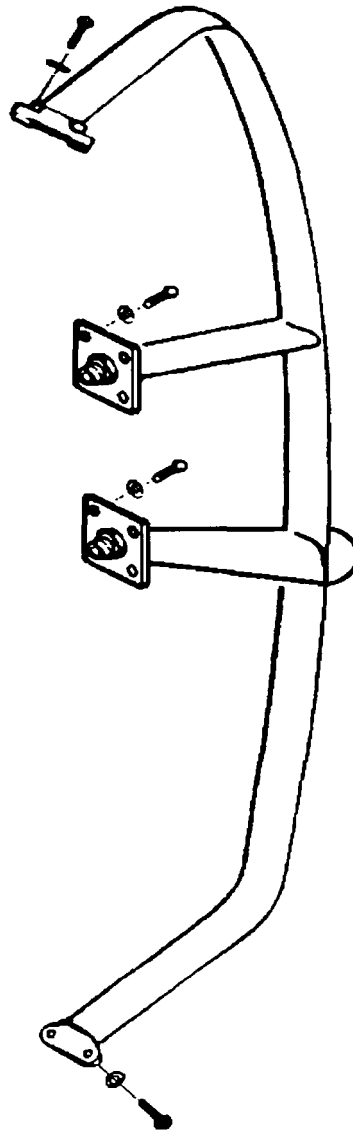
*AS-2486/ARC Antenna*

**1. Brief Description:** The AS-2486/ARC is the left hand portion of the FM homing antenna installed on the OH-58 aircraft. It is an encapsulated dipole resembling a streamlined vertical towel rack.

**2. Applicable Tools and Test Equipment:**  
Not applicable.

**3. Applicable Publications:**

TM 11-1520-228-20 (Pertains to OH-58)  
TM 11-1520-228-20-1 (Pertains to OH-58)  
TM 11-1520-228-20P (Pertains to OH-58)  
TM 11-1520-228-34 (Pertains to OH-58)  
TM 11-1520-228-34-1 (Pertains to OH-58)



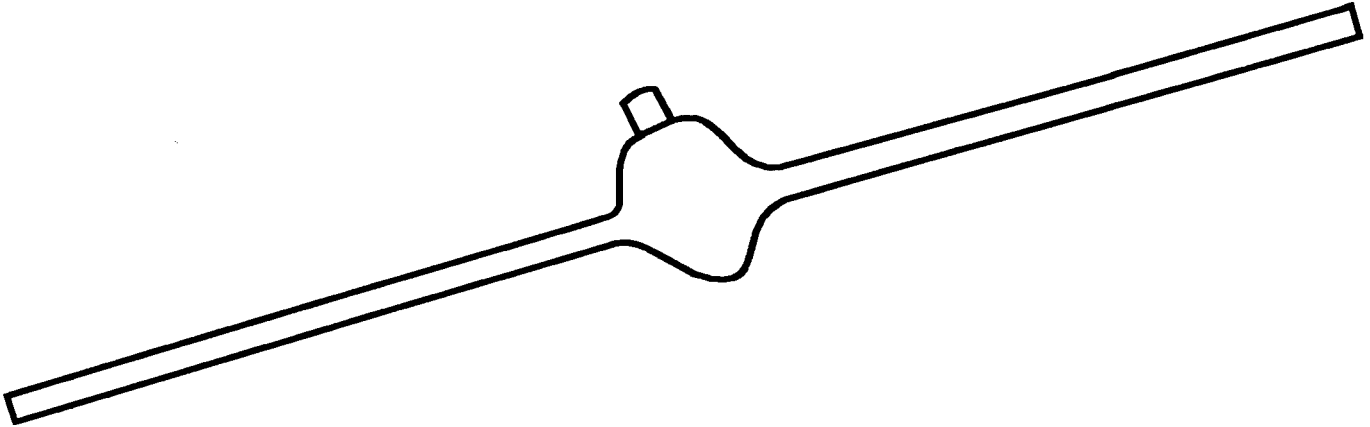
*AS-2670/ARC Antenna*

**1. Brief Description:** The AS-2670/ARC is the right hand portion of the FM homing antenna installed on the OH-58 aircraft. It is an encapsulated dipole resembling a streamlined vertical towel rack.

**2. Applicable Tools and Test Equipment:**  
Not applicable.

**3. Applicable Publications:**

TM 11-1520-228-20 (Pertains to OH-58)  
TM 11-1520-228-20-1 (Pertains to OH-58)  
TM 11-1520-228-20P (Pertains to OH-58)  
TM 11-1520-228-34 (Pertains to OH-58)  
TM 11-1520-228-34-1 (Pertains to OH-58)



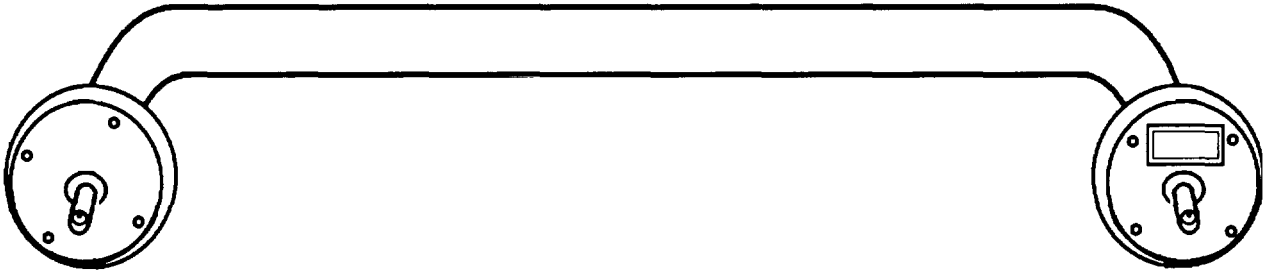
*4S-3188 Antenna*

**1. Brief Description:** The AS-3188/ARN is an antenna used for the reception of glideslope signals. Used on the AH-1() Aircraft.

**2. Applicable Tools and Test Equipment:**  
Not applicable.

**3. Applicable Publications:**  
TM 11-1520-236-23

**II-B-34**



*AS-3205/ARC Antenna*

**1. Brief Description:** The ASD-3205/ARC is an antenna used for the reception of VHF-FM homing signals on the AH-1S aircraft.

**3. Applicable Publications:**  
For reference use TMs for the AH-1S Aircraft.

**2. Applicable Tools and Test Equipment:**  
Not applicable.

**(Illustration Not Available)**

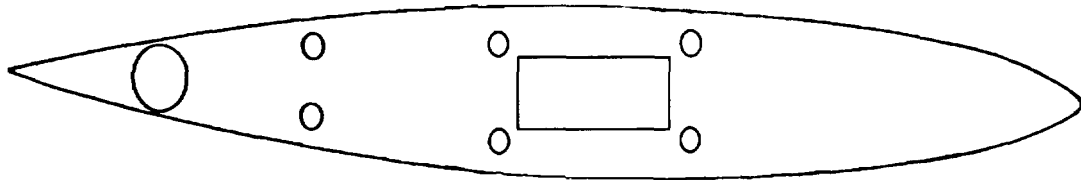
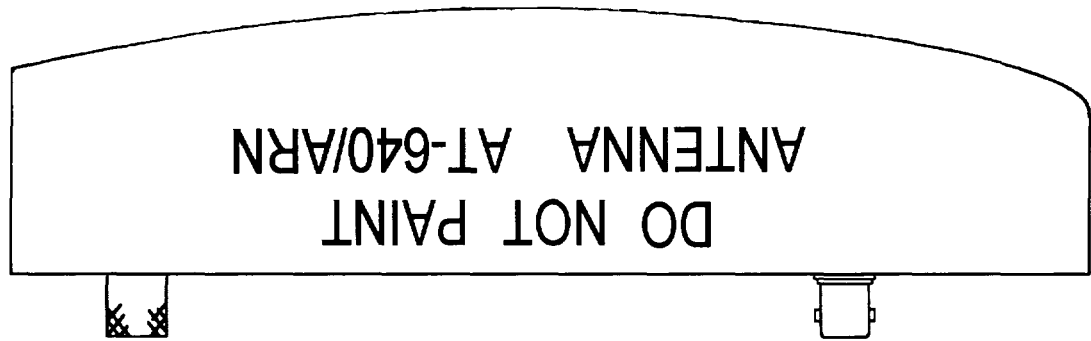
*AT-326/ARN Antenna*

**1. Brief Description:** The AT-326/ARN is an antenna used for the reception of Glideslope signals. Used on the CH-47, RV-1D and OV-1C Aircraft.

**2. Applicable Tools and Test Equipment:**  
Not applicable.

**3. Applicable Publications:**  
TM 11-1520-240-23 (Pertains to CH-47)

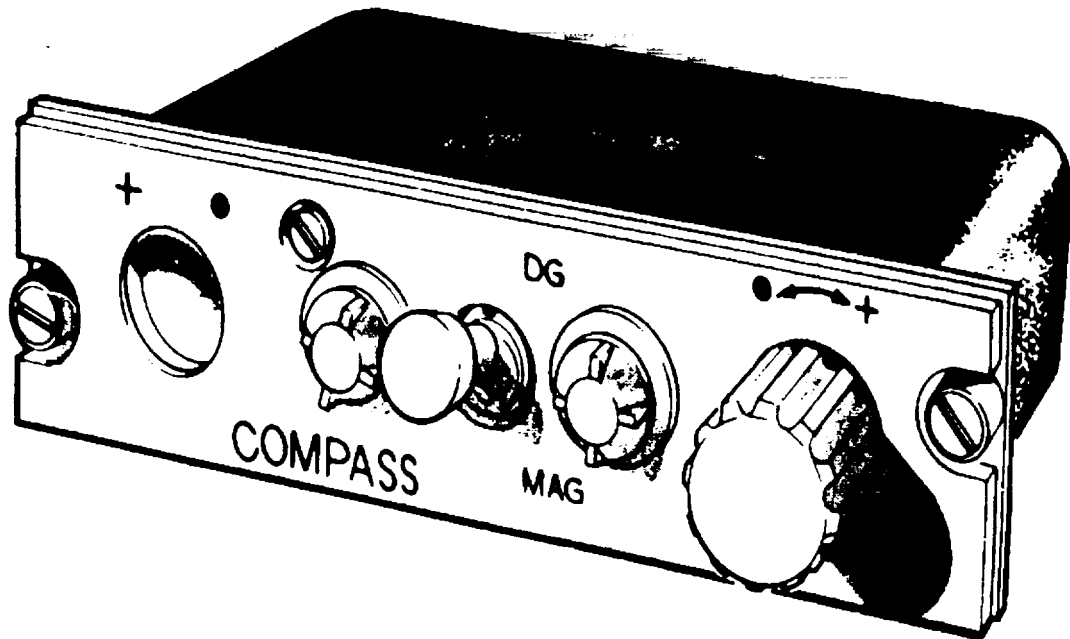
**II-B-36**



*AT-640A/ARN Antenna*<sup>1</sup>. **Brief Description:** The AT-640A/ARN (Collin 37X-2) is a horizontally-polarized antenna designed for receiving 75 MHz marker beacon signals. The antenna' standing wave ratio is 3 to 1 or less. It has an input impedance of 52 ohms.

**2. Applicable Tools and Test Equipment:**  
Not applicable.

**3. Applicable Publications:**  
Not applicable.



*C-6347/ASN-43 Compass Control*

**1. Brief Description:** The C-6347/ASN-43 Compass Control is used with the AN/ASN43 system on the AH-1S aircraft. It essentially performs functions in the AH-1S that are performed by the ID-1351 or ID-998 and AM-3209 in other aircraft. It serves to electrically synchronize and mechanically align the AN/ASN-43 to the correct magnetic heading when used in the MAG mode of operation. It transfers heading information from the T-6111ASN to the CN-998/ASN43 in the MAG mode and operates the relay in the CN-998 to place the AN/ASN-43 into the MAG or DC mode of operation. The synchronizing knob on the C-6347 may be used as a set heading knob for operation in the DG mode.

**2. Applicable Tools and Test Equipment:**  
See data sheet for AN/ASN-43.

**3. Applicable Publications:**  
TM 11-6605-202-12  
TM 11-6605-202-24P



**(Illustration Not Available)**

*CM-482/ARC-186 Signal Data Comparators*

**1. Brief Description:** The CM-482/ARC-186 provide left-right homing information in the frequency range of 30.000 to 87.975 MHz when used in conjunction with the ID- 1351A, Heading-Radio Bearing, or similar indicator and the RT-1354/ARC-186 or RT-1300/ARC-186(V) trans-mitters. Use of the FM homing modules is dependent on the mode of operation desired for which the aircraft is equipped.

**2. Applicable Tools and Test Equipment:**  
Not applicable.

**3. Applicable Publications:**  
Not applicable.

(Illustration Not Available)

*DT-173/AJN Magnetic Azimuth Detector*

**1. Brief Description:** The DT-173/AJN Magnetic Azimuth Detector is the direction-sensing element of attitude Heading Reference Set AN/ASN-76 or Inertial Nav Set ANIASN-86. Its sensing element is pendulously mounted so that its average position is in the horizontal component of the earth's magnetic field and is normally maintained regardless of the turbulence of the air or the attitude of the aircraft. It detects the direction of the lines of force in this horizontal magnetic component and transmits this information electrically to the Magnetic Compass System. The information is used to process and position the gyro to provide long-period stabilization for the system. Any signals produced during short-period swinging of the Magnetic Azimuth Detector sensing element into the earth's vertical magnetic component are effectively integrated by the gyro because of its slow reaction to slaving signals. Power input requirement is 23.5 volts AC, 400 Hz, single phase. Major components of this set are as follows:

CN-1072/AJN ..... Detector Magnetic Compensator  
DT-309/AJN..... Azimuth Detector

**2. Applicable Tools and Test Equipment:**  
See Appendix B for nomenclature, NSN, etc.

Type No	AVUM	AVIM
AN/ASM-339	X	
TK-101/G		X

**NOTE**

The DT-376/ASN can be substituted for the DT-309/AJN when a special adapter cable is utilized.

**3. Applicable Publications:**  
TM 11-6605-253-25

**(Illustration Not Available)**

*DT-376/ASN Azimuth Detector*

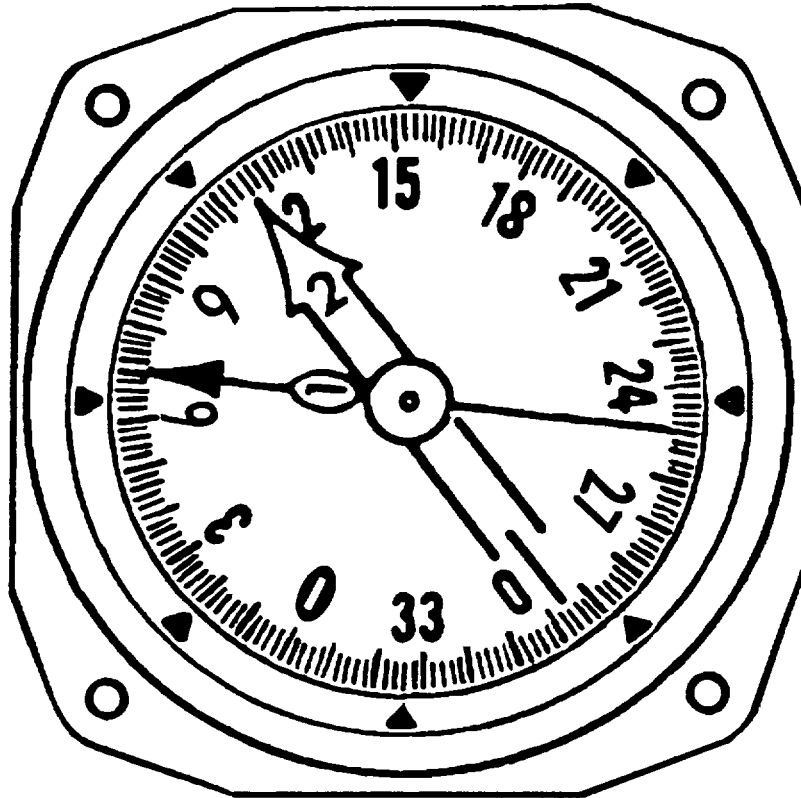
1

**1. Brief Description:** The DT-376/ASN Azimuth Detector (Flux Value) can be used in lieu of the DT-JN as part of the DT-173/AJN to provide input to the SN-76 or AN/ASN-86.

**2. Applicable Tools and Test Equipment:**  
to data sheet for DT-173/AJN.

**3. Applicable Publications:**  
TM 11-605-253-25 (Pertains to DT-173).

II-B-41



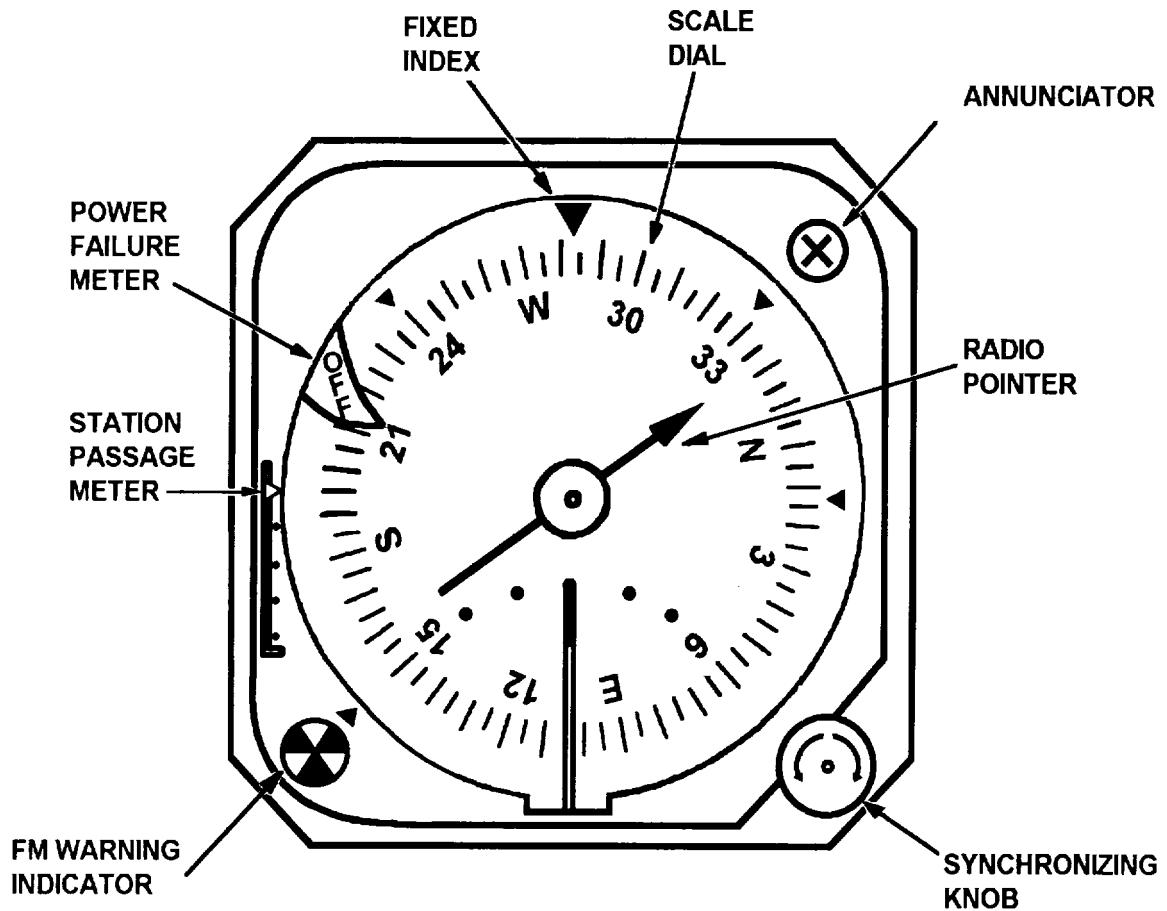
*ID-250 ( )IARN Radio Magnetic Indicator*

1

**1. Brief Description:** Radio Magnetic Indicator, ID-250( )IARN provides automatic and continuous indication of magnetic bearing, relative bearing and aircraft heading when used in conjunction with OMNI range receiving equipment, ADF equipment and gyrosyne compass; will continuously and automatically provide dual ADF, dual ODR or ADF and ODR information as required. Magnetic heading of the aircraft is indicated on a rotating dial and the magnetic bearings are shown under the two pointers.

**2. Applicable Tools and Test Equipment:**  
Not applicable.

**3. Applicable Publications:**  
TM 11-5826-211-50  
TM 11-6605-202-12 (Pertains to AN/ASN43)  
TM 11-6605-202-24P (Pertains to AN/ASN43)  
TM 11-6605-202-35 (Pertains to AN/ASN43)



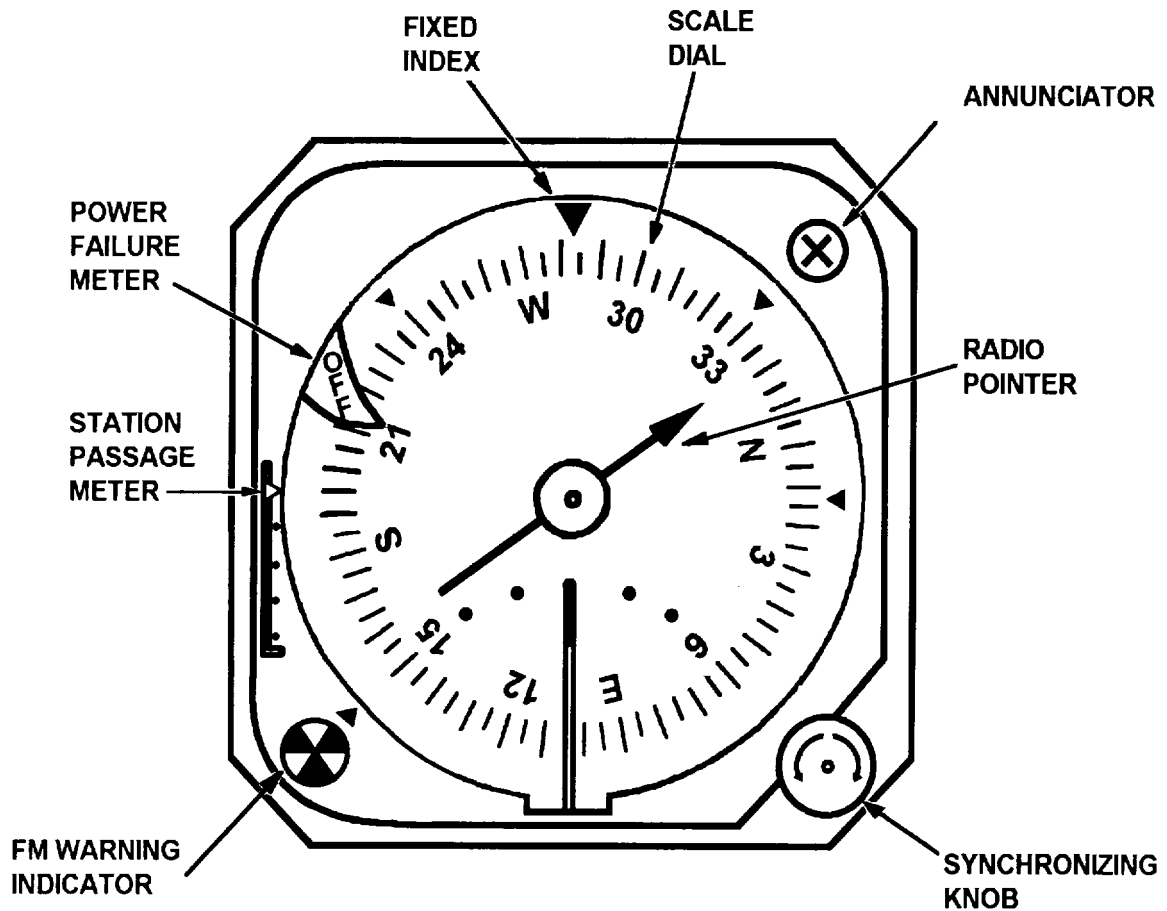
*ID-998( )/A SN Radio Magnetic Indicator*

**1. Brief Description:** The ID-998( )/ASN is a panel mounted flight instrument that presents aircraft heading, selected heading, and RMI information provided by two pointers which represent ADF and VOR radio signals.

**2. Applicable Tools and Test Equipment:**  
Not applicable.

**3. Applicable Publications:**

- TM 11-6605202-12 (Pertains to AN/ASN-43)
- TM 11-6605-202-24P (Pertains to AN/ASN-43)
- TM 11-6605-202-34 (Pertains to AN/ASN43)
- TM 11-6605202-35 (Pertains to ANIASN-43)
- TM 11-5826-299-34
- TM 11-6625924-14 (Pertains to Test Panel)

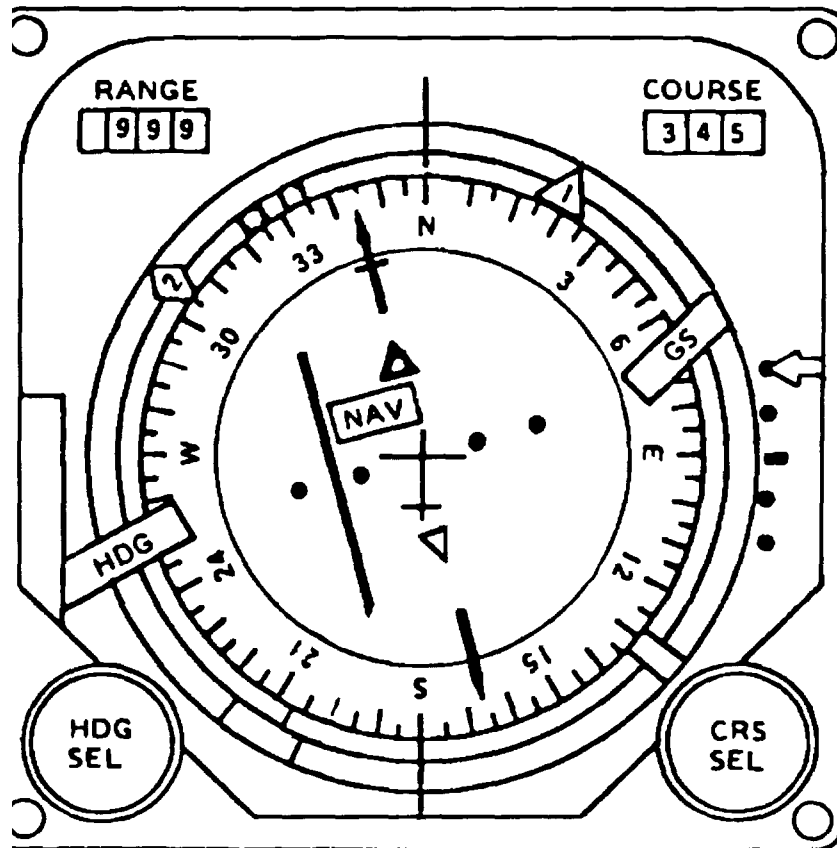


*ID-1351()A Heading-Bearing Indicator*

**1. Brief Description:** Heading-Radio Bearing Indicator, ID-1351( )/A, is a panel mounted flight instrument that displays heading and bearing information and provides a means of synchronizing (electrically and mechanically aligning) gyromagnetic compass sets. The indicator presents seven independent displays, including overstation passage, power loss, etc. which provide navigational system operational status and aircraft heading information. The ID- 1351C/A, ID-1351D/A, and ID-1351E/A incorporate 5 volt integral lighting which is not available in other models.

**2. Applicable Tools and Test Equipment:**  
Not applicable.

**3. Applicable Publications:**  
TM 11-5895-537-50  
TM 11-6605-202-12 (Pertains to AN/ASN-43)  
TM 11-6605-202-24P (Pertains to AN/ASN-43)  
TM 11-6605-202-35 (Pertains to AN/ASN-43)

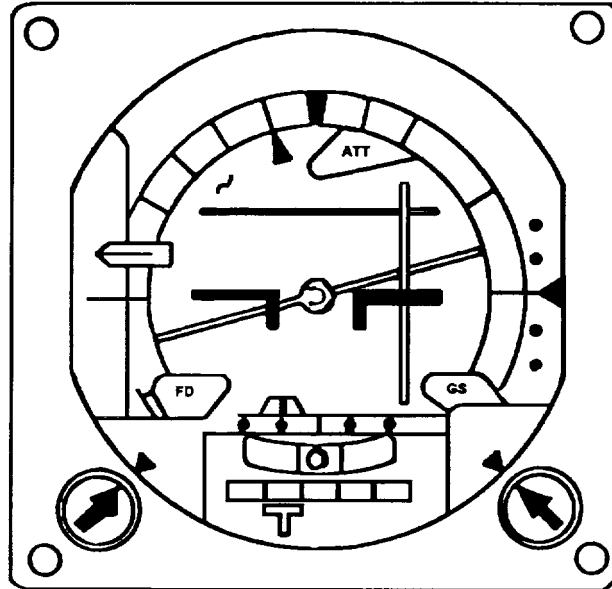


*2103/A Horizontal Situation Indicator*

**1. Brief Description:** The ID-2103/A Horizontal Situation Indicator is installed in the AH-1S and CH-47D aircraft. It receives its inputs from selected navigation sets and displays various readouts utilizing a compass card, glideslope printer, course deviation bearing printers, and digital range/course readout. It also includes heading and course selector knobs.

**2. Applicable Tools and Test Equipment:** Not need at the time of this printing.

**3. Applicable Publications:**  
11-1520-236-23P (Pertains to AH-1)  
11-1 520-240-23P-1 (Pertains to CH-47D)



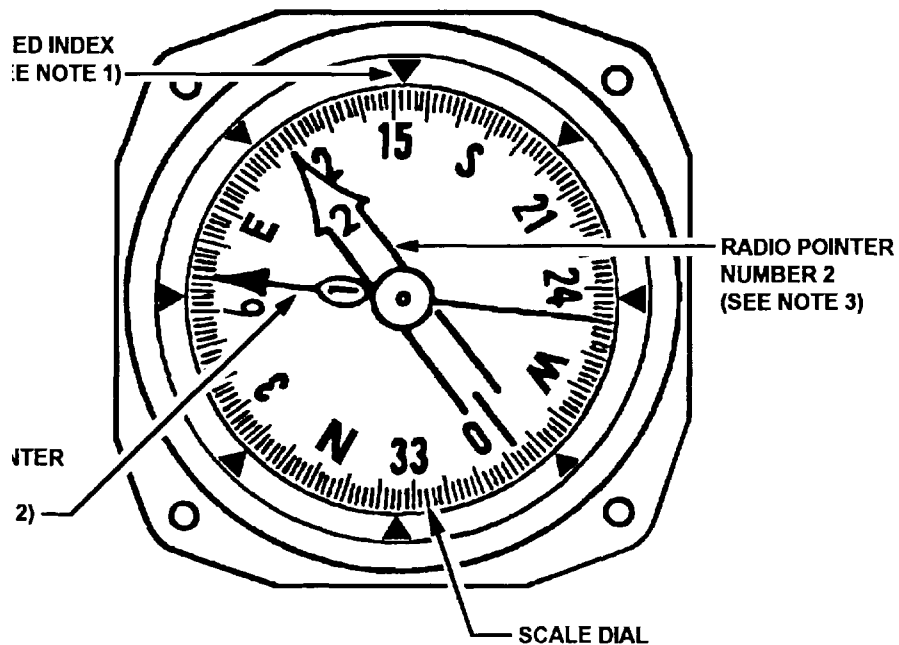
*ID-2104/A Attitude Direction Indicator*

**1. Brief Description:** The ID-2104/A Attitude Direction Indicator is installed on the AH-1S aircraft. It displays attitude incline, rate of turn, glide slope / localizer deviation and roll on pitch information. It also contains a roll/pitch trim knob.

**2. Applicable Tools and Test Equipment:** Not defined at the time of this printing.

**3. Applicable Publications:**  
TM 11-1520-236-23P (Pertains to AH-1S)





(1) INDICATES GYROMAGNETIC COMPASS HEADING READOUT IN BOTH MAG AND DG MODES OF THE AN/ASN-43. SYNCHRONIZING SCALE DIAL IS ACCOMPLISHED BY USE OF THE SYNCHRONIZATION KNOB AND ANNUNCIATOR LOCATED ON THE PASS CONTROL PANEL.

(2) POINTER NUMBER 1 INDICATES MAGNETIC BEARING OF ADF (AN/ARN-89).

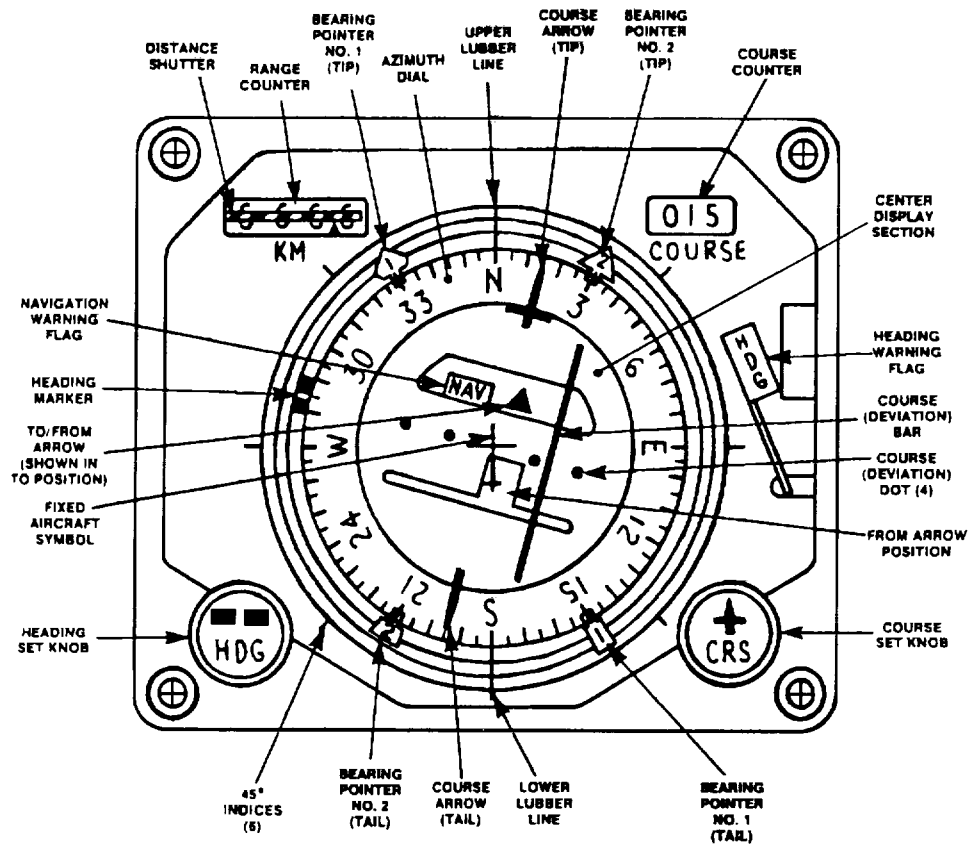
(3) POINTER NUMBER 2 INDICATES MAGNETIC BEARING OF THE VOR (AN/ARN-123).

*ID-2105/A Radio Magnetic Indicator*

**(1) Brief Description:** The ID-2105/A Radio Magnetic Indicator is installed on the AH-1 S aircraft. It functionally is similar to the ID-250/ARN, described elsewhere in this manual, but it has 5 volt red integral lighting.

**(2) Applicable Tools and Test Equipment:**  
Not defined at the time of this printing

**(3) Applicable Publications:**  
TM 11-1520-236-23P

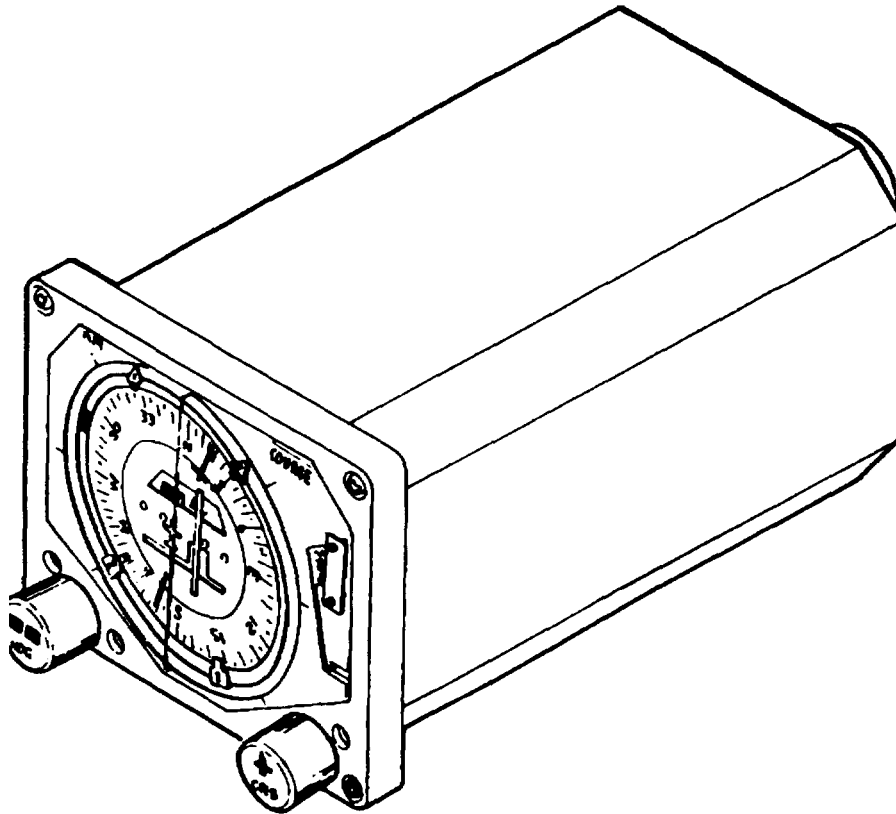


ID-2277A Vertical Situation Indicator

**1. Brief Description:** The ID-2277A Vertical Situation Indicator is installed in the AH-1S and CH-47D aircraft. It receives its inputs from selected installed navigation sets and displays various readouts utilizing a compass card, glideslope printer, course deviation bar, bearing printers, and digital range/course readout. It also includes heading and course selector knobs.

**2. Applicable Tools and Test Equipment:**  
 Not applicable.

**3. Applicable Publications:**  
 Not Applicable.



*ID-2278A/A Horizontal Situation Indicator*

**1. Brief Description:** The ID-2278A/A Horizontal Situation Indicator is installed in the AH-1S and CH-47D aircraft. It receives its inputs from selected installed navigation sets and displays various readouts utilizing a compass card, glideslope printer, course deviation bar, bearing printers, and digital range/course readout. It also includes heading and course selector knobs.

**2. Applicable Tools and Test Equipment:**  
Not applicable.

**3. Applicable Publications:**  
Not applicable.

**(Illustration Not Available)**

*J-2 Magnetic Compass Set*

**1. Brief Description:** The J-2 aircraft magnetic compass is a direction sensing system providing a visual indication of magnetic heading. The information is displayed on an indicator and one or more repeaters as may be required. The input power requirements are 27.5 volts DC at .6 amp and 115 volts AC, 400 Hz, 3-phase. Major components of this set are as follows:

- A-2 ..... Amplifier
- CN-405/ASN ..... Compensator, Magnetic Flux
- S-3A..... Gyro Control
- or
- S-3B ..... Gyro Control
- T-61 1/ASN..... Induction Compass Transmitter

The following components are used with the J-2 in certain installations:

- V-7A.....Induction Compass Indicator
- V-8 .....Indicator

**2. Applicable Tools and Test Equipment:** See Appendix B for nomenclature, NSN, etc.

<i>Type No.</i>	<i>AVUM</i>	<i>AVIM</i>
AN/ASM-61		X
AN/URM-105C	X	
AN/URM-127		X
AN/USM-207A		X
AN/USM-223		X
ME-26D/U		X
ME-30A/U		X
MX-4618/U		X
OS-8/U		X
TK-100/G		X
TK-101/G	X	
TK-1 05/G		X
TV-7D/U		X

**3. Applicable Publications:**

- TM 11-6605-200-12
- TM 11-6605-200-20P
- TM 11-6605-200-35P

TB 43-0123  
R-1041 ARN  
5826-00-837-7261  
JGZ  
R-1041AIARN  
5826-00-892-3739  
JG3  
R-1041BIARN  
5826-00-930-2004  
JG4

(Illustration Not Available)

R-1041()/ARN Radio Receiver

**1. Brief Description:** Radio Receivers, R-1041()  
)/ARN, are double conversion, fully transistorized  
superrheterodyne receivers designed to receive a  
75MHz AM marker beacon signal. Reception of the  
vertical radiated al is indicated by an audible tone in  
the head set as well y a visual signal from a remote  
indicator lamp. Input power requirements for the R-  
1041/ARN and R-1041A/ARN .5 volts DC at .075  
amps; 27.5 volts DC at .050 amps for the R-  
1041B/ARN. The following component is used with  
the receiver:

MT-2292/AR .....Mount

**3. Applicable Publications:**

TM 11-5826-219-12  
TM 11-58-26-219-35  
TM 11-5826-219-35P

**2. Applicable Tools and Test Equipment:** See  
Appendix B for nomenclature, NSN, etc.

Type No.	AVUM	AVIM
*AN/ARM-63		X
AN/URM-25D		X
AN/URM-105	X	
AN/URM-127		X
AN/USM-44A		X
ANIUSM-207A		X
ANIUSM-223		X
**BC-376/U X	X	
ME-26D/U		X
TK-100/G		X
TK-101/G	X	
TK-105/G		X
TS-585/U		X
TS-1 836/U		X
UG-274B/U		X

Planned for replacement by the AN/ARM-180  
Planned for replacement by the AN/ARM-186

(Illustration Not Available)

*R-1963/ARN Radio Receiver*

**1. Brief Description:** The R-1963/ARN Radio Receiver provides marker beacon position and glideslope information for enroute and terminal navigation and instrument landing system (ILS) approach and landing. The R-1963/ARN is basically a repackaged version of the MB/GHS section of the AN/ARN-123 Radio Receiving Set. The GS receiver section has 40 channels covering a frequency range from 329.15 MHz to 335.00 MHz with 150 kHz channel spacing. The correct frequency is automatically selected by control of a separate VOR/LOC receiver. Outputs from the GS receiver section are used to drive the horizontal needle of a course deviation indicator. Frequency of the MB receiver is 75.0 MHz and its output operates a marker beacon lamp system and provides audible beacon identification. Input power requirements is 27.5 volts DC.

The following item is used with the R-1963/ARN:

MT-4835/ARN .....Mount

**NOTE**

The R-1963/ARN is used with a variety of other components such as antennas, indicators, controls, etc. to operate as a complete system. Refer to applicable aircraft configuration sheets for details.

**2. Applicable Tools and Test**

**Equipment:** See

Appendix B for nomenclature, NSN, etc.

<i>Type No.</i>	<i>AVUM</i>	<i>AVIM</i>
<i>*AN/ARM-5</i>		X
<i>*AN/ARM-69</i>		X
<i>AN/ARM-92B</i>		X
<i>ANI/URM-127</i>		X
<i>ANI/USM-44B</i>		X
<i>AN/USM-223</i>		X
<i>**BC-376/H</i>	X	
<i>**SG-13/ARN</i>	X	
<i>TK-100/</i>		X
<i>TK-101/G</i>	X	
<i>TS-585C/U</i>		X

\* Planned for replacement by the AN/ARM-180

\*\* Planned for replacement by the ANIARM-186

**3. Applicable Publications:**

TM 11-5826-257-24

**(Illustration Not Available)**

*339D-1 Distance Indicator*

**1. Brief Description:** The Collins model 339D-1 Distance Indicator is used in conjunction with the TACAN in the U-21( ) and RU-21( ) Series Aircraft for the of providing range information. The indicator will register the distance in miles from a known reference.. The 339K-1 is equipped with a warning flag which appears in the window to indicate a malfunction in the equipment, a failure, or a period of in operation.

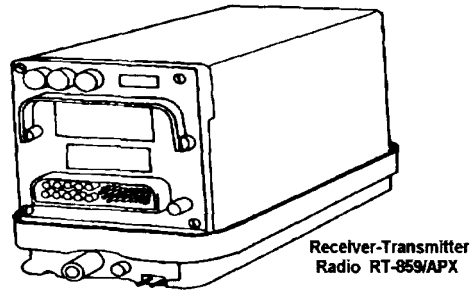
**2. Applicable Tools and Test Equipment:** Not applicable

**3. Applicable Publications:** For reference use TMs 1( ) and RU-21( ) aircraft.

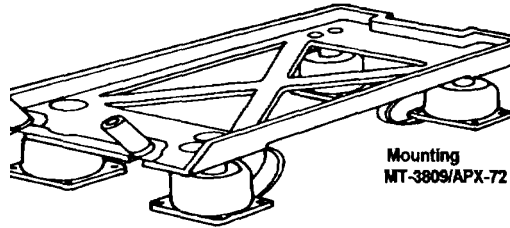
**II-B-53/(II-B-54 blank)**

**IDENTIFICATION EQUIPMENT**

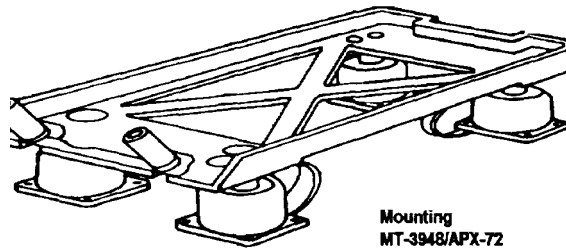




Receiver-Transmitter  
 Radio RT-859/APX



Mounting  
 MT-3809/APX-72



Mounting  
 MT-3948/APX-72

*RT-859/APX-72 and MT-3809/APX-72 and MT-3948/APX-72*

**1. Brief Description:** The AN/APX-72 is an airborne transponder which operates in conjunction with ground IFF equipment. The transponder, upon receiving an interrogation signal from the ground station automatically transmits a coded reply. Five independent coding modes are reliable to the pilot. Mode 1, 2, and 3A provide various code combinations, which are selectable in flight on Modes or 1 and 3A. In Mode C, pressure altitude is obtained from the RT encoding altimeter and provided through the transponder to the ground interrogator. Mode 4, which uses an external computer, can be selected to display any one of many of the A classified codes for security identifications. An emergency mode of operation is also available to the pilot. The AAU- emergency reply indicates to the ground interrogator that the aircraft is in distress. The AN/APX-72 transmits on a or frequency of 1090 MHz while receiving on 1030 MHz. The input power requirements is 28 volts DC at 2 amps or 115 volts AC. 400 Hz at 95 watts. The RT-859/APX-72 is a

product improved version of the RT-859/APX-72 components of the AN/APX-72 are as follows:

- C-6280A(P)IAPX ..... Transponder Control
- MT-38099/APX-72 ..... Mount
- RT-859APX-72 ..... Receiver-Transmitter
- or
- RT-859A/APX-72 ..... Receiver-Transmitter

The following components are used with but are not a part of the ANPX-72:

- AAU-32/A ..... AIMS Altimeter
- AT-741/A ..... Antenna
- or
- AT-884/APX ..... Antenna
- KIT-1ATSEC ..... Computer
- MT-3513//APX.....Mount            TS-1843/APX)

MT-3949/U.....Mount (KIT-1ATSEC)  
TS-1843/APX.....Transponder Test Set

**2. Applicable Tools and Test Equipment:**  
See Appendix B for nomenclature, NSN, etc.

Type No.	AVUM	AVIM
(-)ANIAPM-123A	X	
(***)ANIAPM-239A		X
(**)ANIAPM-245		X
(**)ANjluPM-98A		X
(--)ANIURM4A		X
AN/URM-105C	X	
AN/USM-207A		X
AN/USM-223		X
(**)ANIUSM-203C		X
ANIUSM-281C		X
CM-771 /USM		X

Type No.	AVUM	AVIM
ME-26D/U		X
ME-202( )/U		X
MK-772UN		X
TK-100G		X
TK-101/G	X	
TK-105/G		X
TS-268E.U		X
TS-1836D/U		X
UG-564/U X	X	

(\*)To be replaced by ANIAPM-378 or ANIAPM-424  
(\*\*)To be replaced by ANIAPM-305A  
(\*\*\*)To be replaced by ANIAPM-421

**3. Applicable Publications:**

TM 11-5895490-341 (Pertains to AN/APM-305A)  
TM 11-5895-1199-12

(Illustration not available)

*AN/APX-100*

**1**

**Brief Description:** The AN/APX-100(V) family are lightweight space diversity transponders which function to receive RF interrogations from two antennas and transmit a reply to the antenna from which the stronger interrogations was received. They operate in Modes 1, 2, 3/A, C and 4 and have a built-in test capability in all modes. Special reply features available to the operator include Emergency, lip and X Pulse. These transponders transmit on a frequency of 1090 MHz and receive on 1030 MHz. Input power requirements are 28 volts DC at 35 watts. The 'A' versions of this family of transponders are product improved versions of the original production configuration. ANIAPX-100 pertains to a family of transponders. For specific details refer to data sheet for RT-1157( )/APX-100(V), RT-1285( )/ APX-100(V) and RT-1296( )IAPX-100(V) and RT-1471( )/ APX-100(V). Major components of this set are as follows:

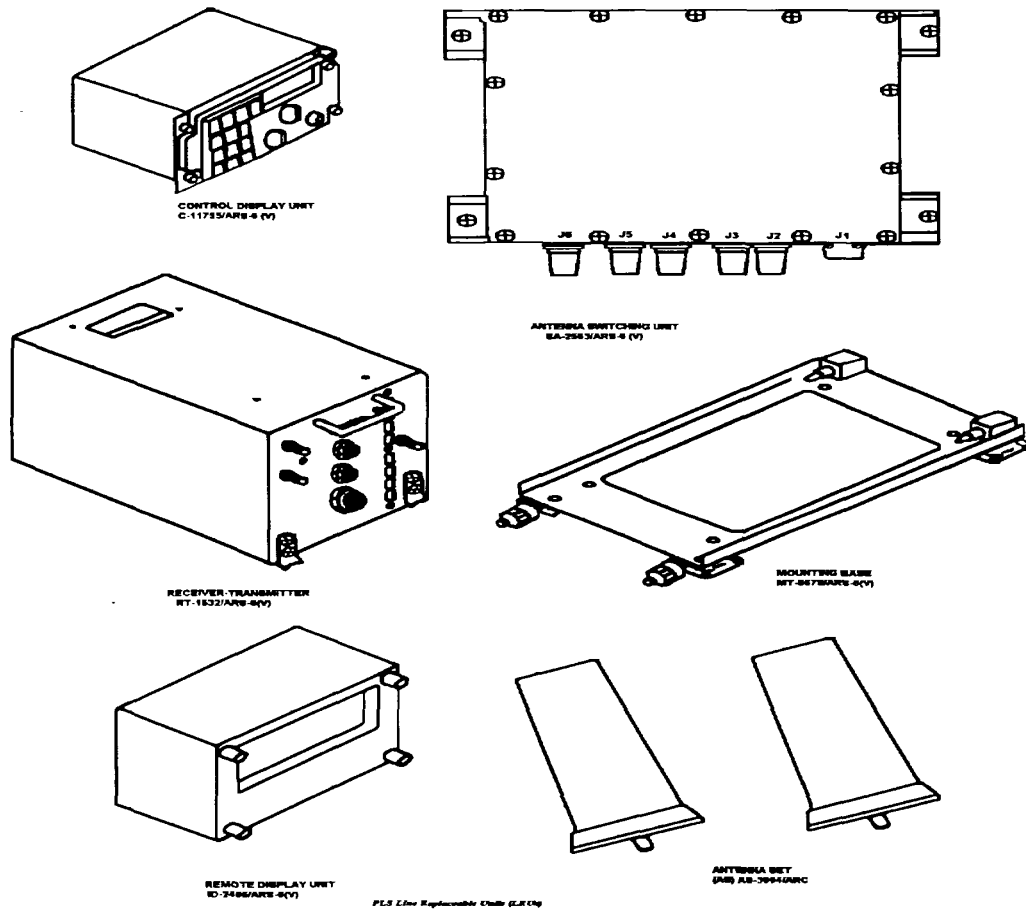
- AT-885 Antenna
- C-0009 ..... Control; (5 volt red) for RT-1157
- C-0533 ..... Control; (28 volt red) for RT-1157
- MT4811 ..... mount; for RT-1157
- RT-1157 ..... Remote mounted transponder
- RT-11 57A ..... Receiver-Transmitter
- RT-1285 ..... Panel mounted; (28 volt red lit)
- RT-1 285A ..... Receiver-Transmitter
- RT-1296 ..... Panel mounted; (5 volt red lit)
- RT-1 296A ..... Receiver-Transmitter
- RT-1471 ..... MIL-STD; 1553 Bus Transponder

**2. Applicable Tools and Test Equipment:**

Not Applicable.

**3. Applicable Publications:**

- TM 11-5895-1037-12
- TM 11-5895-1037-30&P



*AN/ARS-6 Personnel Locator System*

**1. Brief Description:** The AN/ARS-6 operates in the UHF band between 225 and 300 MHz and is tunable in 25 kHz increments. To locate a survivor, the ANIARS-6 transmits short coded messages. The Radio Set receives the coded message and its internal transponder, designed to respond only to its ID code, transmits a coded message back to the AN/ARS-6. The received message from the survival radio is decoded, range and steering to the survivor are calculated. The AN/ARS-6 remote display unit indicates the range and left/right steering data to the survivor. The AN/ARS-6 can store nine survivor radio ID codes simultaneously. The AN/ARS-6 provides steering commands to any AM, FM, or CW source operating in the 225-300 MHz band. The AN/ARS-6 is comprised of the following components.

- RT-1532/ARS6 ..... Receiver-Transmitter
- MT-6678/ARS6 ..... Mounting Base
- ID-2405/ARS-6 ..... Remote Display Unit
- AS-3984/ARC ..... Antenna Set

**2. Applicable Tools and Test Equipment:**  
 See Appendix B for nomenclature, NSN, etc.

<i>Type No.</i>	<i>AVUM</i>	<i>AVIM</i>
<i>TK-101G</i>	X	
<i>MK-693A</i>	X	
<i>AN/PSM45</i>	X	X
<i>AN/URM-120</i>	X	X
<i>TK-1 05G</i>		X
<i>MK-994AtAR</i>		X
<i>TS-4360/AYD-1</i>		X

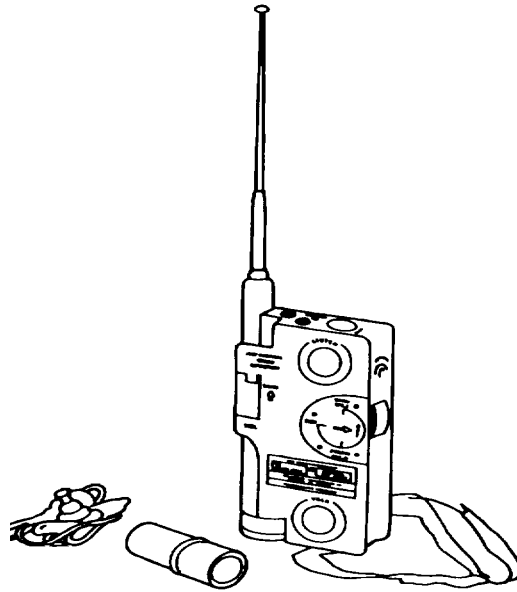
- C-11755.....Control Display Unit
- SA-2563/ARS-6 .....Antenna Switching Unit

TB 43-0123  
ANIARS-6  
NSN: NIA  
EIC: NIA

Type No.	AVUM	AVIM
AN/GRM-114A		X

**3. Applicable Publications:**  
TM 11-5821-342-13&P6

II-C-5



AN/PRC-90 Radio Set

**1. Brief Description:** Radio Set AN/PRC-90 is an emergency locator transceiver used by aircrew members for communication with search and rescue ships, vehicles, or aircraft with compatible radio equipment. The AN/ARC-90 will receive and transmit AM voice signals on 282.8 MHz and voice, MCW and beacon signals on 243.0 MHz. This set is powered by a 14.0 volt battery (BA-1568/U) with maximum life of 14 hours in the beacon mode. Power output is 500 m w in the Beacon and MCW mode and 400 mw in the voice mode. An earphone is included in an attached polyvinyl container for use when the speaker output is not desired.

**2. Applicable Tools and Test Equipment:**  
 See Appendix B for nomenclature, NSN, etc.

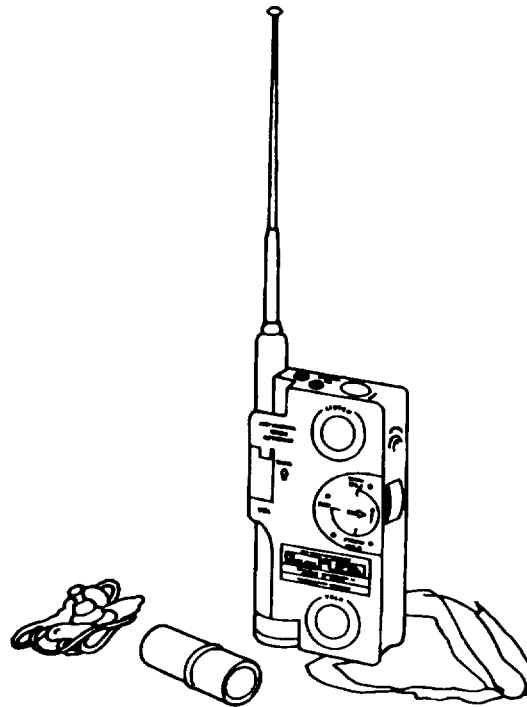
Type No.	AVUM	AVIM
ANIPRM-32A	X	X
AN/URM-145B		X
AN/USM-44C		X
ANIUSM-281C		X
AN/USM-451		X
AN/USM459		X
CN-1285/U		X
ME-26D/U		X
MX-8801/PRC-90	X	X
TK-100/G		X
TK-101/G	X	
TS-2530( )/UR		X

**NOTE**

Maintenance of the ANIPRC-90 is limited to replacement of external parts. Repair and overhaul will be accomplished by the Air Force under a Depot Maintenance Interservice Support Agreement. Refer to TM 11-5820-800-12 for details.

**3. Applicable Publications:**

- TM 11-5820-800-13&P
- TM 11-5820-800-10-3
- TM 11-5820-800-10-HR
- TM 11-5820-800-20-2
- TM 11-5820-800-20P
- TM 11-5820-800-30P-1
- IM 11-5820-91440
- IM 11-5820-914-40P
- IM 11-5820-1049-12
- TM 11-5820-1049-23P
- IM 11-5820-1049-30
- TM 11-6625-3094-24P



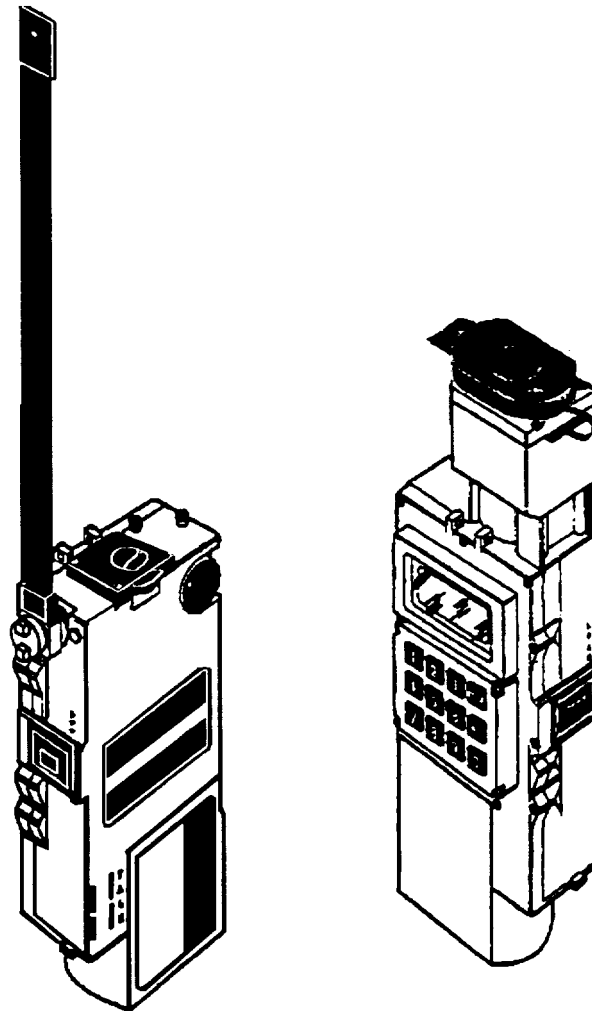
*AN/PRC-90-2 Radio Set*

**1. Brief Description:** Radio Set ANIPRC-90-2 is a dual-channel, self-powered, personal survival transceiver used principally for two-way voice communications between a downed aircrew member and a rescue aircraft. Provisions are included for swept-frequency beacon signals to guide rescue efforts. The AN/ARC-90-2 will receive and transmit AM voice signals on 282.8 MHz and voice, MCW and beacon signals on 243.0 MHz. This set is powered by E 14.0 volt battery (BA-1568/U) with maximum life of 14 hour in the beacon mode. Radio Set AN/PRC-90-2 is designed to provide the following capabilities: Two-way voice communications over a range of 60 nautical miles to aircraft operating at 10, 000 feet altitude can be expected and an ADF (automatic direction finder) range of 50 nautical miles and a range of 80 nautical miles to aircraft operating a 10, 000 feet can be expected. An earphone is included in an attached polyvinyl container for use when the speaker output is not desired.

**2. Applicable Tools and Test Equipment:**  
 See Appendix B for nomenclature, NSN, etc. The AN/GRM-114A may be used in lieu of TMDE listed.

<i>Type No.</i>	<i>AVUM</i>	<i>AVIM</i>
<i>AN/GRM-114A</i>		X
<i>ANIUSM-459</i>		X
<i>AN/USM-486</i>		X
<i>MX-8801/PRC-90</i>	X	
<i>P6-06-0024</i>	X	X
<i>PP-2309C/U</i>		X
<i>TK-101/G</i>		X
<i>TS-24(B)</i>	X	X
<i>TS-2530( )UR</i>	X	

**3. Applicable Publications:**  
 TM 11-5820-1049-12.



*AN/PRC-112 Radio Set*

**1. Brief Description:** The AN/PRC-112 Radio Set is the ground-based radio set of the Personnel Locator System AN/AYD-1. The Radio Set functions as a survival radio/transponder which receives an interrogation on an assigned UHF frequency (225.00 to 299.975 MHz) and transmits a return message on the same frequency. The Radio Set also functions as a two-way radio for voice transmissions over Line-of-Sight paths. The Radio Set transmits amplitude modulated (AM) voice on 121.5 MHz, 243.0 MHz, 282.2 MHz, Channel A (predetermined programmed frequency), or Channel B (predetermined programmed frequency) as selected by the Radio Set Channel/Mode selector. As pictured above, the Radio Set consists of the Radio Set AN/PRC-112 and the Program Loader KY-913/PRC-112.

**2. Applicable Tools and Test Equipment:**

Type No.	AVUM	AVIM
AN/GRM-114A		X
TK-101/G	X	
TK-1 05/G		X

**3. Applicable Publications:**

TM 11-5820-1037-13&P



**(Illustration Not Available)**

*AT-740/A Antenna*

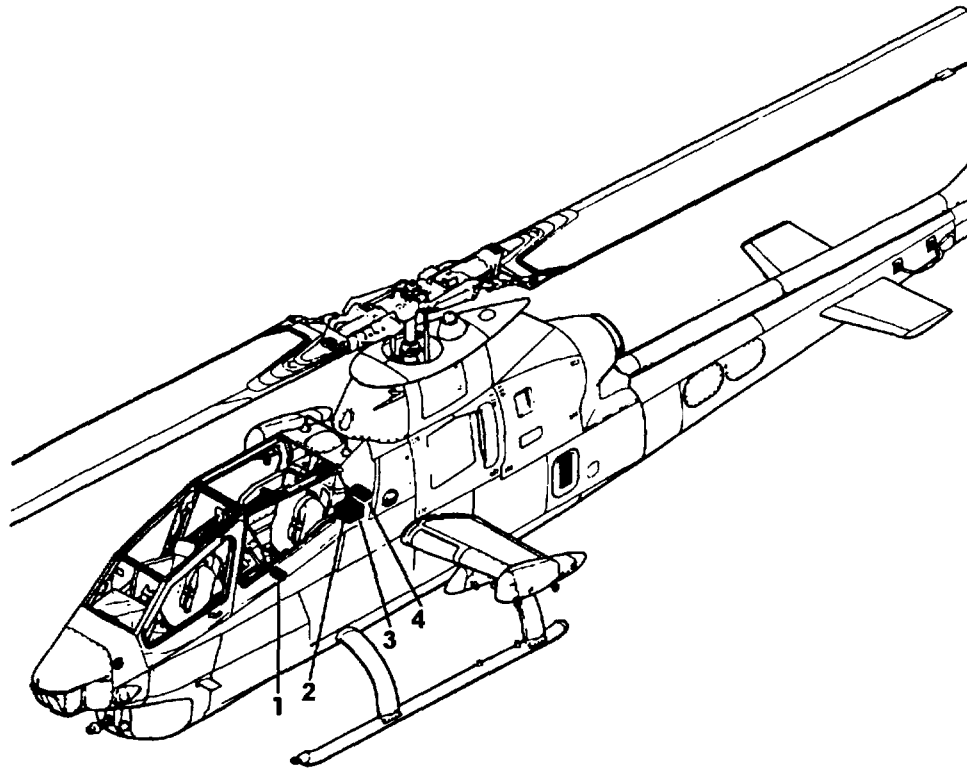
**1. Brief Description:** The AT-740/A is a flush mounted IFF antenna installed on the CH-47D aircraft.

**2. Applicable Tools and Test Equipment:**  
Not Applicable.

**3. Applicable Publications:**  
TM 11-1520-240-23

**II-C-9/(II-C-10 blank)**

## **FLIGHT CONTROL EQUIPMENT**



AH-1() Stability and Control Augmentation System

**1. Brief Description:** The Stability and Control Augmentation System is used on the AH-1() helicopter to maintain a highly damped airframe while maintaining a high quality control response characteristic for pilot inputs. Power input requirements are 27.5 volts DC at 4.5 amps and 115 volts AC single-phase at 35 volt amps. Major electronics components of the SCAS follows:

Type No	AVUM	AVIM
TK-100/G		X
TK-1011G	X	
TK-105/G		X
TS-1936D/U		X

**NOTE**

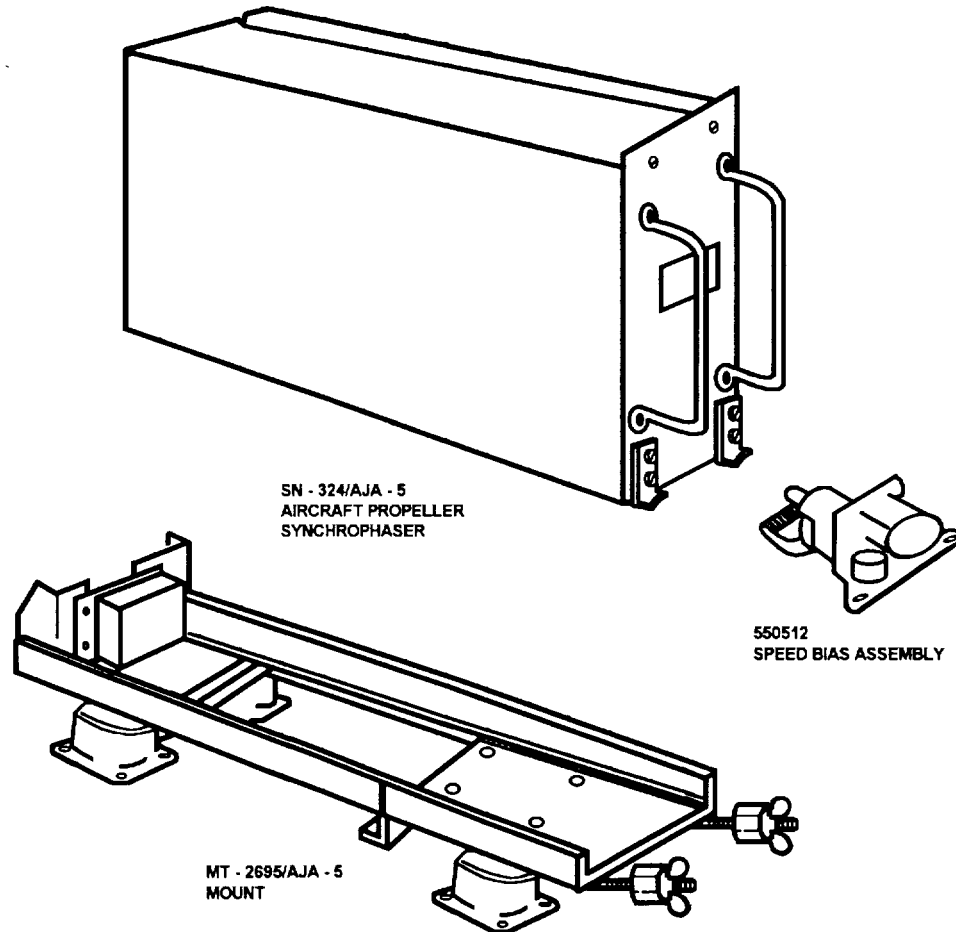
The above tools and test equipment are applicable only to the SCAS system installed in the AH-IS (Modified). The SCAS components installed in the AH-1F (Modernized) reparable only at depot level, not in the field.

- AH-IS
  - 570-074-010-11 ..... Sensor Amplifier
  - 570-074-060-11 ..... Control Panel
  - 570-074-131-3 ..... Pylon Compensator
- AH-1 F
  - 209-074-070-3 ..... Control Panel
  - 209-074-080-103 ..... Sensor Amplifier
  - 209-074-092-1 ..... Armament Compensator
  - 570-074-315-3 Rate Gyro Sensor

- 3. Applicable Publications:**
- TM 11-1520-2 36-23
  - TM 11-1520-236-23P

**2. Applicable Tools and Test Equipment:** See Appendix B for nomenclature, NSN, Etc.

Type No.	AVUM	AVIM
AN/ASM-338		X
ANI/URM-105C	X	
AN/URM-127		X
AN/USM-223		X
AN/USM-281C		X



*AN/AJA-5 Aircraft Propeller Synchrophaser Group*

**1. Brief Description:** The ANIAJA-5 Aircraft Propeller Synchrophaser Group is designed to maintain aircraft engines at the same RPM, while simultaneously maintaining a specific relative phase (angular) relationship between the aircraft's propellers. This serves to reduce vibration and noise. The speed bias servo assembly serves as the external servo mechanism which translates the synchrophaser signals into mechanical form. Power input requirement is 115 volts AC, 400 Hz, single phase. Major components of this set are as follows:

- MT-2695/AJA-5 ... Mount
- SN-324/AJA-5 ..... Aircraft Propeller Synchrophaser

The following component is used with but not issued as part of the AN/AJA-5:

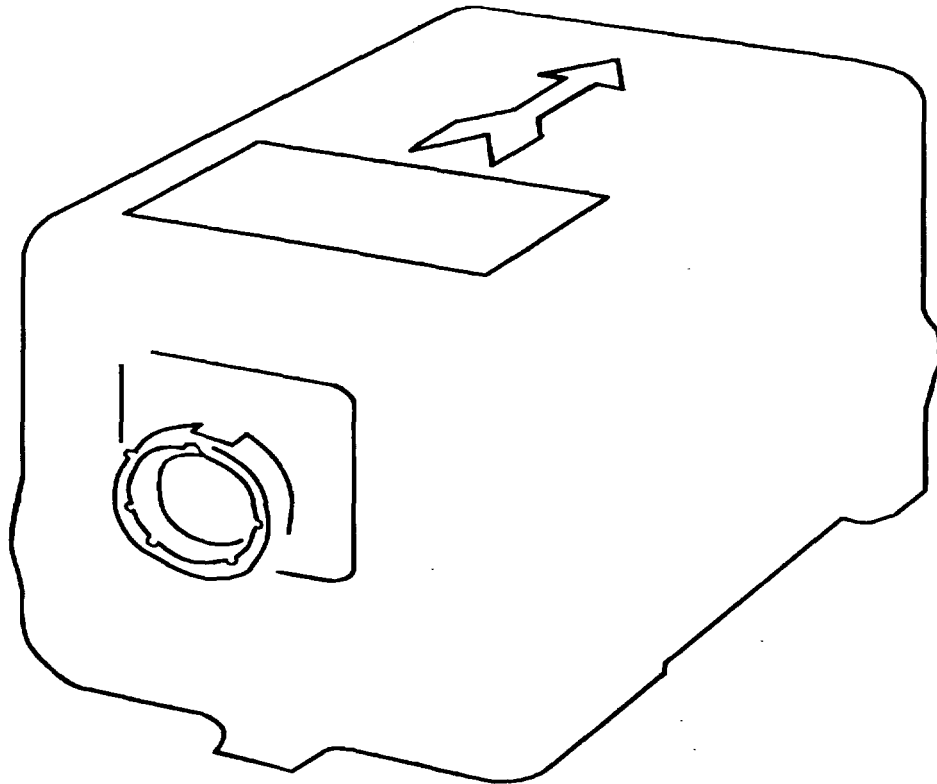
50512 ..... Speed Bias Assembly

**2. Applicable Tools and Test Equipment:** See Appendix B for nomenclature, NSN, etc.

Type No.	AVUM	AVIM
AN/ASM-126		X
AN/ASM-127	X	X
AN/USM-223	X	X
TS-1836/U		X
AN/USM-281/A		X
TK-100/G		X
TK-101/G X		X
TK-105/G		X
TV-7DIU		X

**3. Applicable Publications:**

- TM 11-1610-244-24
- TM 11-5895-310-12P
- TM 11-5895-310-35P



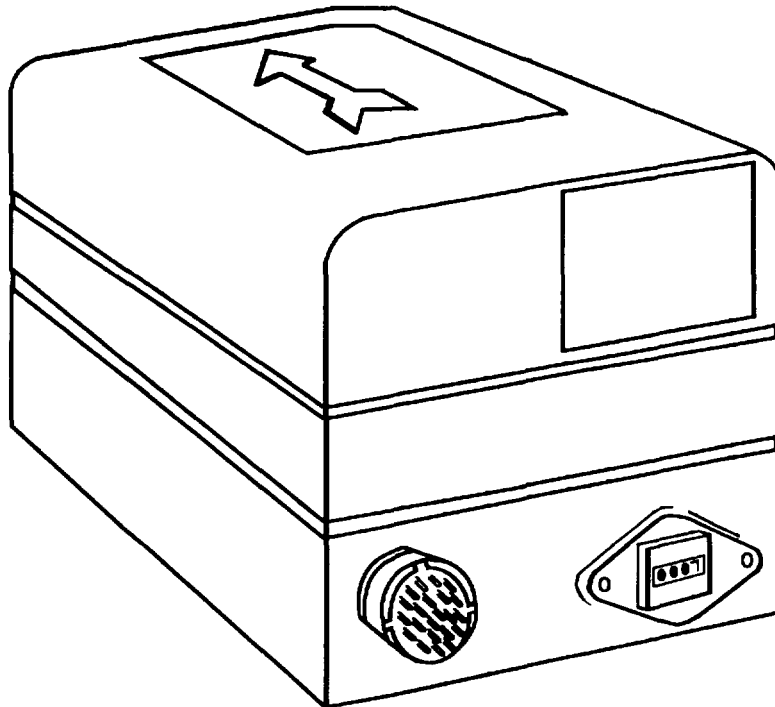
CN-811( )/ASN Gyro

**1. Brief Description:** The CN-811 ( )/ASN is a roll and pitch displacement gyro used in aircraft attitude indicating systems. There are various models of CN-811( )/ASN (Plain, A, B, & C) as well as other part numbered gyros (9000F and SBU-6) that are used on the CH47( ) aircraft. The main differences between the various models of the gyros is in the input power requirement of the gyro and also the model of aircraft capable of accepting it. The following matrix depicts the power requirement of the gyro and also the model of aircraft capable of accepting it.

**2. Applicable Tools and Test Equipment:**  
Not Applicable.

**3. Applicable Publications:**  
Not Applicable.

Item	Power Rqmt	Aircraft Type
CN-811B/C/ASN	Single Phase	CH47D
9000F	Single Phase	CH47D

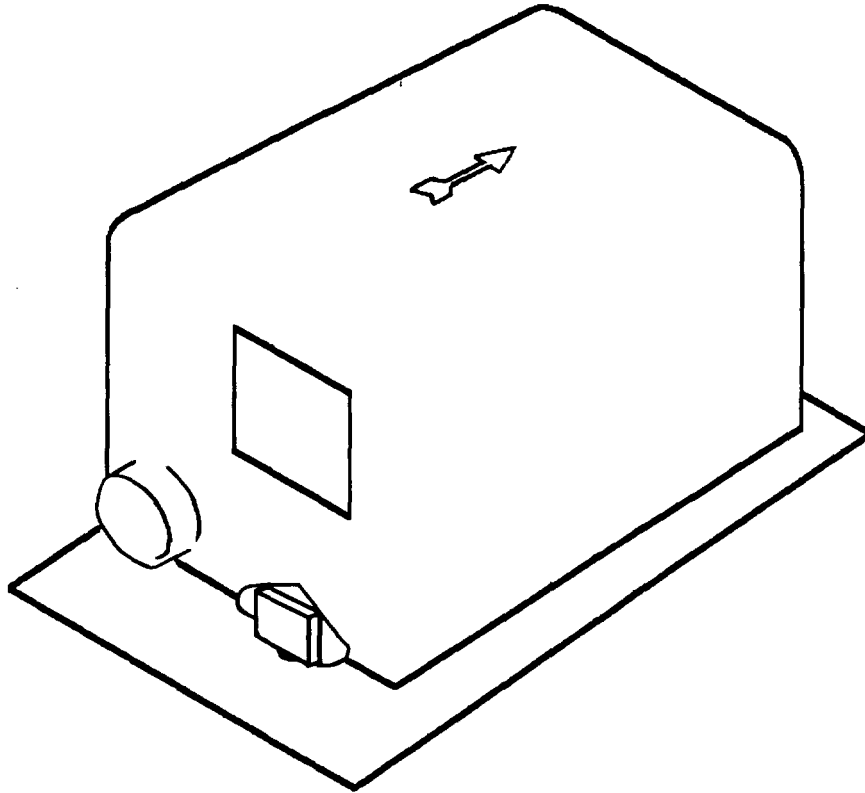


*CN-1314/A Gyro*

**1. Brief Description:** The CN-1314/A Vertical Displacement Gyro senses pitch and roll attitudes and provides appropriate signals to the aircraft attitude indicator system. Used on UH-60 and AH-1).

**2. Applicable Tools and Test Equipment:**  
Not applicable.

**3. Applicable Publications:**  
Not Applicable



*CN-1497/A Gyro*

**1. Brief Description:** The CN-1497 is essentially a CN-1314/A Vertical Displacement Gym mounted on a special alignment plate, P/N 209-075964-5, or use in the AH-S aircraft.

**3. Applicable Publications:**  
Not Applicable.

**2. Applicable Tools and Test Equipment:**  
Not Applicable.

**(Illustration Not Available)**

*MC-1 Rate Switching Gyro*

**1. Brief Description:** The MC-1 Switching Rate Gyro is a compact unit which accurately senses turns of predetermined rate and performs a switching function. It is hermetically sealed, and its gimbals is partially floated. The input power requirements is 115 volts AC, single-phase, 40 Hz at 7 was.

**3. Applicable Publications:**  
Not applicable.

**2. Applicable Tools and Test Equipment:**  
Not applicable.

II-D-6



**(Illustration Not Available)**

*MD-1 Vertical Gyro Control*

**1. Brief Description:** The MD-1 control assembly is a compact, light-weight, highly accurate vertical reference system. Within the control's hermetically sealed container is a two-degree-of-freedom gyro element, an automatic starting-cycle circuit, an integral gravity erection system, roll and/r pitch erection cutout switches and a provision for the external application of fast erection when desired. The input power requirement is 115 volts AC, 400 Hz, 3 phase. The following item is used when installing the DM-1:

MT41 77/A.....Mount  
or  
110552-01 (Lear).....Mount

**2. Applicable Tools and Test Equipment:**  
Not applicable.

**3. Applicable Publications:**  
Not applicable.

(Illustration Not Available)

*TRU-2A/A Gyro*

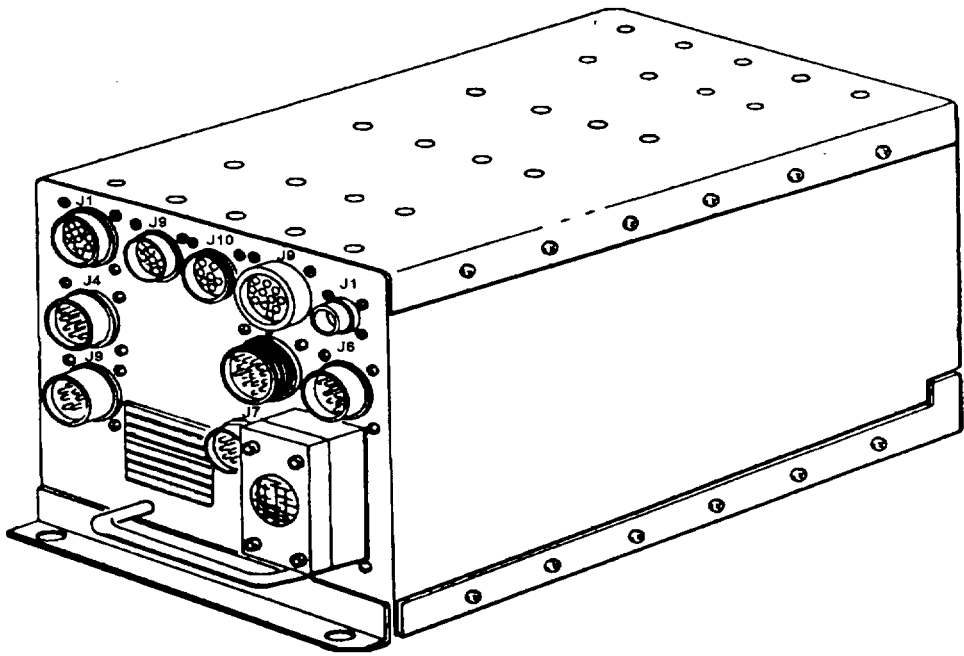
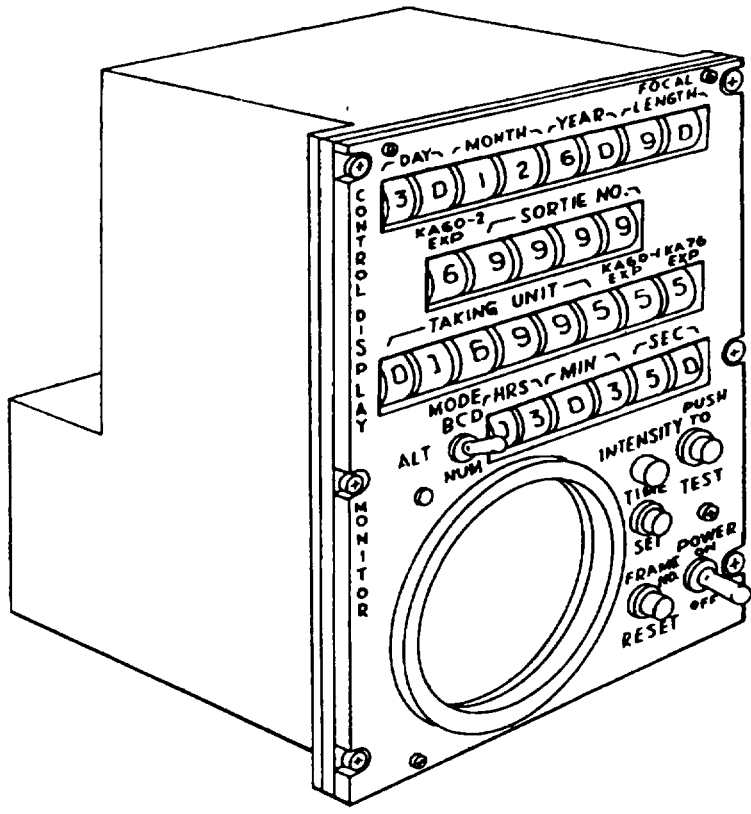
1. **Brief Description:** The TRUMNA Rate of Turn Gyro is installed in the AH-1S and UH-60A helicopters. Further details were not available at the time of this printing.:

2. **Applicable Tools and Test Equipment:**  
Not applicable.

3. **Applicable Publications:**  
Not applicable.

II-D-8

## CONTROL/DISPLAY EQUIPMENT



AN/AYA-10 Airborne Data Annotation System

**1. Brief Description:** The AN/AYA-10 Airborne Data Annotation System (ADAS) is a two unit miniaturized system which automatically converts digital and analog input signals to voltages suitable for information display on cathode ray tubes which in turn transcribe the data onto imagery from each sensor. It also provides a means for programming input signals and for visual monitoring of converted input signals. The ANAYA-10 Airborne Data Annotation System is compactly integrated into two equipments: a control display monitor and signal data converter; CDM and SDC, respectively. The AN/AYA-10 ADAS operates in conjunction with the surveillance systems of the OV-1D aircraft. From the INS, data concerning northing, easting, ground speeding, drift angle, roll, pitch, radar altitude and barometric attitude are supplied to the ADAS which then annotates the data on the KA-60(C), KA-76, APS-94D, and MS-24 imagery. Signal information is also supplied from the two KA-60(C)'s, the KA-76, the IR surveillance and SLAR so that the data annotation is on the appropriate frames. Programmed fixed data such as calendar date, time of day, exposure, taking unit, sortie number, and mode can be put into the ADAS system. The ADAS automatically indexes the film records by annotating data appropriate to the conditions at the time of indexing. The data can be put on the film in either alphanumeric format (AN), binary coded decimal format (BCD), or alternating AN/BCD format. All indexing is in block form. The CDM contains a storage battery that is used to insure an accurate constant block count during temporary power fluctuations in the aircraft 28 volt supply. Major components of the AN/AYA-10 areas follows:

- C-8338AYA-10 .....Control Display Monitor
- CV-2647/AYA-10 .....Signal Data Converter
- MT-4539/AYA-0.....Mount (CV-2647)

The following items are used with, but are not a part of, the AN/AYA- 10:

- IP-1080/AYA..... Digital Display Indicator
- TR-253/AYA ..... Barometric Altimeter Transducer

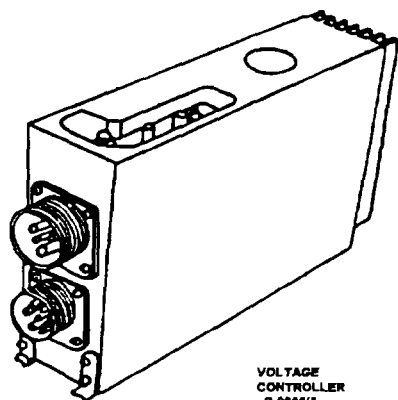
**2. Applicable Tools and Test Equipment:**

See Appendix B for nomenclature, NSN, etc.

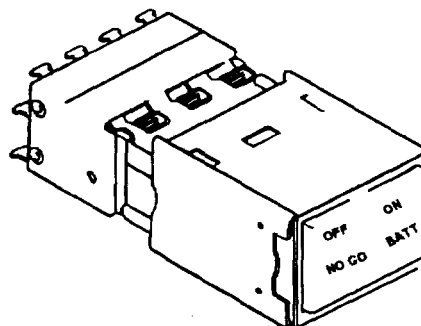
Type No.	AVUM/	AVIM
ANAYM-8		X
ANAYM-9		X
AN/URM-105C	X	
ANNRM-207A		x
AN/USM-223		X
AN/USM-281C		X
ME-202B		X
TK-1 00G		X
TK-11IG	X	
TK-105/G		X
MS-3191-1		X
M15500252		X
M1557416		X
M1557420		X
M1551322A		X
M15155122PA		X
Screw Driver, Special		X

**3. Applicable Publications:**

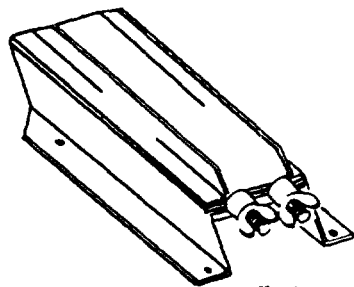
- TM 11-5850242-12
- TM 11-5850242-20P
- TM 11-5850242-34
- TM 11-585242-34P



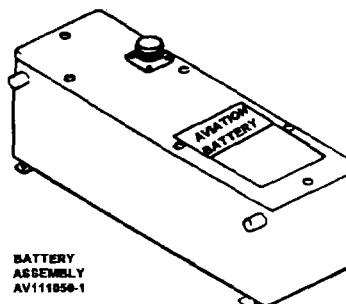
VOLTAGE  
 CONTROLLER  
 C-9606/A



INDICATOR-CONTROL  
 ID-1979/A



Mount  
 MT-4685/A



BATTERY  
 ASSEMBLY  
 AV11859-1

*OK-279/A Voltage Control Group*

**1. Brief Description:** The OK-279/A Voltage Control Group is designed to accept the fluctuating input from the aircraft primary DC power source and provide a constant, uninterrupted output. It will also suppress transients and spikes. Major components of the OK-279/A are:

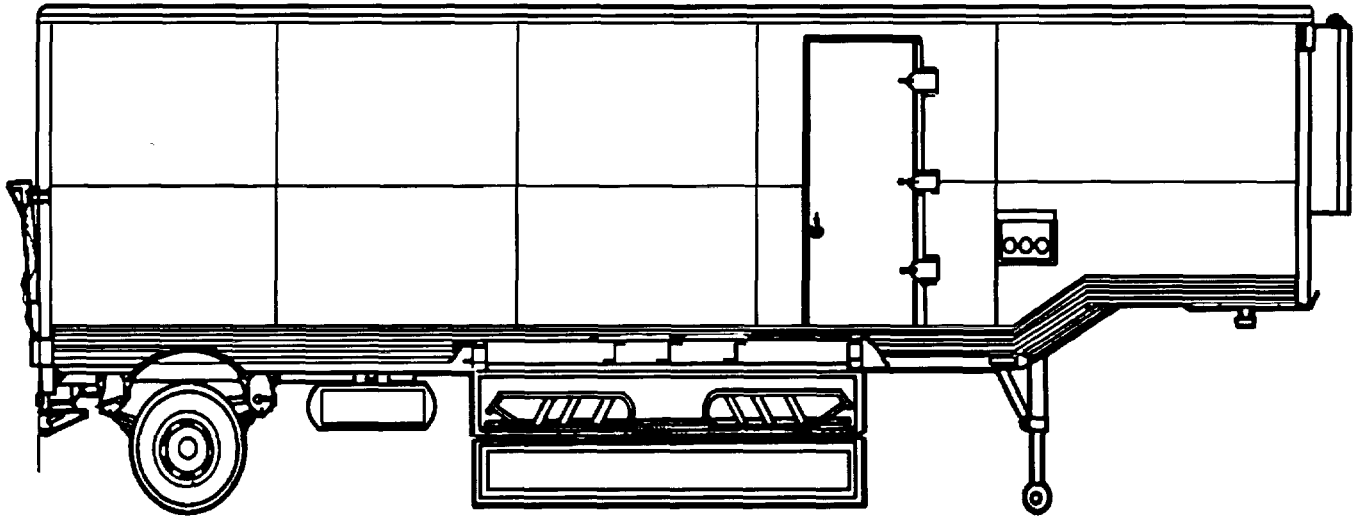
- BB-708/U(AV1 1050-1)..... Battery
- C-9606/A ..... Voltage Controller
- ID- 1 979/A..... Control-Indicator
- MT4685/A ..... Mount

Type No.	AVUM	AVIM
AN/SM-137		X
ANGSM-64B		X
ANUSM-223	X	X
ANSM-281C		X
PP-2309B4		X
PP-394_0G		X
TK 100/G		X
T-105/G	X	
TK-101/G		X
Tool, Crimping		X

**2. Applicable Tools and Test Equipment:**  
 See Appendix B for nomenclature, NSN, etc.

**3. Applicable Publications:**  
 TM 11-6110247-20  
 TM 11411024724P  
 TM 11-611247-34

**AIRCRAFT SURVIVABILITY  
EQUIPMENT**



*AN/ALM-153 Electronic Shop*

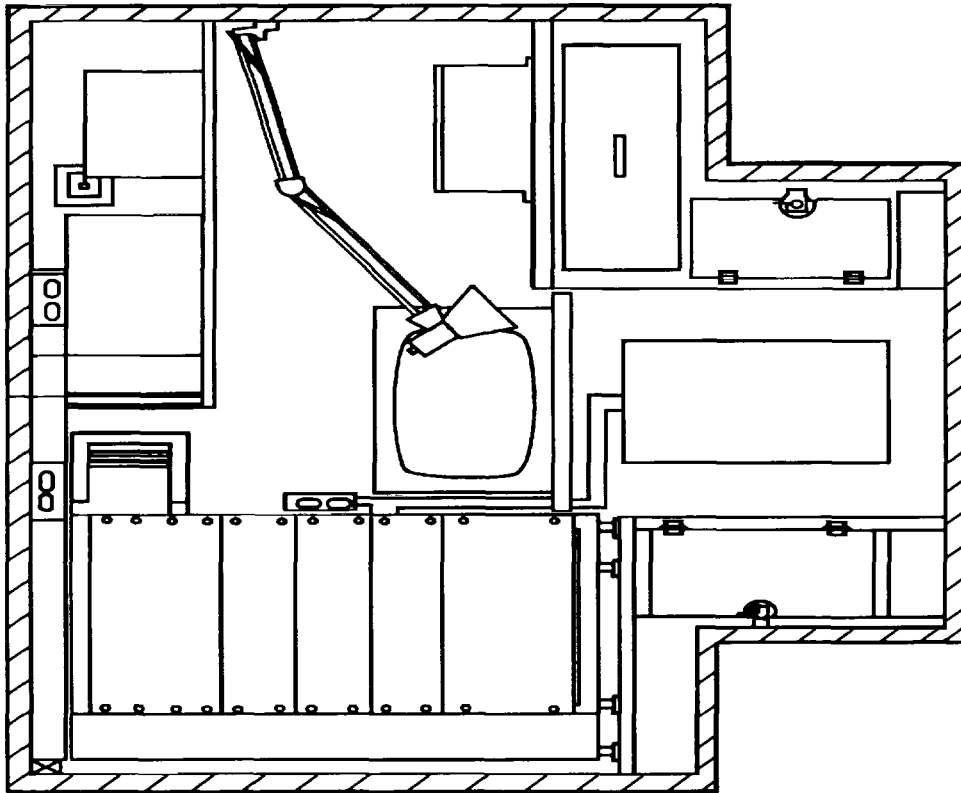
**1. Brief Description:** The AN/ALM-153 Electronic Shop is a part of the Quick Look II system. It contains necessary test equipment and facilities required for organizational, direct and general support maintenance of the QL II mission equipment (AN/ALQ-133, AN/USQ-61A, and AN/ALM-54). Refer to TM 11940-476-14 for a detail listing of the integral components and basic issue items.

**2. Applicable Tools and Test Equipment:**  
Not applicable.

**3. Applicable Publications:**  
TM 11-494047614 (Pertains to AN/ALM-153)  
TM 11-940-476-24P (Pertains to AN/ALM-153)  
TM 11-940476-10-HR

TM 11-5895-82914 (Pertains to J-3238/ALM-153)  
TM 11-5898-224P (Pertains to J-3238/ALM-153)  
TM 11-662S-2646-14 (Pertains to TS-3447/ALM-153)  
TM 11-6622-646-24P (Pertains to TS-3447/ALM-153)  
TM 11-6622-647-14 (Pertains to SM-699/ALM-153)  
TM 11-6625-2647-24P (Pertains to SM-699/ALM-153)  
TM 11-6622-649-14 (Pertains to C-9632/ALM-153)  
TM 11-6622-6424P (Pertains to C-9632/ALM-153)  
TM 11-6622-650-24P (Pertains to SM-700/ALM-153)  
TM 11-6622-651-14 (Pertains to CU-2105/ALM-153)  
TM 11-6622-651-24P (Pertains to CU-2105/ALM-153)  
TM 11-6622-654-14 (Pertains to C-9539/ALM-153)  
TM 11-6622-654-24P (Pertains to C-9539/ALM-153)





AN/ALM-154 Flight Line Test Set

**1. Brief Description:** The AN/ALM-154 Flight Line Test Set is a part of the Quick Look II system. It is designed to perform flight line maintenance/operation functions on the AN/ALQ-133 and AN/USQ-61 installed in the RV-1D aircraft. It can be used to perform a preflight system test, load the AN/ALQ-133 computers, perform post flight test and obtain mission data dump. The AN/ALM-154 is also capable (isolating failures to a line replaceable unit (SRU)

Major components are:

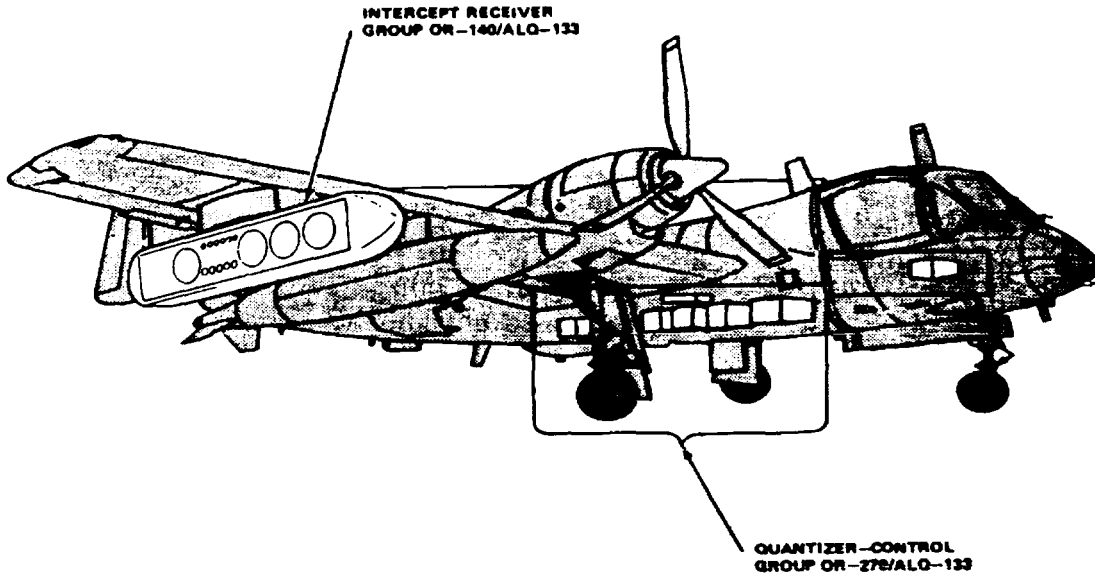
- AN/USM-223 .....Multimeter
- C-9632/ALM-153 ..... Maint-Operator Control Pane
- C-9633/UYK-23 ..... Maint-Operator Panel (2 ea)
- H-157/AIC ..... Headset-Microphone
- J-3238/ALM-153 ..... Interface Unit
- PP-2953JU ..... Power Supply
- RD-392/U ..... Tape Recorder-Reproducer

- RT-542ANRC ..... Receiver-Transmitter
- S-2501 ..... Shelter heater (Modified)
- SM-701&ALM-154 ..... Intercept Receiver Group Simulator
- 2000 (Hazeltine) ..... Video Display Terminal

**2. Applicable Tools and Test Equipment:**  
 Not applicable.

**3. Applicable Publications:**

- TM 11-5895-9510-1 (Pertains to AN/AL-133, AN/USM-393 and AN/ALM-154)
- TM 11-5895-955-10-2 (Pertains to AN/ALQ-133, AN/USM-393 and AN/ALM-154)
- TM 11-6625-2656-24 (Pertains to AN/ALM-154 only)
- TM 11-6625-2656-24P (Pertains to AN/ALM-154 only)



*AN/ALQ-133 Countermeasures Receiving Set*

**1. Brief Description:** The AN/ALQ-133 Countermeasure Receiving Set is a pod of the Quick Look II system and is installed in the RV-1D aircraft. It collects data pertaining to real-time location of electromagnetic emitters and electronic order-of-battle (EOB) information and relays that data to the AN/USM-393 ground based simulator via the AN/USQ-61 secure data link. Major components of the AN/ALQ-133 are:

OK-270/ALQ-133 - Quantizer-Control Group consisting of:

- ANIUYK-23 .....Digital Computer Set (2 ea)
- BB-507 .....Battery
- C-9537/ALQ-133 .....Monitor-Controller
- C-9538/ALQ-133 ..... Indicator Control
- CU-2104/MALQ-133 .Power Divider (2 ea)
- O-1672/ALQ-133 .....Frequency Synthesizer (2 ea)
- PP-7035/ALQ-133 .....Power Supply

OK-140/ALQ-133..Intercept Receiver Group (2 ea) consisting of:

- AS-2994/ALQ-133 .....Spiral Antenna (4 ea)
- C-9536/ALQ-133 ..... Power Supply Control
- CM /ALQ-133 .....Phase Comparator
- CM-447/ALQ-133 ..... Signal Comparator
- CVo3171/ALQ-133 ....Converter-Processor
- CV-3174LQ-133 .....Frequency Conveder (2 ea)
- CV-3395/ALQ-133 ... Converter-Processor Group consisting of

AS-2995/ALQ-133 .....Spiral Antenna (5 ea)

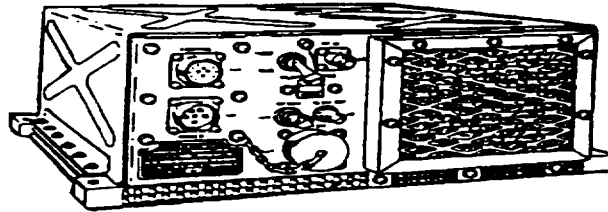
- CV-31 72/ALQ-133 ..... Converter-Processor
- CV-3396/ALQ-133..... Converter-Processor Group consisting of
- AS-2996/ALQ-133 ..... Spiral Antenna (4 ea)
- AS-2997/ALQ-133 ..... Trigger Antenna
- AS-2998/A LQ-133 ..... Trigger Antenna
- CV-3173/ALQ-133 ..... Converter-Processor
- CY-7410/ALQ-133 ..... Intercept Receiver Pod

**2. Applicable Tools and Test Equipment:**

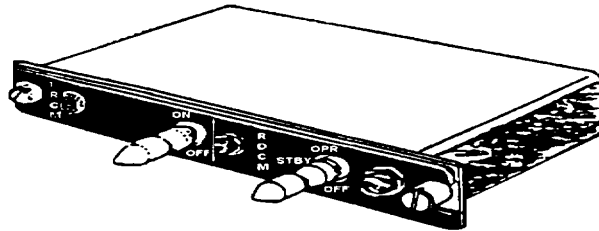
Not applicable.

**3. Applicable Publications:**

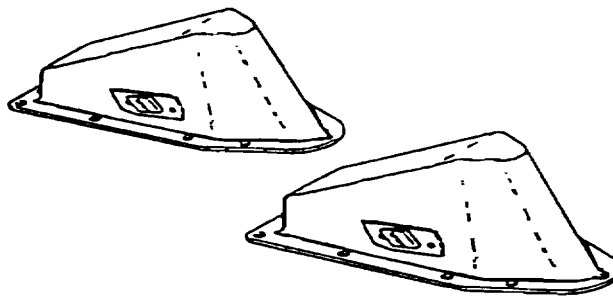
- TM 11-589831-21 (Pertains to ANALQ-133 only)
- TM 11-5895831-24-2 (Pertains to AN/ALQ-133 only)
- TM 11-589831-24P (Pertains to ANALQ-133 only)
  - TM 11-5895831-24-3
- TM 11-58959510-1 (Pertains to AN/ALQ-133, AN/SM-393 and AN/ALM-154)
- TM 11-5895-9510-2 (Pertains to AN/ALQ-133, ANUSM-393 and AN/ALM-154)
- TM 11-5895-9551HR



RECEIVER/TRANSMITTER ASSEMBLY (RT-1149)  
 (01-191-7249)



OPERATOR CONTROL UNIT (C-9576)  
 (01-100-0380)



ANTENNAS (AS-3007)  
 (01-125-0297)

*AN/ALQ-13(V)1 Countermeasures Set Components*

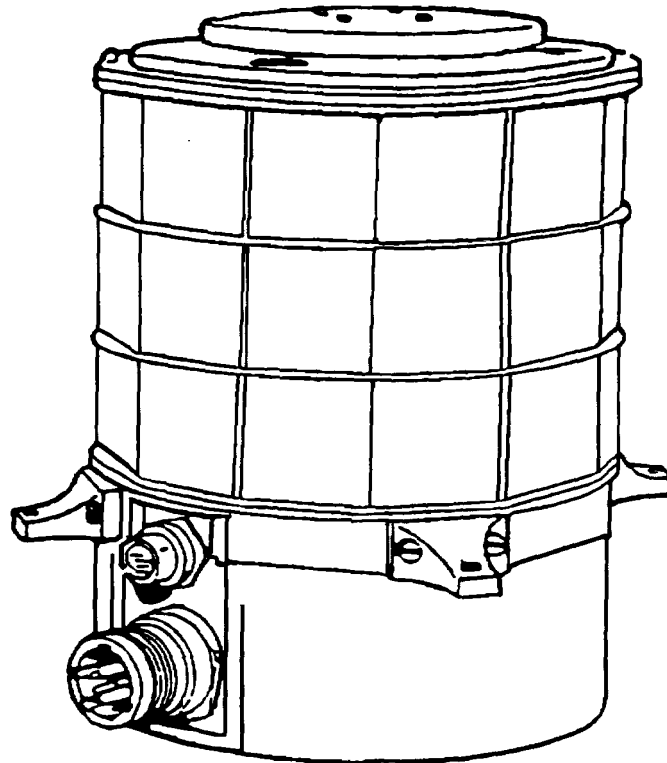
**1. Brief Description:** The AN/ALQ-136A(V)1 Countermeasures Set (CMS) is an automatic radar jammer that analyzes incoming radar signals from threat air defense acquisition and tracking radar's. When signals are identified, as from a threat source, jamming automatically begins and continues until the threat radar breaks lock. The system ceases jamming and continues to receive and analyze radar signals. The AN/ALQ-136A(V)1 has the ability to defeat two threats simultaneously and is designed for the AH-1S (modernized) helicopter. The AN/ALQ-136(V)2, AN/ALQ-136(V)3, AN/ALQ-136(V)4 and the AN/ALQ-136(V)5 are all similar to the AN/ALQ-136A(V)1 version but are designed for specific amplification (ALQ-136(V)2 for the OV-10, RV-1; ALQ-136(V)3 for the RU, II-F-4

RC-12; AL-136(V)4 for EH-1, EH-60; ALQ-136M5 for the AH-64). Major components are:

- AN/ALI-136AM1
- AS-3007/ALQ-136
- C-9576LQ-144
- RT-1149f/ALQ-136A

**2. Applicable Tools and Test Equipment:**  
 Not applicable.

**3. Applicable Publications:**  
 TM 11-5865-202-20P (Pertains to AN/ALQ-13A(M) 1)  
 TM 11-5865-202-30P (Pertains to AN/ALQ-136A ( 1)



AN/ALQ-144(V) Transmitter

**1. Brief Description:** The AN/ALQ-144A(V) Countermeasures Set is a small lightweight, omnidirectional infrared (IR) jammer which confuses the guidance mechanism of threat infrared missiles. There are two configurations of the AN/ALQ-144AM which differ only in the Operator Control Unit used. The (V) system used the C-10280/ALQ-144A which controls only the T-1360(V)1/ALQ-144A. The (V)3 system uses the C-9676/ALQ-144 which controls both the T-1360/ALQ-144A and the ANALQ-136A which is described elsewhere in this publication. Major components of the two systems are:

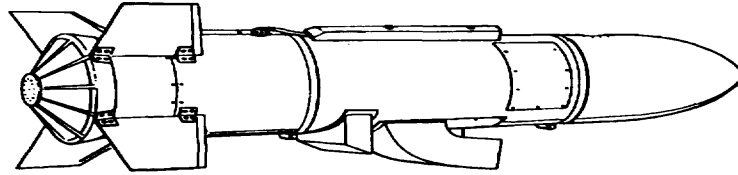
- ANALQ-144(V)1
  - C-10280/ALQ-144A ..... Operators Control Unit
  - CY-7611/ALQ-144A ..... Transit Case
  - T-1360(V)1/ALQ-144A ..... Transmitter
- AN/ALQ-144(V)3
  - C-9576/ALQ-144A ..... Operators Control Unit
  - CY-7611/ALQ-144A ..... Transit Case
  - T-1360(V)1/ALQ-144A ..... Transmitter

**2. Applicable Tools and Test Equipment:**  
 See Appendix B for nomenclature, NSN, etc

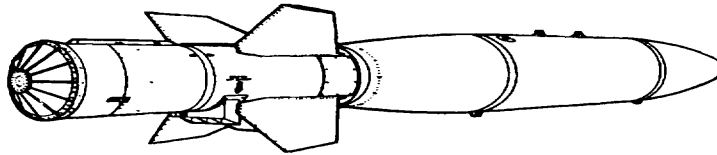
Type No	AVUM	AVIM
AN/ALM-178		X
AN/USM-207A		X
ANUSM-223G		X
ANUSM-281C		X
TK-100 G		X
TK-101/G	X	
TK-105/G		X

**3. Applicable Publications:**

- TM 11-5865200-12
- TM 11-586200-20P
- TM 11-586200-34-1
- TM 11-5865200-34-2
- TM 11-586s200-34P



a. AN/ALQ-147A (V)1



b. AN/ALQ-147A (V)2

AN/ALQ-147A(V) Countermeasures Set

**1. Brief Description:** The AN/ALQ-147A(V) Countermeasures Set is designed to provide an effective airborne countermeasure against Infrared (IR) seeking missiles. Further details pertaining to the description of this equipment are classified. There are two configurations of the AN/ALQ-147A(as follows:

- AN/ALQ-147A(V)1 - A "stand-alone" version (includes a 12 gallon fuel tank) installed on OV-1D aircraft.
- ANALQ-147A(V)2 - Mounts on the rear of a modified 150 gallon wing tank on RV-1D aircraft.

Major components are:

	VI
	V2
C-10698ALQ-147A(V) Operator Control Unit	1
1	
CY-7783/ALQ-147A(V) Transmitter Transit Case	1
CY-7784/ALQ-147A(V) Transmitter Transit Case	1
1	
CY-7785ALQ-147A(V) Modulator Transit Case	1
1	
MD-1074/ALQ-147A(V) Modulator Assembly	1
1	

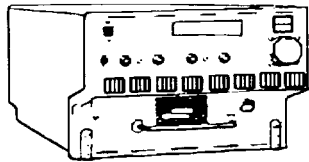
	VI	V2
T-1407MLQ-147AM Transmitter Assembly	1	
T-1408AL-147A(V) Transmitter Assembly		1

**2. Applicable Tools and Test Equipment:**  
 See Appendix B for nomenclature, NSN, etc.

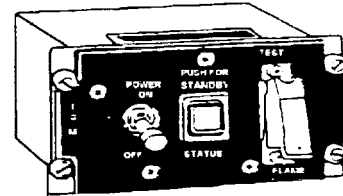
Type No.	AVUM	AVIM
AN/ALM-168A	X	X
ANNSM-207		X
ANUSM-223	X	X
AN/USM-281		X
TK-100/G		X
TK-101	X	
TK105/G		X

**3. Applicable Publications:**  
 Not Applicable.

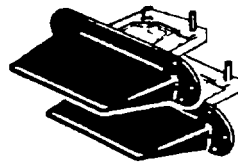
TB 43-0123  
 AN/ALQ-1 56(V)1  
 5865-01-145-5197  
 KDP  
 AN/ALQ-156(V)2  
 5865-01-156-0450  
 KD3  
 AN/ALQ-156(V)3  
 5865-01-156-0459  
 KD2



RECEIVER TRANSMITTER (RT-1220)  
 (01-136-5832)

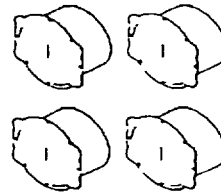


CONTROL INDICATOR (C-10131)  
 (01-134-3154)

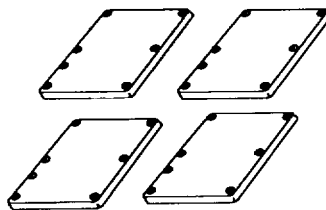


ANTENNAS (AS-3149)  
 (01-134-3181)

*AN/ALQ-156(V)1 Missile Approach Detector Components*



*AN/ALQ-156(V)2 Missile Approach Detector Components*



ANTENNAS (AS-3648)  
 (01-162-8084)

*AN/ALQ-156(V)3 Missile Approach Detector Components*

*AN/ALQ-156(V) 1/2/3 Countermeasures Set*

1. **Brief Description:** The AN/AL-156M1), M2, and (V)3 a airborne radar systems which provide protection to the aircraft in which they are installed by detecting the approach of antiaircraft missiles. Upon detection, the missile detector automatically initiates a

countermeasures signal which may be used to trigger the M-130 Dispenser System. The dispenser system releases a flare to decoy an infrared seeking missile away from the aircraft. The (V)1

TB 43-0123  
 AN/ALQ-1 56(V)1  
 5865-01-145-5197  
 KDP  
 AN/ALQ-1 56(V)2  
 5865-01-456-0460  
 KD3  
 AN/ALQ-1 56(V)3  
 5865-01-156-0459  
 KD2

version is designed to operate on the CH-47 aircraft. The (V)2 and (V)3 versions, currently in the full scale development phase, are designed for fixed wing aircraft (OV-1, RV-1, RC-12, and RU-21) and rotary wing (EH-60A) application, respectively Major components of the AN/ALQ-156M1 are: (components of the (V)2 and (V)3 version not defined at the time of this printing).

AS-3149AL-156) .....Antenna (2 ea)  
 C-10131AL-156(V) .....Control-Indicator  
 RT-1220ALO-156)M .....Receiver Transmitter

**2. Applicable Tools and Test Equipment:**

Type No	AVUM	AVIM
ANISM45		X
ANUSM-281C		X
ME-441/U(HP 43		X
MX-7772/U		X
TD- 1225(V)2		X
TK-101/G		X
TS-3609ALQ-156		X
P6008Ceknix)		X
Maintenance Assist Module (SM-O-991746)		X
Torque Wench		X

**3. Applicable Publications:**

TM 11-5865-201-12  
 TM 11-5865201-20P  
 TM 11-5865-201-30-1  
 TM 11-5826-201-30P

**(Illustration Not Available)**

*AN/ALQ-162(2 Countermeasures Set*

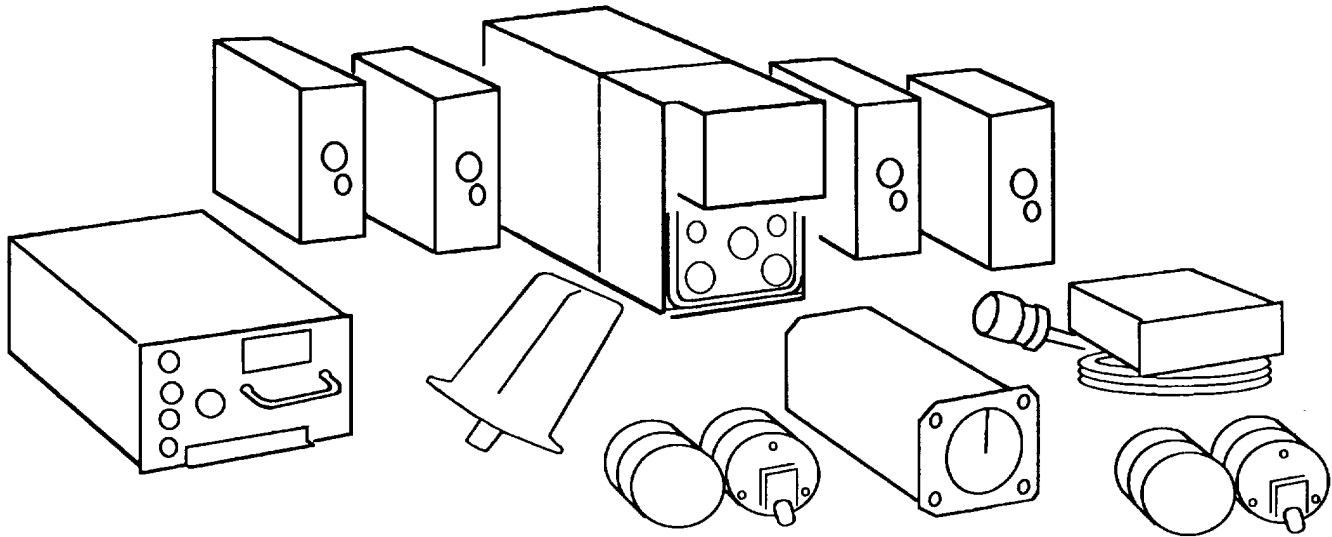
**1. Brief Description:** The ANALQ-162(V)2 Countermeasures Set provides warning and protection against Surface-to-Air Missiles and Airborne interceptor missiles that use Continuous Wave (CW) for guidance. The CW signals detected by the system will be validated and either jamming will be initiated and/or warning will be given to the crew. The specific action taken by the system is determined by warning and jamming thresholds preprogrammed in the system. Warning /Jamming information will be visually displayed on the ANAPR-39 Radar Detecting Set Indicator. When deployed, this system will replace the AN/APR-44M1 and the AN/APR-44(V)3 Radar Warning Systems. Major components of the ANALQ-162(V)2 are:

AS-3554/ALQ-162M )..... Antenna (2 ea)  
C-11080/ALQ-162(V) ..... Control  
RT-1377/ALQ-162(V) ..... Receiver-Transmitter

**2. Applicable Tools and Test Equipment:**  
Not Applicable.

**3. Applicable Publications:**  
TM 11-5865-229-12  
TM 11-5865-229-20P





AN/ALR-46(V) Countermeasures Receiving Set

**1. Brief Description:** The AN/ALRM Countermeasures Receiving Set is an airborne system which enables the crew of tactical aircraft to detect the presence of threat radar signals and to identify certain characteristics of those signals. A more detailed description of this system is classified. The AN/ALR-46(V) is essentially a produce improved AN/APR-25/6 system and includes the following major components:

- AM-6639/ALR46(V).....Amplifier-Detector (4 ea)
- CM-442/ALR-4 6M.....Signal Processor
- ID-1902mALR-46).....Indicator-Control
- IP-57/APR-36(V)..... Azimuth Indicator  
or
- 31-011203-01.....Azimuth Indicator
- R-1854/ALR46M(V).....Receiver
- AST-1503A .....Spiral Antenna (4 ea)
- 21-036312-0A .....Blade Antenna

Type No	AVUM	AVIM
AN/APM-379		X
CN-1201J		X
PP-3940AG		X
SG-340NG		X
SG-944		X
SM-568/APM-327	X	
SM-683/APM-327A	X	
SM-684/APM-327A	X	
TK- 100/G		X
TK-101/G	X	
TK-105/G		X
UG-274A/U		X
GRFF1029-0001		X
M 15500-20		X
M15513-20		X
M 15514-20		X
M 15570-20		X
RJE-10 X		
T 8438 X		
TTF-750-5-EE		X
TTF-1 S50-5-EE		X
8403A	X	
8731B	X	
8732B		X
8733B		X
8734B X		
Temperature Meter		X
Temperature Probe		X

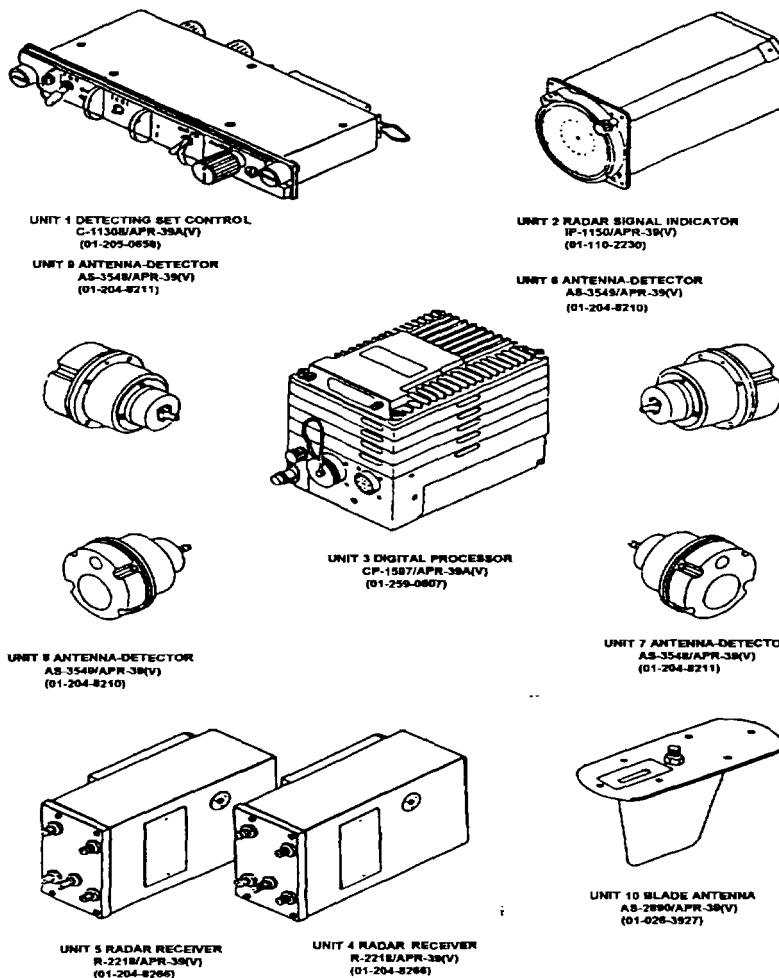
**2. Applicable Tools and Test Equipment:**

See appendix B for nomenclature, NSN, etc.

Type No	AVUM	AVIM
AN/APM-379		X
AN/APM-380		X
AN/APM-381		X
ANGSM-64B		X
AN/UPM-15A		X
AN/URM-52A		X
AN/URM-61A		X
AN/USM-161		X
AN/USM-207A		X
AN/USM-223		X
AN/USM-281C		X
CM-77USM		X

**3. Applicable Publications:**

TM 11-589593314



*AN/APR-39(V)1 Radar Signal Detecting Set*

**1. Brief Description:** Radar Signal Detecting Set AN/APR-39(V) is a passive omnidirectional radar receiver. The equipment receives and displays to the aircraft pilot, or other observer, information concerning the radar environment surrounding the aircraft. The equipment responds to those radars usually associated with hostile fire control tracking radars by providing visual and aural indications of the presence of and the direction to emitters. Non-threat radars are generally excluded. The radar receiver also accepts missile guidance radar signals. Visual and aural displays are uniquely identified to warn the observer an emitter has become a potential threat. Input power requirement for the AN/APR-39(V) is 28 volts DC at 1.1 amps. There are two configurations of the AN/APR-39M as follows:

- AN/APR-39(V) consists of
- AS-2890/APR-39M .....Blade Antenna
  - AS-2891/APR-39(V) .....Right Spiral Antenna (2 ea)

- AS-2892/APR-39(V) .....Left Spiral Antenna (2 ea)
- C-9326/APR-39(V) .....Control
- CM-440/APR-39M.....Comparator
- IP-1150/APR-39(V) .....Indicator
- R-1838/APR-39M.....Receiver (2 ea)

- AN/APR-39M(V)2 consists of
- AS-2890/APR-39(V) ..... Blade Antenna
  - AS-2891/APR-39(V) ..... Right Spiral Antenna (2 ea)
  - AS-2892/APR-39 ..... Left Spiral Antenna (2 ea)
  - C-0412/APR-39(V) ..... Control
  - CM480/APR-39(V) ..... Digital Processor
  - IP-1150/APR-39M ..... Indicator
  - R-1838/APR-39M ..... Receiver (2 ea)

**2. Applicable Tools and Test Equipment:**  
 See appendix B for nomenclature, NSN, etc.

<i>Type No</i>	<i>AVUM</i>	<i>AVIM</i>
AN APM-415		X
AN/APR-39M1		X
ANNSM-213		X
ANuSM-23	X	X
AN/USM-260		X
AN/USM-281C		X
MX-Z9848/APR-39/(V)		X
SG-944		X
SG-1105U (2 ea)		X
SM-674/UPM	X	X
TK-101/G	X	
TK-105/G		X
T8438	X	X
8403A		X
8491810		X
8731 B		X
8734B		X

\*Applicable to ANAPR-39(V)2 only.

**3. Applicable Publications:**

- TM 11-5841-283-12
- TM 11-5841-283-24P
- TM 11-5841-283-15
- TM 11-5841-283-34-1
- TM 11-5841-283-34-2
- TM 11-5841-288-12
- TM 11-5841-288-24P
- TM 11-5841-294-12
- TM 11-5841-294-30-2

**(Illustration Not Available)**

*ANAPR-39A(V) 1 Radar Signal Detecting Set*

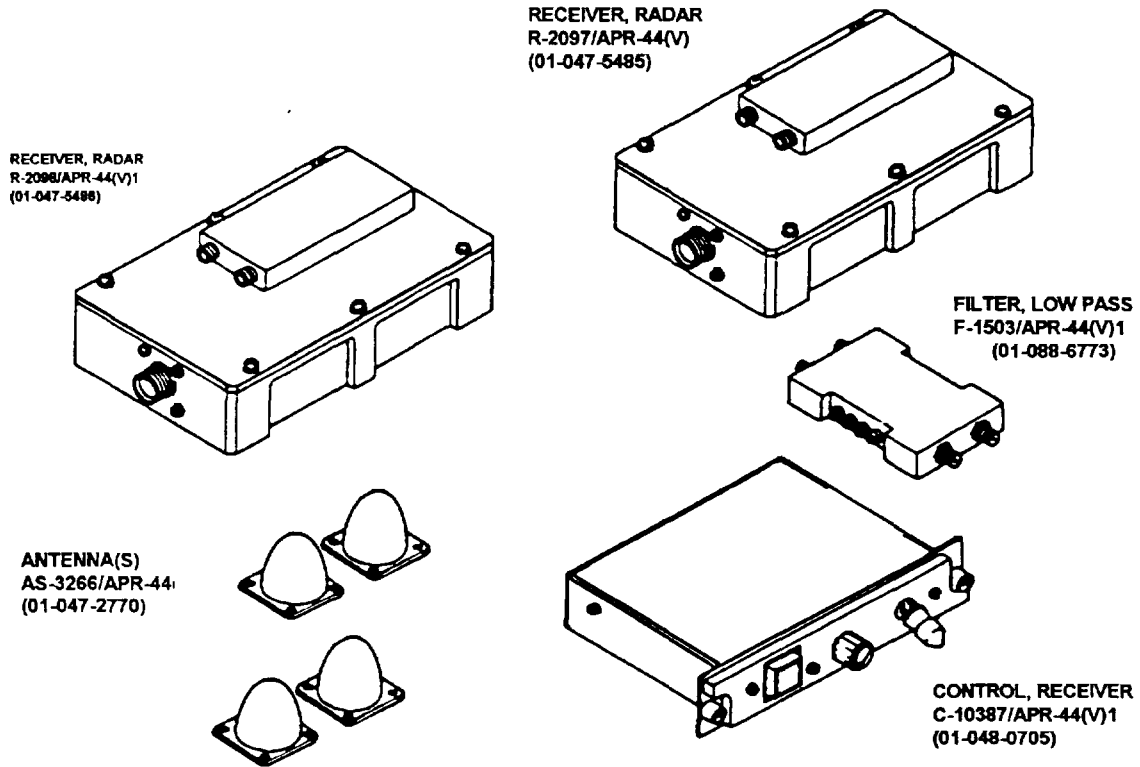
**1. Brief Description:** The AN/APR-39A(V)1 Radar Warning Receiver is a special version of the ANAPR-39(V)1 which utilizes a digital processor and alphanumeric display and synthetic voice warning to provide warning of radar directed air defense threat systems. The AN/APR-39AM1 was designed to be compatible with aircraft provision of the AN/APR-39(V)1 Radar Detecting Set. The existing ANAPR-39(V)1 indicator is retained whereas all other Line Replaceable Units (LRU) are new. The radar threat capability is much greater than the (V)1; however, the threat display is changed to alphanumeric as opposed to the strobe in the (V)1 system. Synthetic voice warning and display symbols occur simultaneously.

**3. Applicable Publications:**

TM 11-5841-283-12  
TM 11-5841-283-24P  
TM 11-5841-283-15  
TM 11-5841-283-34-1  
TM 11-5841-283-34-2  
TM 11-5841-288-12  
TM 11-5841-288-24P  
TM 11-5841-294-12  
TM 11-5841-294-30-2

**2. Applicable Tools and Test Equipment:**

Type No	AVUM	AVIM
MX-9848/APR 39(V)		X
SM-674/UPM	X	



AN/APR-44(V)3 Radar Warning System

**1. Brief Description:** The AN/APR-44(V)1 is used to detect CW radar guidance systems aimed at aircraft. Detection is indicated by a lighted lamp and a tone heard on the headset. A logic signal is also produced for external use as required. The AN/APR-44(V)1 system will detect C guidance signals associated with surface-to-air (SAM) missiles while the AN/APR-44(V)3 system will detect both SAM and airborne intercept (AI) guidance signals. Major components of the two systems are:

AN/APR-44(V)1 consists of:

- AS-3266/APR-44(V)..... Antenna (2 ea)
- C-10387/APR-33(V)..... Control
- F-1503/APR-44(V)..... Low Pass Filter
- R-2097/APR-44(V)..... Receiver

AN/APR-44(V)3 consists of:

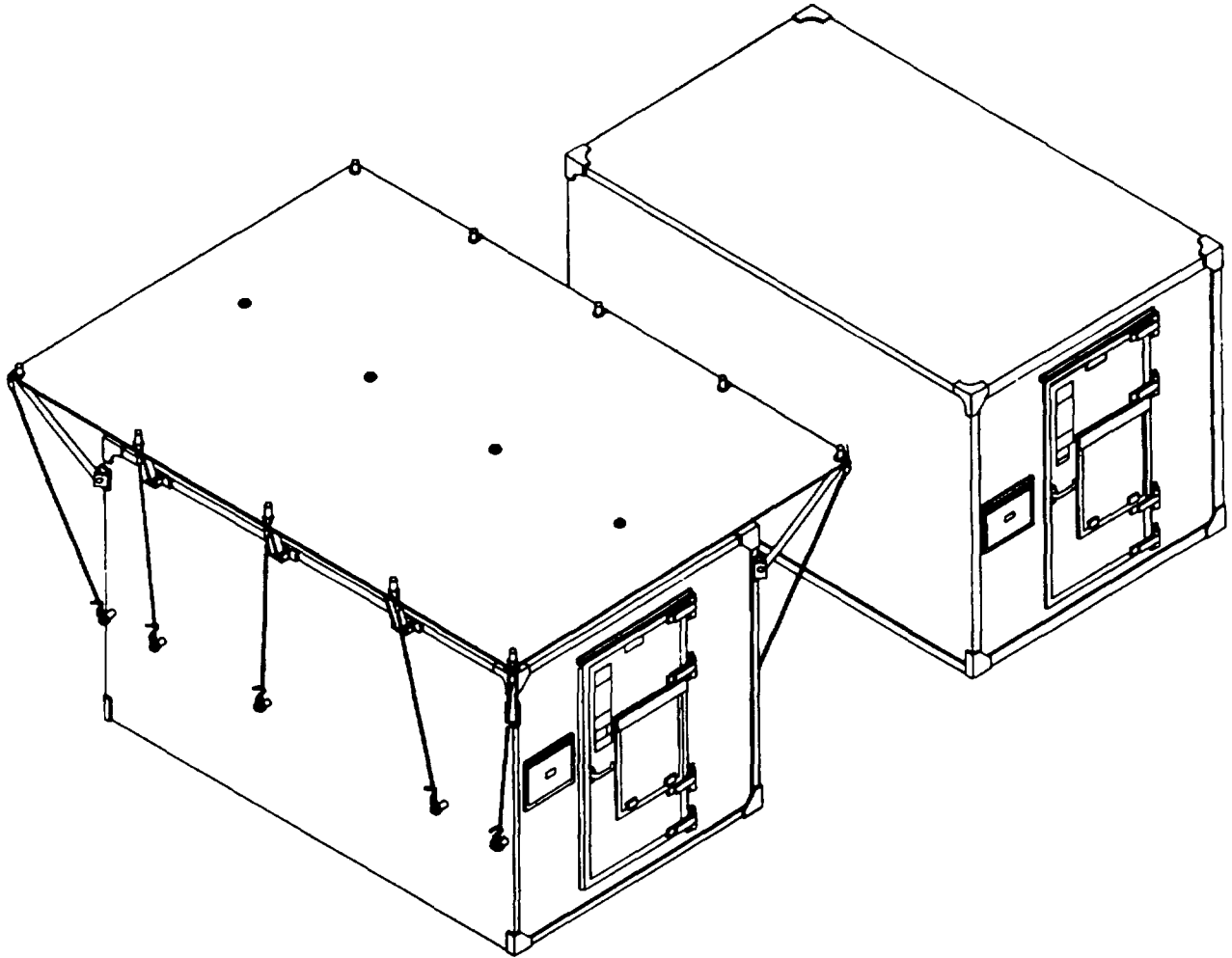
- AS-3266/APR-44(V)..... Antenna (4 ea)
- C-10387/APR-44(V)..... Control
- F-1503/APR-44..... Pass Filter
- R-2097/APR-44(V)..... Receiver
- R-2098/APR-44(V)..... Receiver

**2. Applicable Tools and Test Equipment:**  
 See Appendix B for nomenclature, NSN, etc.

Type No.	AVUM	AVIM
AN/USM-223	X	
SM-756/APR-44(V)	X	
TK-101G	X	
T8438	X	

**3. Applicable Publications:**

- TM 11-5841-291-12
- TM 11-5841-291-20P

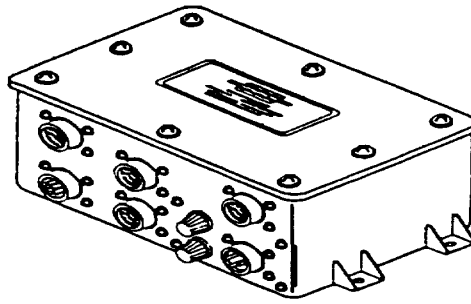


*AN/ARM-164 Maintenance Facility*

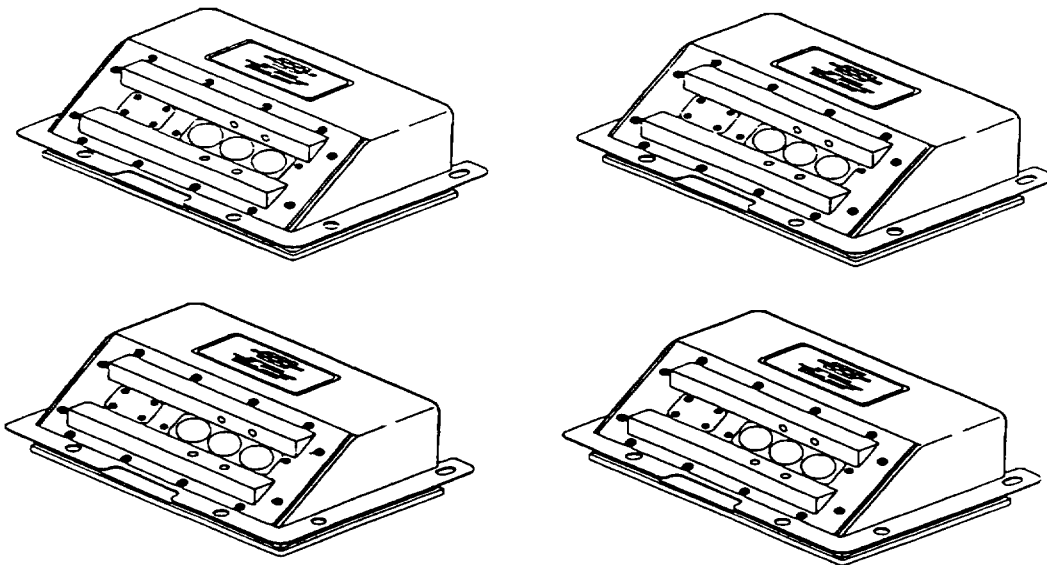
**1. Brief Description:** The ANARM-164 Maintenance Facility is a part of the Quick Fix I system. It consists of one S-551/ARM-164 Maintenance Shelter and two -552ARM-164 Storage Shelters.

**2. Applicable Tools and Test Equipment:**  
Not Applicable.

**3. Applicable Publications:**  
TM 1194047914  
TM 11-940-4723P



INTERFACE UNIT COMPARATOR (CM-493)  
 (01-115-4382)



AVR-2 SENSOR UNITS (SU-130)  
 (01-110-6666)

*AN/AVR-2 Laser Detecting Set*

**1. Brief Description:** The AN/AVR-2 Laser Detecting Set (LDS) is an airborne passive laser warning system which receives, processes, and displays threat information resulting from aircraft illumination by lasers. The threat information is displayed on the AN/APR-39A)1 Radar Detecting Set indicator. Major components of the AN/AVR-2 are:

- CM-493/AVR-2 ..... Interface Comparator
- SU-130/AVR-2..... Sensor (2 each)

**2. Applicable Tools and Test Equipment:**  
 See Appendix B for nomenclature, NSN, etc.

<i>Type No.</i>	<i>AVUM</i>	<i>AWM</i>
TS-3720AVR-2	X	
TS-3723AVR-2		X
TS4321/ARC2		X

**NOTE**

Other tool and test equipment requirements were not defined at the time of this printing.

**3. Applicable Publications:**

- TM 11-5841-301-12
- TM 11-5841-301-30-1
- TM 11-5841-301-30-2
- TM 11-5841-301-23P

(Illustration Not Available)

*KS-61A Photographic Surveillance System*

**1. Brief Description:** Photographic Surveillance System KS-61A is a complete system designed for both day and night aerial photography of terrain to provide map like displays. The KS-61A requires 27.5 volts DC at 36 amps. The major components of the KS-61A, covered elsewhere in this bulletin, are as follows:

- KA-30A .....Still Picture Camera  
or
- KA-30A-2 .....Still Picture Camera
- LA-136A .....Lens Cone Group
- LS-38 .....Control System  
or
- LS-38A .....Control System

**2. Applicable Tools and Test Equipment: Tool** and Test Equipment requirements for the major components of the KS-61A are listed on the individual data sheets found elsewhere in this publication.

**3. Applicable Publications:**

- TM 11-6720212-20P
- TM 11-672212-34P
- TM 11-672212-35
- TM 11-6720220-20P
- TM 11-672021245P/1
- TM 114720212-45P
- TM 11-672022045P



(Illustration Not Available)

KS- 113A Photographic Surveillance System

**1. Brief Description:** Airborne Photographic Surveillance System KS-113A provides automatic, continuous aerial mapping and single photography during day or night operations. The KS-113A is capable of still picture mapping over a wide range of aircraft terrain clearance and groundspeed. Still picture mapping is made possible by an image motion compensation (IMC) feature, which automatically controls film movement according to the ratio of aircraft ground speed to height above terrain. This IMC function, in effect plans stationary image on film. The camera control system controls select any of the available four operating modes (auto, pulse, pulse IMC and night and one of five camera depression angles (left 5 degrees, left 30 degrees, 90 degrees, right 15 degrees, and right 30 degrees). Input power requirements are 28 volts DC and 115 volts AC, 400 Hz, single phase. Major components of the KS-113A are as follows:

- KA-76A .....Camera, Still Picture
- LA434A .....Code Matrix Block, Recording
- LS-59A .....Flasher System
- LS-92A .....Photographic Control System
- C-8340M/A.....Control, Height-Ground Speed Ratio
- LA-162A .....Sight, Oblique (left)
- LA-163A. ....Sight, Oblique (right)
- LA-178A.....Tracker , Flight Line
- LA-406A .....Control, Power Supply
- LA407A .....Light Sensor, Camera
- LA-408A.. .....Mount, Camera
- or
- LA-408B .....Mount, Camera
- LA-409A .....Actuator Assembly, Rotary Mount, Positioning
- LA-432A .....Control Master, Camera

**2. Applicable Tools and Test Equipment:**  
 See Appendix B r nomenclature, NSN, etc.

Type No	AVUM	AVIM
AN/GSM-64		X
ANIURM-90		X
ANRM-1 05C	X	
ANUSM-223		X
ANuSM-281A		X
LA-360A	X	
LA-387A		X
LM-178A		X
LS-47A		X
LS-69A		X
LS-70A		X
LS-78A	X	
LS-80A		X
LS-89A	X	X
ME-202BAJ		X
ME-231/FYQ-5		X
PP-3940AG		X
PP-394/G		X
TK-77/G	X	X
TK-109/G		X
Vacuum Cleaner	X	X

**3. Applicable Publications:**

- TM 11-6720-250-12
- TM 11-6720-2520P
- TM 11-6720-25034P
- TM 11-7202535

(Illustration Not Available)

*QUICK FIX( ) Countermeasures Systems*

**1. Brief Description:** The Quick Fix( ) system is designed to provide the Division /Brigade Commander with a tactical airborne capability to intercept and jam enemy radio communications. The system consists of a ground based AN/ARM-164 maintenance facility plus the following mission equipment in the indicated aircraft:

System	Aircraft	Equipment
QF IIB	EH60A	ANALQ-151

**2. Applicable Tools and Test Equipment:**  
Not Applicable.

**3. Applicable Publications:** Technical publications for the Quick Fix( ) system are not available. Refer to applicable publications for each major component.

(Illustration Not Available)

*Quick Look II ELINT System*

**1. Brief Description:** The QUICK LOOK II system is an airborne, automatic, computer-controlled radar system which collects and classifies electronic intelligence (LINT) data. The airborne equipment is integrated into a RV-ID aircraft. The remainder of the system is mounted in several surface vehicles. The QUICK LOOK II system receive ELINT data with the airborne components. The collected information is processed on-board prior to being transmitted via a data link to a ground terminal. The input from the aircraft is further processed on the ground and then selectively transmitted to the appropriate users. The system also features the capability of pre-flight checkout, post-flight interpretation, and field maintenance. The QUICK LOOK II system consists of the common avionics equipment installed on the RV-ID aircraft plus the following major items of mission equipment (see individual data sheets for brief description:

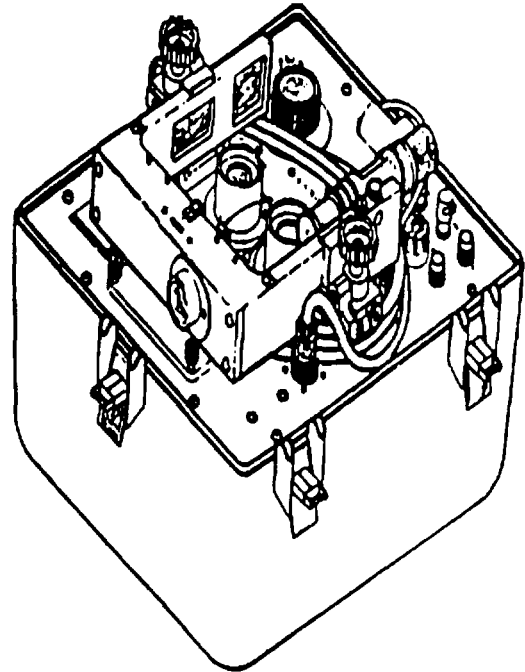
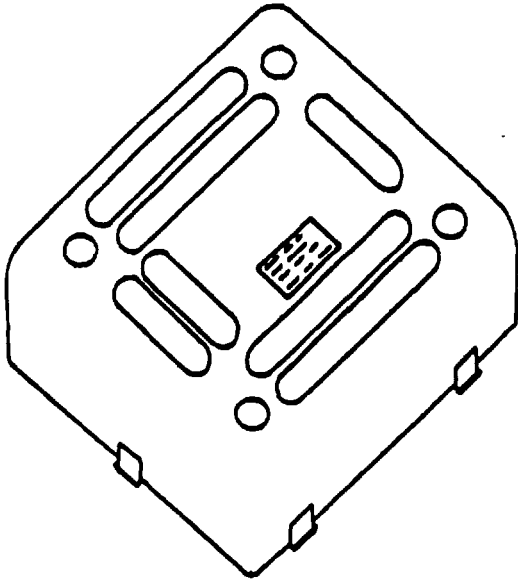
ANALM-153 ..... Electronic Shop  
AN/ALM-1 54 ..... Flight Line Test Set  
ANALQ-133 ..... Countermeasures Receiving Set  
(installed in aircraft)  
ANUSM-393 ..... Simulator Set  
ANISQ41 ..... Digital Data Set (installed in  
aircraft)

**2. Applicable Tools and Test Equipment:**

Tools and test equipment required to maintain the QL II mission equipment a contained in the ANALM-153.

**3. Applicable Publications:**

Technical publications fr the Quick Look II System am not available. Rear to applicable publications for each major component.

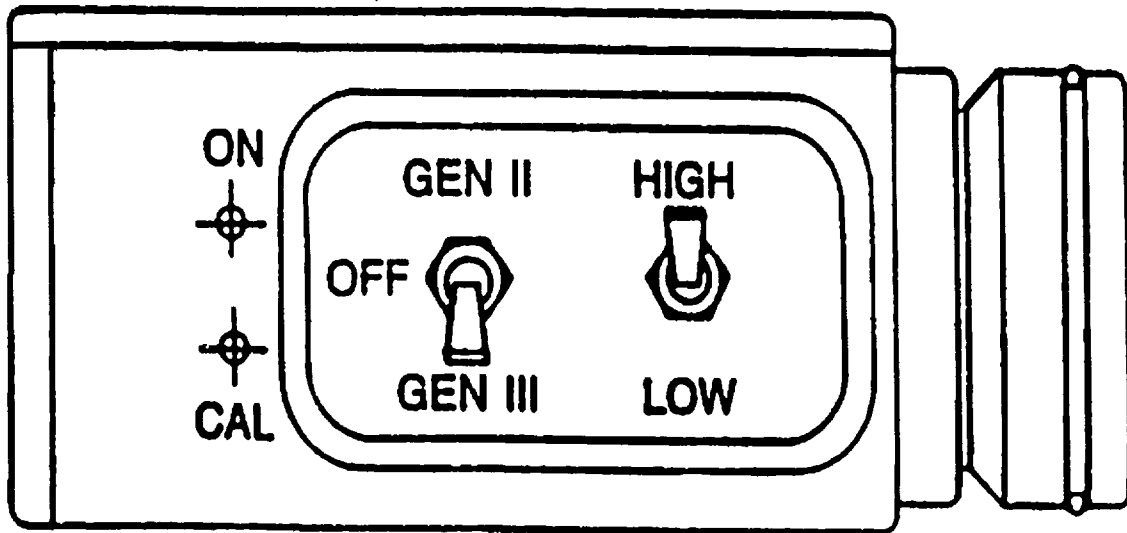


*TS-3895/UV Test Set, Electronics System*

**1. Brief Description:** Provides performance testing for AN/AVS-6, ANIPVS-5 series and ANIPVS-7 series night vision goggles on a go/no go basis. It is intended for use at intermediate maintenance levels combined with an attachment kit commodes of a collimation attachment and a diopter scope, it can also be used for adjustment of NVGs during disassembly and repair.

**2. Applicable Tools and Test Equipment:**  
Not Applicable.

**3. Applicable Publications:**  
TM 11-5855-264-14



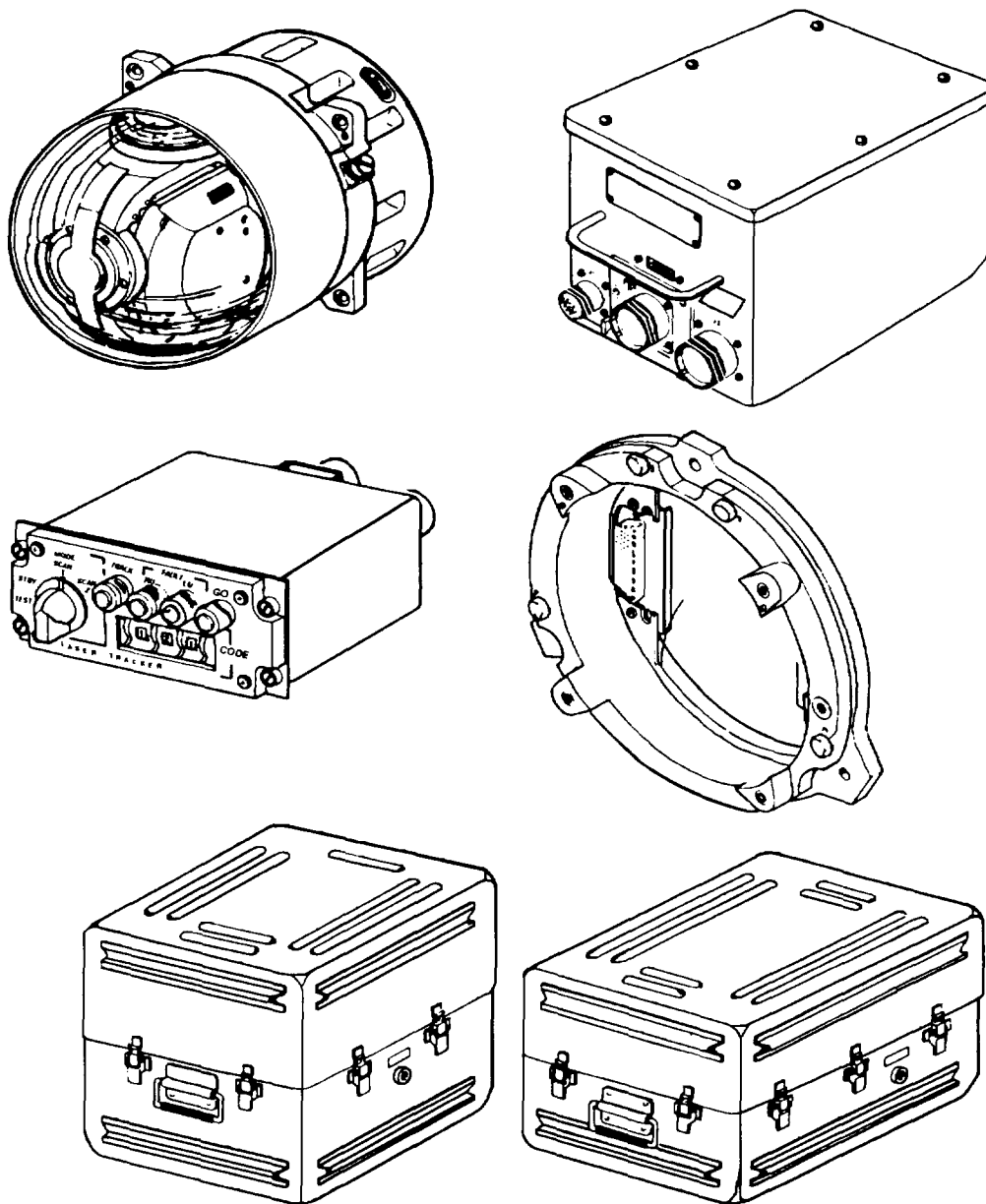
*TS-4348/UV*

**1. Brief Description:** Lightweight, handheld testing device used to subjectively assess the operational performance of AN/PVS-7, AN/PVS-5, AN/AVS-6 (ANVIS) AN/PVS-4, AN/TVS-6 and AN/VS-2 To be used at unit direct support and general support maintenance levels. This is a secondary item.

**2. Applicable Tools and Test Equipment:**  
Not Applicable.

**3. Applicable Publications:**  
Not applicable.

## TARGET ACQUISITION EQUIPMENT



*AN/AAS-32 Airborne Laser Tracker*

**1. Brief Description:** Airborne Laser Tracker (ALT) AN5AAS-32 is an aircraft mounted system assigned to automatically scan terrain, detect and lock onto a laser designated target. The ALT relies upon a target spotter (a soldier on the battlefield itself or in another helicopter) who, equipped with a laser designator, can train a coded laser beam on the target. The ALT receiver on board the aircraft can detect low level energy reflecting from the laser spot. The ALT scans the terrain, finds and tracks the target, and its output can be used to aim the aircraft's optical sight (telescopic sight unit. Primary power input

requirements are 28 volts DC @ 5.0 amps 115 volts AC, 400 Hz at .25 amps. Major components of the AN/AAS-32 are:

- C-641( )/AAS-32.....Laser Tracker Control
- MX-9623( )AAS-32..... Electronic Component Assembly
- R-1920( )AAS-32 .....Laser Receiver-Tracker

The following components a used with but not part of the AN/AAS-32:

CY-7440/AAS-32 .....Case, Receiver-Tracker  
 CY-7441AS-32 Case.....Electronic Component  
 Control  
 MT-4698/AAS-32 .....Mount (R-1920)

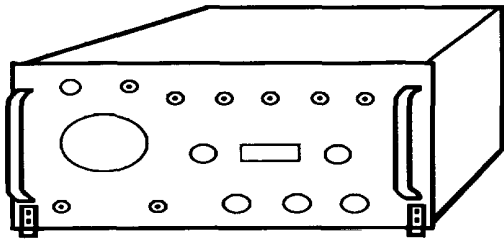
**3. Applicable Publications:**

TM 11-586-200-12  
 TM 11-586-200-23P  
 TM 11-5860-20030

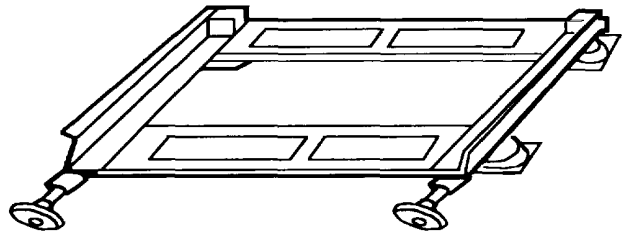
**2. Applicable Tools and Test Equipment:**

<i>Type No.</i>	<i>AVUM</i>	<i>A WM</i>
ANAAM-55		X
AN/AAM-56	X	
ANTAST		X
ANuSM-281C		X
ANUSM459		X
ME-26B/U		X
OS-262(P)U		X
PP-3940/G (2 ea)		X
SG-1171U		X
TK-100/G		X
TK-101/G	X	
TK-105/G		X
Tank, Nitrogen		X

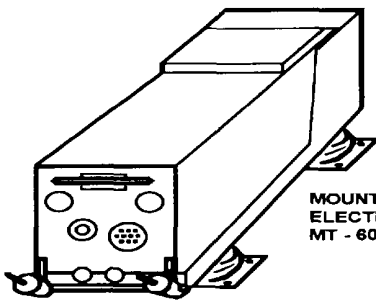




ENCODER, VIDEO  
 KY - 865/AKT - 18

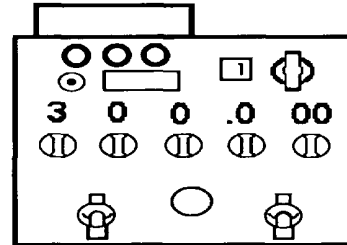


MOUNTING BASE,  
 ELECTRICAL EQUIPMENT  
 MT - 6106/AKT - 18B



RECEIVER - TRANSMITTER,  
 RADIO  
 RT - 1288/ARC - 164 (V)

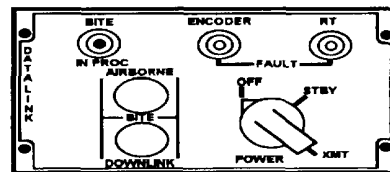
MOUNTING BASE,  
 ELECTRICAL EQUIPMENT  
 MT - 6017/ARC - 164 (V)



CONTROL, RADIO SET  
 C - 10547/ARC - 164 (V)



ANTENNA  
 AT - 450/ARC



CONTROL, DATA LINK  
 C - 10546/AKT - 18

*AN/AKT-18( ) Radar Data Transmitting Set*

**1. Brief Description:** The AN/AKT-18( ) Radar Data Transmitting Set receives fixed target and moving target information from Radar Surveillance Set AN/APS-94( ) and transmits encoded converted video signals during left and right antenna operation to ground stationed Radar Data Receiving Set ANTKQ-2( ). The data receiving set demodulates and decodes the UHF/FM signals and produces a permanent photographic film radar map of terrestrial fixed and moving targets for immediate use by field commanders. Identical and

simultaneous maps may be produced in the airborne system AN/APS-94( ). There are three configurations of the AN/AKT-18( ) and they are used with different models of the ANAPS-94( ) and AN/TKQ-2( ) to comprise a radar surveillance system. Major components of the AN/AKT-18 are:

- AT-2W50/ARC ..... Antenna
- C-6598/AR ..... Control

	<i>Type No</i>	<i>AVUM</i>	<i>AVIM</i>
CV-2094/ A ..... Signal Data Converter -Storer	AN/USM-198		X
KY-565/AKT-18 ..... Video Encoder	AN/USM-207A		X
MT-2653/ARC ..... Mount (T-991)	AN/USM-223		X
MT-3448/AKT-18 ..... Mount (KY-565)	AN/UAM-281 A		X
MT-3617/A ..... Mount (CV-2094)	CM-77/USM		X
SB-2471/AKT-18..... Power Distribution Panel	CN-16U		X
T-991/AR ..... Radio Transmitter	DA-Z75/U		X
Major components of the AN/AKT-18(A) are:	ME-26B/U		X
AT-450/ARC ..... Antenna	ME-202/U		X
C-6598/AR ..... Control	MK-772/Urc		X
C-9963/AKT-1 8A ..... Control	'MK-856/AAKT-18		X
KY-565AAKT-18 ..... Video Encoder	**MK-856A/AKT-18A		X
MT-2653/ARC ..... Mount (T-991)	MX-2517U		X
MT-3448/AKT-18 ..... Mount (KY-565A)	TK- 100/6		X
MT-4792AKT- 1 8A ..... Mount (PP-7255)	TK-101/G	X	
MT-4793/AK--1 8A ..... Mount (J-27941APS-94D)	TK-105/G		X
PP-7255AKT-18A ..... Power Supply-Synchronizer	TS-1 836/U		X
T-991AR ..... Radio Transmitter	TV-7DU		X
Major components of the AN/AKT-18B are:			
AN/ARC-164M12 ..... Radio Set			
AT-450/ARC ..... Antenna			
C-10546/AKT-18B ..... Data Link Control			
KY-865/AKT-18B ..... Video Encoder			
MT-6016/AKT-18B ..... Mount			

\* Applicable to AN/AKT-18 only.  
\*\* Applicable to AN/AKT-18A only.  
\*\*\* Applicable to AN/AKT-18B only.

**NOTES**

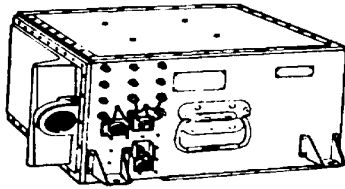
Refer to the individual data sheet for tools and test equipment applicable to the AN/ARC-164M12.

**2. Applicable Tools and Test Equipment:**

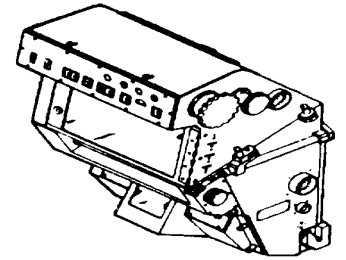
<i>Type No</i>	<i>AVUM</i>	<i>AVIM</i>
'***AN/AKM-2A	X	
'****AN/UKM-5		X
ANIURM-81		X
ANIRUM-105C	X	
ANURM-120		X

**3. Applicable Publications:**

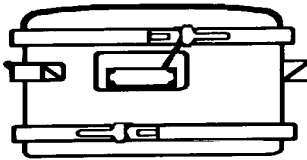
TM 11-5841-255-12 (Pertains to AN/AKT-18, 18A)  
TM 11-5841-255-35 (Pertains to AN/AKT-18, 18A)  
TM 11-5841-255-35P (Pertains to AN/AKT-18, 18A)



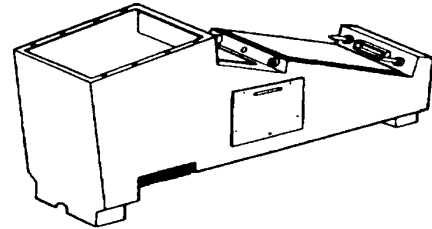
PROCESSOR RADAR SIGNAL cm-374/ APS - 94D



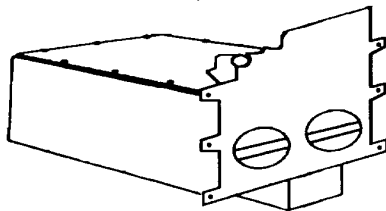
RECORDER ROCESSOR-VIEWER, RADAR MAPPING  
RO-352/APS - 94D



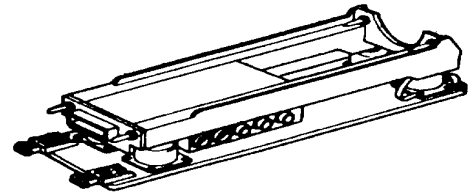
RECIEVER-TRANSMITTER, RADAR RT-899/APS - 94D



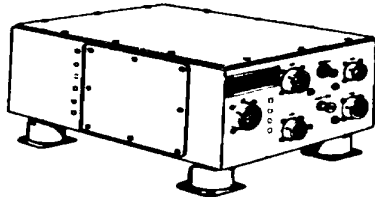
GENERATOR, SWEEP SG-794 / APS - 94D



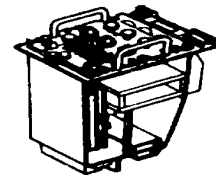
INDICTOR, RADAR TARGET IP-923/ APS - 94D



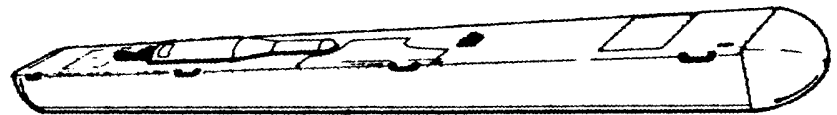
RACK ELECTRICAL EQUIPMENT MT-4015/ APS - 94D



INTERCONNECTING BOX J-2794A /APS-94D



CONTROL, RADAR SET C-7645/APS - 94D



ANTENNA AS-2199/APS - 94D

*AN/APS-94D Surveillance*

**1. Brief Description:** Surveillance Set AN/APS -94D, normally installed in the OV-1d aircraft, is an airborne sidelooking radar which searches large land and coastal areas and produces permanent photoradar maps of terrain on either or both sides of the aircraft flightpath. Two separate maps are produced simultaneously on the same strip of film. Fixed terrain imagery is recorded on the left half of the film while both moving objects and fixed terrain are superimposed on the right half. The film drive is controlled by ground speed and drift information which is obtained automatically from the inertial

navigation system or set manually. Identifying data from the data from the data annotation system is recorded on the film to aid interpretation of the imagery. Provisions are included in the system, to allow the observer real-time viewing of the radar information on a monitor scope or near real-time viewing of the proceeded film on a back link, the radar information is transmitted to a ground based received system which has the capability to convert the received signals back to film for near real-time viewing and analysis.

viewing and analysis. Major components of the AN/APS-94D are:

- AS-2199/APS-94D .....Antenna
  - C-7645APS-94D ..... Radar Set Control
  - CM-374APS-94D ..... Radar Signal Processor
  - IP-923/APS-94D .....Radar Target Indicator
  - J-2794APS-94D .....Interconnecting Box
  - MT4015/APS-94D ..... Electrical Equipment
- Rack
- RO-352APS-94D .....Recorder-Processor
- ewer
- RT-899APS-94D .....Receiver-Transmitter
  - SG-794/APS-94D .....Sweep Generator

<i>Type No.</i>	<i>AVUM</i>	<i>AVIM</i>
TK- 100/G		X
TK-101/G	X	
TK- 105/G		X
TS-2967/APS-94D		X
TS-2973/APS-94D		x
ESHMEE		X
TEP-6		X
22		x
10100A		X
10100B		X
10692		x
Adapter, Socket Wrench	X	
Stopwatch, Chronometer	X	
Wrench, Torque	X	X
Wrench Set, Socket	X	X

**2. Applicable Tools and Test Equipment:**  
 See appendix B for nomenclature, NSN, etc.

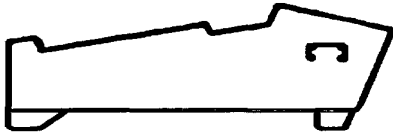
<i>Type No.</i>	<i>AVUM</i>	<i>AVIM</i>
AN/GPM81	X	X
AN/GPM-64B		X
AN/UPM-84A		X
ANURM-105C	X	
AN/USM-207A		X
AN/USM-223		X
AN/USM- 281A		X
OQ-59APS-94D		X
OQ-63/APS-94D		X
Q-64/(V)1/APS-94D		X
OQ-65/APS-94D		X

**3. Applicable Publications:**

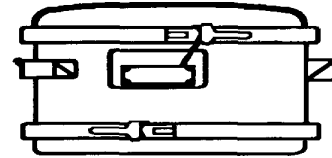
- TM 11-5895-578-12
- TM 11-5895-578-20P
- TM 11-5895-578-34
- TM 11-5895-578-34P
- TM 11-5895-578-50



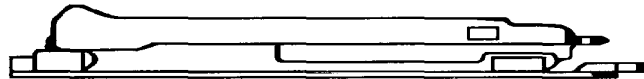
ANTENNA  
AS-2199/APS-94D



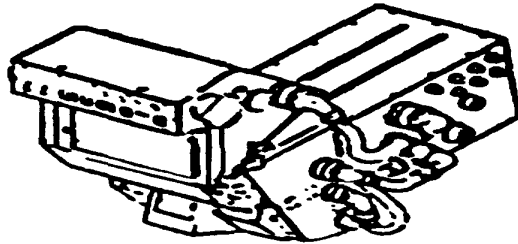
GENERATOR SWEEP  
SG-1127-APS-94E



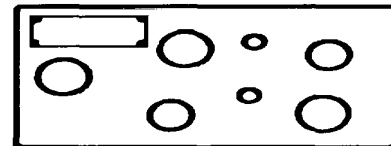
RECEIVER-TRANSMITTER RADAR  
RT-899/APS-94D



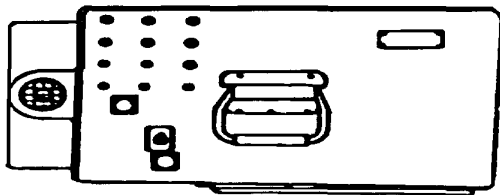
RACK ELECTRICAL EQUIPMENT  
MT-4015/APS-94D



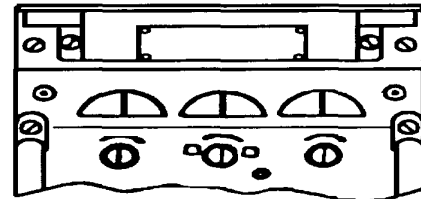
RECORDER - PROCESSOR  
VIEWER, RADAR MAPPING  
RO-495/APS-94E



INTERCONNECTING BOX  
J-2794/APS-94D



PROCESSOR RADAR SIGNAL  
CM-374/APS-94D



CONTROL, RADAR SET  
C - 7645/APS- 94D

### AN/APS-94E Radar Surveillance Set

**1. Brief Description:** Radar Surveillance Set AN/APS-94E, normally installed in the OV-D aircraft, is an airborne sidelooking radar which searches large land and coastal areas and produces permanent photoradar maps of terrain on either or both sides of the aircraft flightpath. Two separate maps are produced simultaneously on the same strip of film. Fixed terrain image is recorded on the left half of the film while both moving objects and fixed terrain are superimposed on the right half. The film drive is controlled by ground speed and drift information which is obtained automatically from the inertial

navigation system or set manually. Identifying data from the data annotation system is recorded on the film to aid in interpretation of the imagery. Provisions are included in the system to allow the observer real-time viewing of the radar information on a monitor scope or near real-time viewing of the processed film on a back lighted viewer. When used in conjunction with a data link, the radar information is transmitted to a ground based receiving system which has the capability to convert the received signals back to film for near real-time viewing and

analysis. Major components of the AN/AP94E am:

AS-2199/APS-94D.....	Antenna
C-7645/APS-94D .....	Radar Set Control
CM-374/APS-94D.....	Radar Signal Processor
J-2794/APS-94D .....	Interconnecting Box
MT015/APS-94D .....	Equipment Rack
RO495 .....	Recorder Processor- Viewer
RT-899/APS-94D .....	receiver-Transmitter
SG-1127/APS-94E .....	Sweep Generator

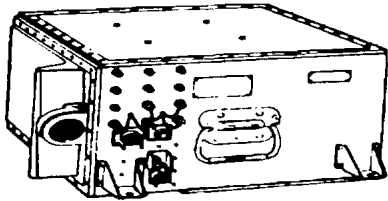
**2. Applicable Tools and Test Equipment:**  
 See appendix B for nomenclature, NSN, etc.

<i>Type No</i>	<i>AVUM</i>	<i>AVIM</i>
AN/GSM-64B		X
AN/UPM-84A		X
AN/USM-207A		X
AN/USM-223		X
ANUSM-281C		X
OQ-59/APS-94D		X

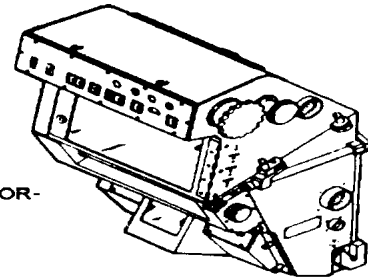
**2. Applicable Tools and Test Equipment:**  
 See appendix B for nomenclature, NSN, etc.

<i>Type No</i>	<i>AVUM</i>	<i>AVIM</i>
OQ-63APS-9D		X
OQ-64(M)//APS-94D		X
TK-100/G		X
TK-101/G	X	
TK- 105/G		X
TS-2973/APS-94D		X
22		X
10100A		X
10100B		X
10692		X
Adapter, Socket Wrench		X
Stopwatch, Chronometer		X
Wrench, Torque		X
Wrench Set, Socket		X

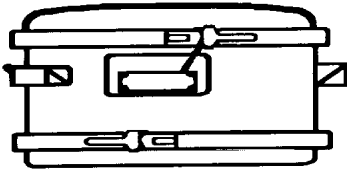
**3. Applicable Publications:**  
 TM 11-5895-967-12  
 TM 11-5841-967-12HR  
 TM 11-5841-967-30P  
 TM 11-5841-967-34



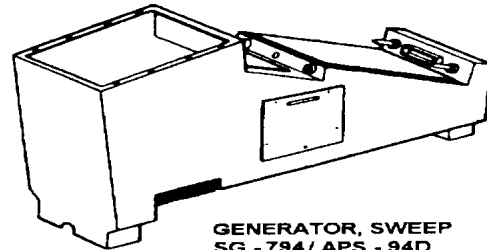
PROCESSOR, RADAR SIGNAL  
CM - 374 / APS - 94D



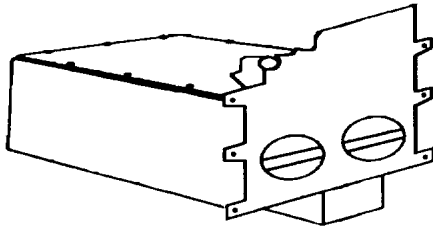
RECORDER-PROCESSOR-  
VIEWER,  
RADAR MAPPING  
RO - 352/ APS - 94D



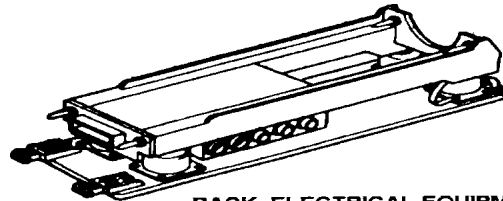
RECEIVER-TRANSMITTER, RADAR  
RT - 899/ APS - 94D



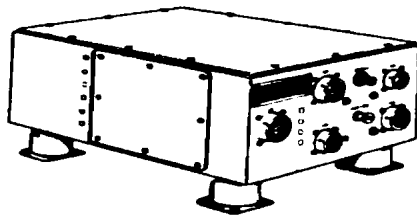
GENERATOR, SWEEP  
SG - 794/ APS - 94D



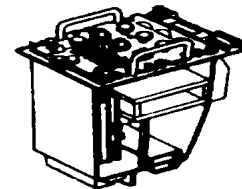
INDICATOR, RADAR TARGET  
IP - 923/ APS - 94D



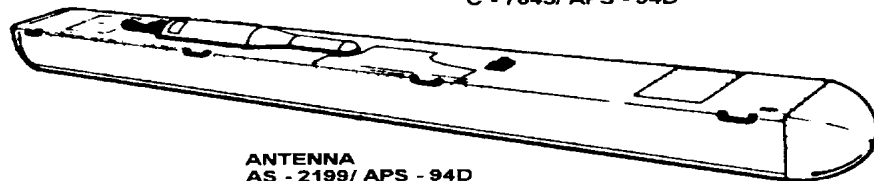
RACK, ELECTRICAL EQUIPMENT  
MT - 4015/ APS - 94D



INTERCONNECTING BOX  
J - 2794A/ APS - 94D



CONTROL, RADAR SET  
C - 7645/ APS - 94D



ANTENNA  
AS - 2199/ APS - 94D

*AN/APS-94F Radar Surveillance Set*

**1. Brief Description.**

The AN/APS-94F is an airborne sidelooking radar which searches large land and coastal on either or both sides of the aircraft flightpath. Two separate maps are produced simultaneously on the same strip of film. Fixed terrain imagery is recorded on the left half of film while both moving objects and fixed terrain are superimposed on the right half. The film drive is controlled by ground speed and drift information which is obtained

automatically from the inertial navigation system or set manually. Identifying data from the data annotation system is recorded on the film to aid interpretation of the imagery. Provisions are included in the system to allow the observer real-time viewing of the radar information on a monitor scope or near real-time viewing of the processed film on back lighted viewer. When used in conjunction with a data link, the radar information is transmitter to a ground based

receiving system which has the capability to convert the received signals back to film for near real-time viewing and analysis. Major components are:

AS-3322/APS-94F	Antenna
C-7645/APS-94D	Radar Set Control
CM-481/APS-94F	Signal Processor
HD-1067/APS-94F	Pressurization Set
J-2794A/APS-94D	Interconnecting Box
MT-4015/APS-94D	Equipment Rack
PP-7508/APS-94F	Power Supply-Mount
RO-495/U	Recorder-Processor-Viewer
RT-1283/APS-94 F	Receiver-Transmitter
SG-1 127/APS-94E	Sweep Generator

**3. Applicable Publications:**

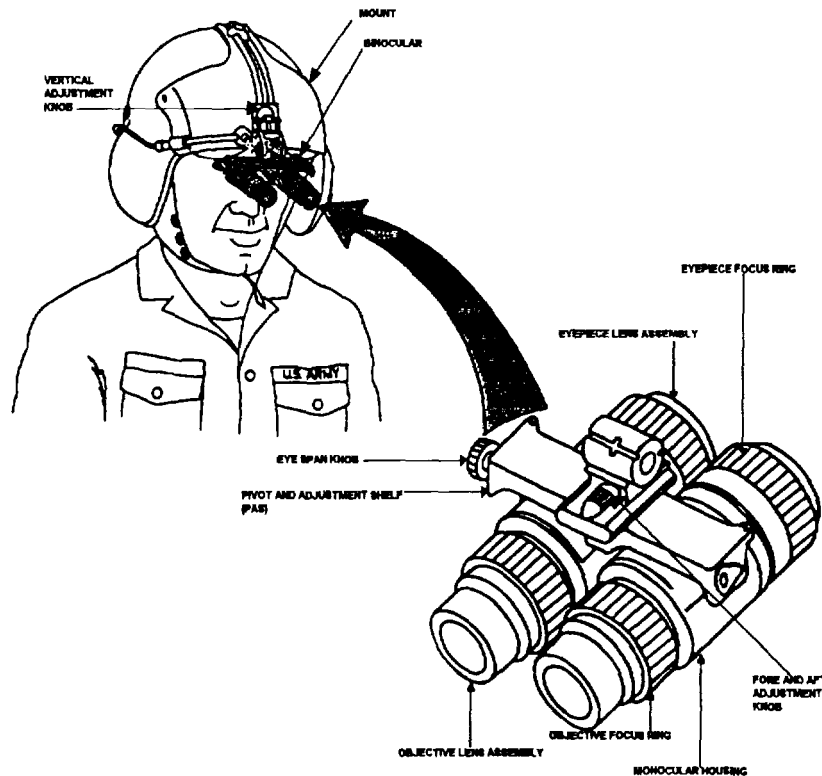
- TM 11-5895-1078-10
- TM 11-5895-1078-20
- TM 11-5895-1078 -23P
- TM 11-5895-1078-30
- TM 11-5895-1078-30-1
- TM 11-5841-1078-10-HR

**2. Applicable Tools and Test Equipment:**

See Appendix B for nomenclature, NSN, etc.

<i>Type No.</i>	<i>AVUM</i>	<i>AVIM</i>
AN/GSM-64B		
X		
AN/USM-207A		
X		
ANSM-451		
X		
AN/SUM-281C		
X		
ME-441/U		
X		
OQ-59A/APS-94D		
X		
OQ-63AAPS-94D		
X		
OQ-270/APS-94F		
X		
SG-994/U (2 EA)		
X		
TK-100/G		
X		
TK-101/G	X	
TK-105/G		
X		
TS-2973A/APX-94D		
X		
PRD-559A		
X		
22		
X		
10100A		
X		
10100B		
X		
10692		
X		
Wrench, Torque		
X		
Wrench, Set, Socket		
X		





AN/A VS-6(V)1 Aviators Night Vision Imaging System (ANVIS)

**1. Brief Description:** The AN/AVS-61(V) and ANAVS-6(V)2 are self-contained night vision viewing systems developed expressly for aviators. They utilize the so-called "third generation" photocathode technology that allows for a lower luminance level and produces greater resolution than the AN/PVS-5( ) Night Vision Goggles. Design of these systems is such that it allows the aviator to view the instrument panel with the unaided eye while maintaining night vision capability outside the cockpit. The major difference between the systems is in how the unit mounts to the standard SPH4 helmet. The (V)1 version mounts directly to the helmet whereas the (V)2 has an offset mount allowing it to attach to the SPH4 helmet modified with a helmet-mounted. Both units are powered by a BB-5567/U battery.

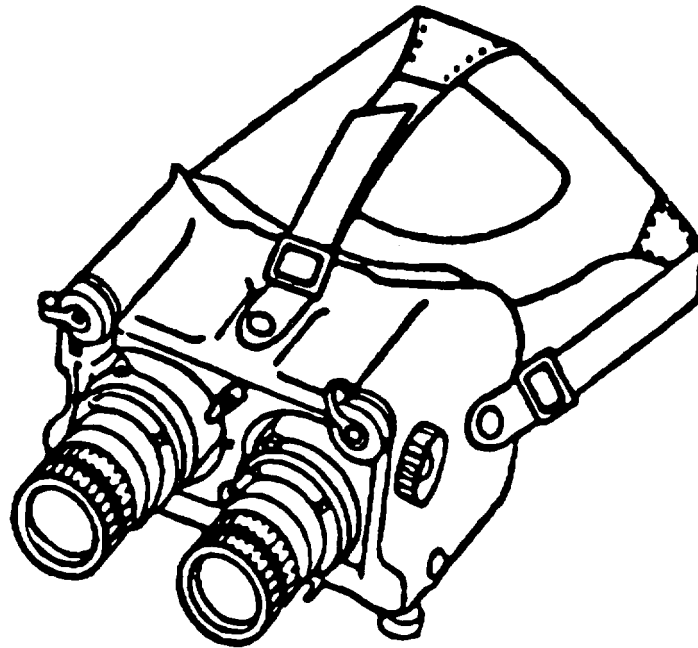
**2. Applicable Tools and Test Equipment:**

Type No.	AVUM	AVIWM
TK-101G	X	
TK-105/G		
X		
TS-3895V t	X	
5003230(Collimation Attach)		
X		
5003246(Diopter Scope)		
X		
5003423(Spanner Wrench)		
X		
5003424Cube Retainer Too		
X		
BB-N4Nitrogen)		
X		
SM-B-657451(Purge Adapter)		
SC4931-95CL-J54(Purging Kit)		

**3. Applicable Publications:**

- TM 11-585238-10-HR
- TM 11-585238-20
- TM 11-58552324P
- TM11-5855263-10





AN/PVS-5 ( ) Night Vision Goggles

**1. Brief Description:** The AN/PVS-5() Night Vision Goggles provide improved night vision using available light from the night sky. An auxiliary infrared light source provides illumination for close-up work when ambient light is inadequate. The AN/PVS-5 and AN/PVS-5A are functionally identical and differ only in the mechanical design of the eyepiece assembly and the threaded interface between the eyepiece assembly and the image intensifier assembly. The eyepiece and image intensifier assemblies are not interchangeable, but all other parts and assemblies are. Both models are powered by a BA-1567/J battery.

**2. Applicable Tools and Test Equipment:**  
 See Appendix B r nomenclature, NSN, etc.

Type No.	AVUM	AVIM
AN/USM-223		
X		
TK- 105/U		
X		
TS-3895/UV	X	
X		

Type No.	AVUM
AVM	
SM-B-657451	
X	
5003230	
X	
5003246	
X	
5003423	
X	
Tool, Insert/Extractor	
X	
Wrench, Spanner	
X	

**NOTE**

Refer to TM 11-5855-238-20 for special tool requirements.

**3. Applicable Publications:**  
 TM 11-5855-238-10  
 TM 11-5855-238-20  
 TM 11-5855-238-23  
 TM 11-5855-238-23P

(Illustration Not Available)

*AN/USQ-61A Digital Data Set*

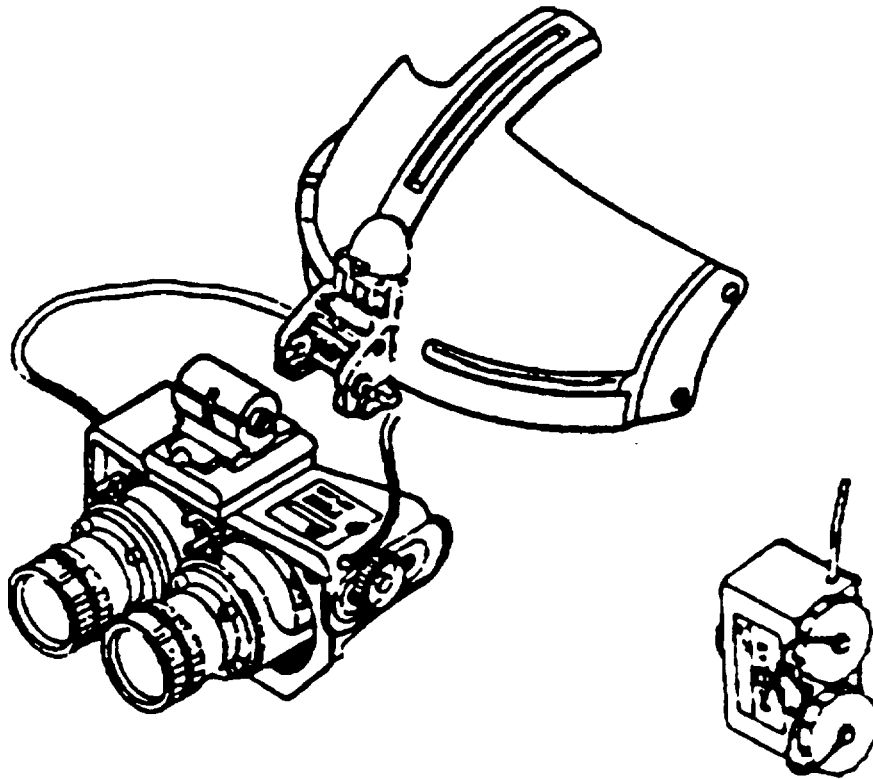
**1. Brief Description:** The ANIUSQ-1A Digital Data Set is installed in both the RV-ID aircraft and the ground based AN/USM-393 Simulator to provide a two-way, secure data link channel in the Quick Look II Emitter Identification Location System. The set operates in the half-duplex mode in the 225-399.75 Hz range. Major components are:

AN/ARC-164(M12	Radio Set
MD-1 102/USQ-61A	Digital Modem
MT-4903/USQ-6 1	Mount (PP-7652)
MT-4904/USQ-61	Mount (KG-354)
MT-6163/USQ-61A	Mount (C-10547ARC-164 - used in ANUSM-393 only)
PP-7652/USQ-61A.	Power Supply
TSECIKG-35-4	Key Generator

**2. Applicable Tools and Test Equipment:**  
 See Appendix B for nomenclature, NSN, etc.

<i>Type No.</i>	<i>AVUM</i>	<i>AVWM</i>
AM-880 (2 ea	X	
X		
AN-GSM-64B	X	
X		
AN/URM-120	X	
AN/USM-223	X	
AN/USM SM-281C	X	
X		
IP-121(P)/GR	X	
PL-1388	X	
PL-1400U	X	
TK-105/G	X	
X		

**3. Applicable Publications:**  
 TM 11-703520014  
 TM 11-7035-20024P



*GM-6(V) ( ) Guard Mount*

**1. Brief Description:** The GM-6 assembly is an aviation modification to the AN/PVS-5 series Night Vision Goggle (NVG). Provides aviators all the feature capabilities of an ANVIS with the exception of third generation image intensification tubes. It is composed of:

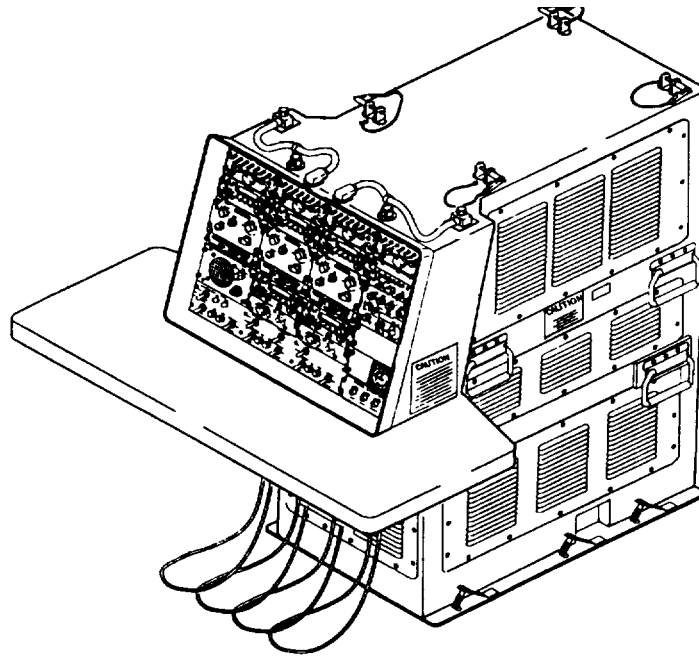
ANVIS Dual Battery Pack  
ANVIS Visor Mount  
A Bracket Assembly

**2. Applicable Tools and Test Equipment:**  
Not applicable.

**3. Applicable Publications:**  
Not applicable.

**SYSTEM INTEGRATION EQUIPMENT, COMMAND & CONTROL, TELEMETER**

TB 43-0123  
 ANIMSC-15B(V)1  
 5895-01-287-3971  
 JBH  
 AN/ASC-15C(V)  
 589541-348-2344  
 EIC: NA  
 ANASC-1 5C(V)2  
 5895-01-382-1099  
 EIC: NA



*AN/ASC-15B Communications Central*

**1. Brief Description:** The Communications Central AN/ASC-15B functions as an airborne and ground command post, providing tactical voice/data communications in both secure and nonsecure modes. When interfaced with the appropriate equipment to form a Communications Central AN/USC-58(V)1/2/3, the console functions as a secure or nonsecure automatic retransmission station, satellite communications command post, provides channel scanning, intercommunication facilities for up to 10 users, and communication management for up to four operators. The ANASC-1 5B is comprised of the following components:

13499	Table, Console
C-11188A/ARC	Control, Amplifier
C-11984/ARC-182	Control, Radio Set
C-12038/ASC-15B	Control, Light Source
AM-7469/ASC-15C	Amplifier, Audio Frequency
AM-7189AI RC	Amplifier, Radio Frequency
H-250/U	Handset
MX-9331B/URC	Repeater, Regenerative
RT-1433/ARC-174	Receiver-Transmitter
RT-1250B/ASC-15B	Receiver-Transmitter
MX-9545ANR	Adapter Vehicular Power

TSECKY-58	Speech Security Equipment
C-12035/ASC-15B	Control, Radio Set
C6533/ARC	Control, Communication
C-11289/ARC-174 .	Control, Radio Set
CY-8577/ASC- 5B	Cabinet, Elec. Eqpt
Z-AKR (KY-75)	Security Device Control
13499	Plate, Console Base
80058	Cable Assembly-Switch
TSEC.KY-75	Security Device
81349	Clock, A/C Mechanical

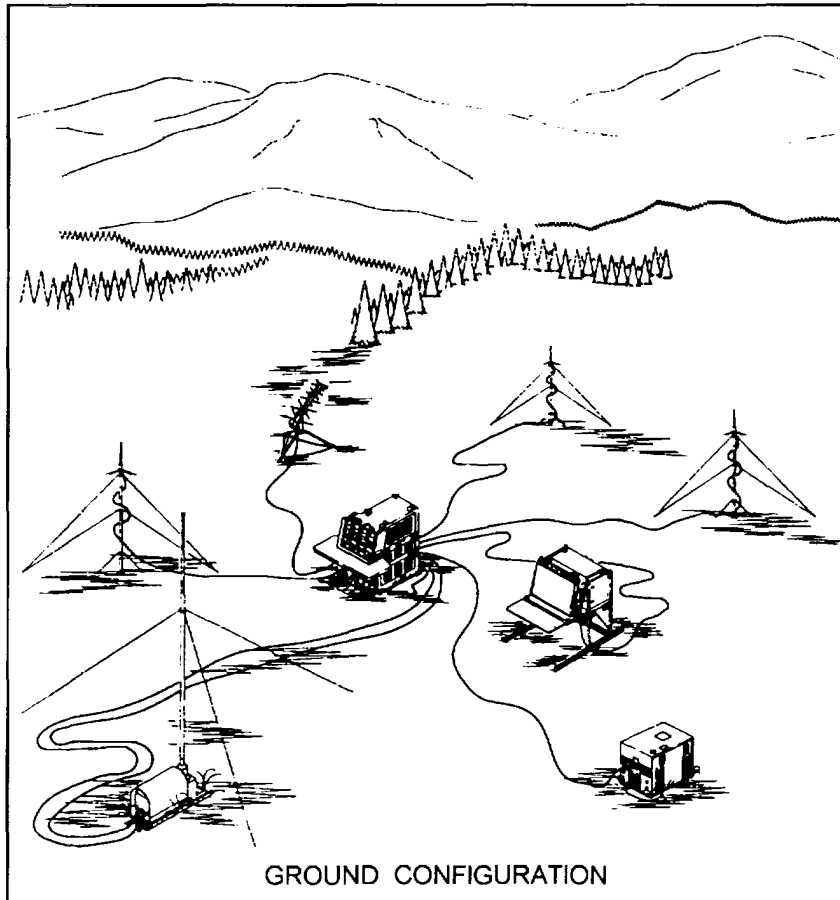
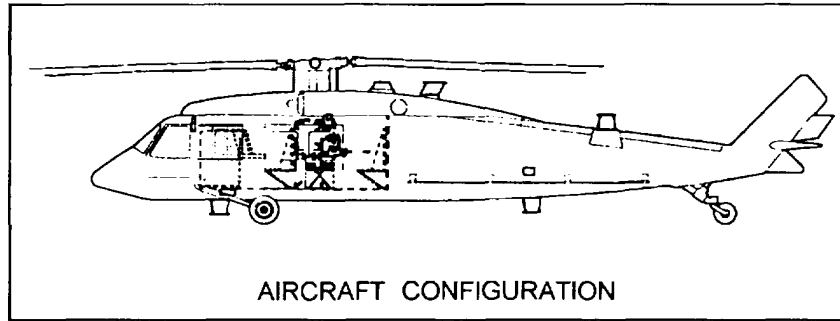
**2. Applicable Tools and Test Equipment:**  
 See appendix B for nomenclature, NSN, etc.

Type No.	AVUM	AVIM
ANPSM45	X	
TK-IO1/G	X	

**3. Applicable Publications:**

TM 11-5895-1449-12  
 TM 11-5895-1570-12

TB 43-0123  
AN/USC-58 (V)1  
5895-01-397-0826  
EIC: N/A  
ANIUSC-58(V)2  
5895-01-397-6379  
EIC: N/A  
AN/USC-58(V)3  
5895-01-397-6378  
EIC: N/A



*AN/USC-58 ( ) Communications Central*



TB 43-0123  
 AN/USC-58(V)I  
 589541-3974826  
 EIC: N/A  
 AN/USC-58(V)2  
 5895-01-397-6379  
 EIC: N/A  
 AN/USC-58(V)3  
 5895-01-3974378  
 EIC: N/A

**1. Brief Description:** The Communications Central AN/USC-58)1, AN/USC-58(V)2 and AN/USC-58M3, referred to as communications system, functions as an airborne or ground command post, providing tactical voice/data communications in both secure and nonsecure modes and accurate position data using universal transverse macerator coordinates and the aircraft doppler navigation system. The heart of the communications system is the Communications Central ASC-1B, referred to as ASC-15B console, Communications Central ASC- 15C(V)1, referred to as ASC-15C1 console, or Communications Central AN/ASC-15C(V)2, referred to as ASC-15C(V)2 console. When interfaced with the appropriate equipment to form the communications system, the console functions as a secure or nonsecure automatic retransmission station, satellite communications command post, provides channel scanning, intercommunication facilities r up to 10 user, communication management for up to four operators. The AN/USC-58 consists of the following components:

OE-458/ASC-15B .	Antenna Group, or
OE-510/ASC-15C	Antenna Group
CV4104/ASC-15B	Converter, Digital to Analog

CV-4247/ASC-15C	Converter, Digital to Analog
AM-6797/ARC-174	Amplifier, Power
MT-6650/ASC-15B	Mounting Base, Elec. Eqpt
OE-459/ASC-15B	Antenna Group
MK-2584/ASC-15B	Installation Kit, Elec. Eqpt
OE-460/GRC .	Antenna Group
MT-6651/GRC	Mounting Base, Elec. Eqpt
OE-461/GRC	Antenna Group
MK-2324/ASC-15B	Installation Kit, Elec. Eqpt, or
MK-2324NAASC-15B	Installation Kit, Elec. Eqpt
MK-2749/GRC	Generator Set, Engine Accessory
13499	Stake Kit, Ground

**2. Applicable Tools and Test Equipment:**

<i>Type No.</i>	<i>AVUM</i>	<i>AVIM</i>
AN/PSM-45	X	
TK-1O1/G	X	

**3. Applicable Publications:**

TM 11-5895-1571-12

**(Illustration Not Available)**

*UH-60 AFCS Automatic Flight Control System*

**1. Brief Description:** The UH-60 Automatic Flight Control System is an electro-hydraulic system that provides inputs to the flight controls to assist the pilot in maneuvering and handling the aircraft. The three major subsystems of the AFCS are the analog stability augmentation system (SAS 1), the digital AFCS (SAS 2) and the stabilator system. They provide oscillation damping (dynamic stability) and maintain desired attitude, speed and heading (static stability). Major components of the UH-60 AFCS are:

AM-7105/A	Synchro Signal (SAS) Amplifier
AM-7106/A	Elec. Control (Stabilatory Amplifier (2 ea)
C-10909/A	Flight Control Panel
CN-1552/A	Rate Gyro
CN-1564/A	Rate Gyro
CP-1446/A	Computer
ID-2279/A	Stabilator Indicator Indicator (2 ea)
MT-6227/A	Vibration Tray
TR-322/A	Air Data Transducer
TR-323/A	Air Speed Transducer
TR-326/A	Linear Servo Accelerometer (2 ea)
70400-06712-042	Stabilator Position Sensor
70901-02002-106	Stick Position Sensor

**2. Applicable Tools and Test Equipment:** See Appendix B for nomenclature, NSN, etc.

Type No.	AVW	AVIM
AN/USM-23	X	
AN/USM451 (2 ea)	X	
MK-693/A	X	
TK-101/G	X	
TS-3920/ASM	X	
7365	X	
Stopwatch	X	

**NOTE**

Refer to TM 11-1520-237-23-2 and -3 for special and locally tools, adapters, etc.

**3. Applicable Publications:**

- TM 11-1520-237-23-1 (Pertains to UH-60 Aircraft)
- TM 11-1520-237-23-2 (Pertains to UH-60 Aircraft)
- TM 11-1520-237-23-3 (Pertains to UH-60 Aircraft)
- TM 11-1520-237-23P (Pertains to UH-60 Aircraft)

**(Illustration Not Available)**

*UH-60 Command Instrument System*

**1. Brief Description:** The UH-60 Command Instrument System is an integrated navigational system based on a central computer that processes signals from navigation and flight instruments/systems to produce visible steering commands allow the pilot to fly a desired heading, reach a selected course, make an ILS landing and keep at a fixed altitude. The CIS receives primary flight information from the AFCS, attitude indicating system, compass system and radar altimeter. Navigational inputs are obtained from the VOR/MB/GS system, the Doppler navigational system and the No. 1 VHF/IFM system. Major components are:

- C-10998/A ..... HNSI Mode Select Panel (2 ea)
- C-10999/A ..... CIS Mode Select Panel
- CP-1470/A ..... CIS Processor
- ID-2277/A ..... Vertical Situation Indicator (2 ea)
- ID-2278/A ..... Horizontal Situation Indicator (2 ea)
- MT-6226/A ..... Mount (CP-1470)

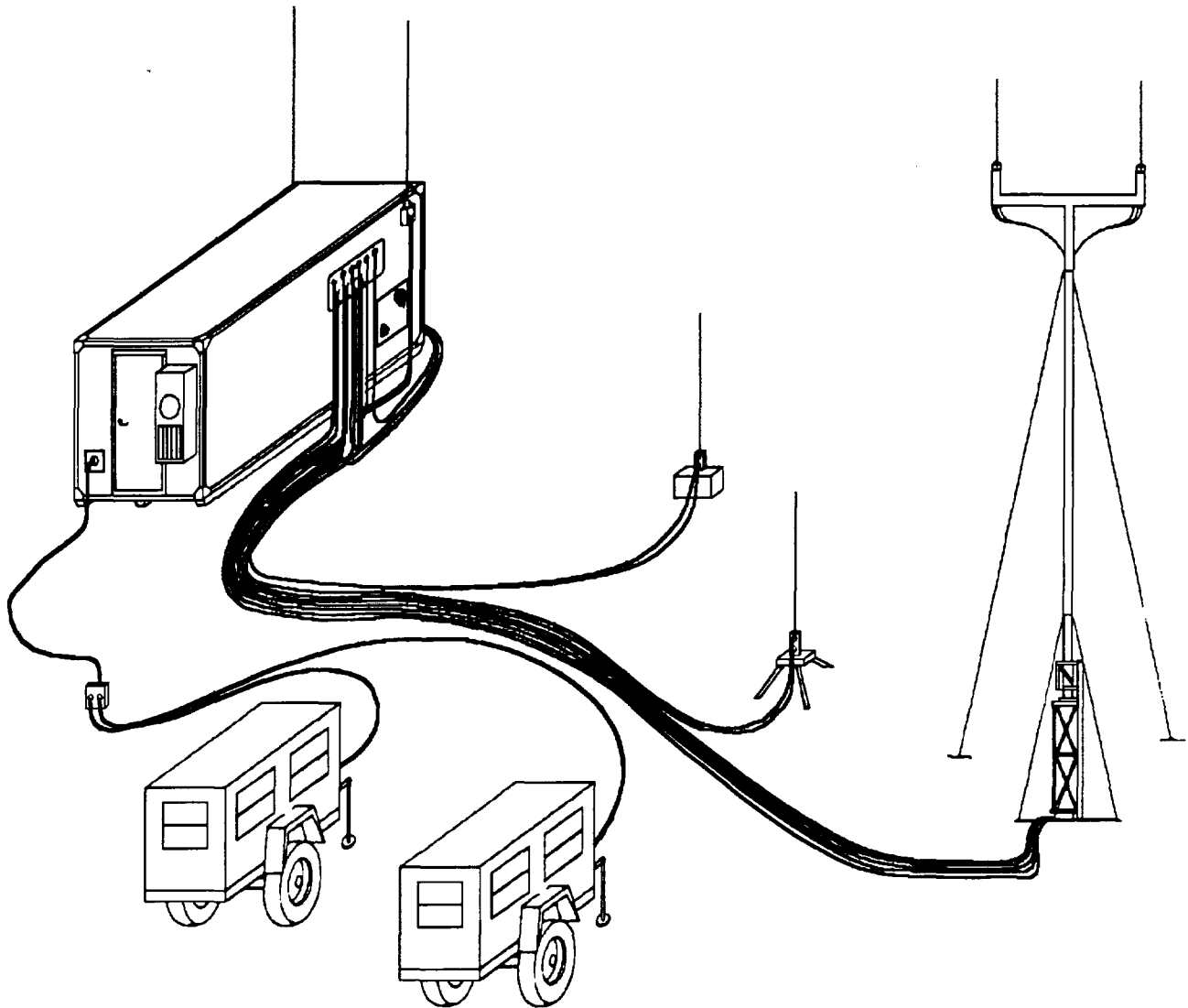
**2. Applicable Tools and Test Equipment:** See Appendix B for nomenclature, NSN, etc.

Type No.	AVUM	AVIM
AN/USM-223	X	
SG-13/ARN	X	
TK-100/G		
X		
TK-101/G		X

**3. Applicable Publications:**

- TM 11-1520-237-23-1 (Pertains to UH-60 Aircraft)
- TM 11-1520-237-23-2 (Pertains to UH-60 Aircraft)
- TM 11-1520-237-23-3 (Pertains to UH-60 Aircraft )
- TM 11-1520-237-23P (Pertains to UH-60 Aircraft)

**TACTICAL  
AIR TRAFFIC CONTROL**



*AN/TSC-61B Flight Coordination Center*

**1. Brief Description:** The AN/TSC-61B is a transportable unit that provides facilities for air traffic coordination, warning air defense identification, and in-flight assistance within an assigned zone of responsibility, on a continuous basis. Altitude, time, and distance flight plan data for airborne aircraft can also be coordinated in the AN/TSC-61B. This system usually functions as an intermediary or extension of a flight operations control which serves as the main traffic control facility of the enroute system. It provides air-to-ground communication with VHF-FM, UHF-AM, VHF-AM, and HF-AM equipment. Telephone, radioteletype and ground-to-ground radio communications facilities are also provided. The equipment is housed in an air conditioned/heated shelter. It has a power requirement of 120/220 volts AC,

5060 Hz, 3-phase, 4-wire at approximately 30 KW. The major components of this system are as follows:

- AB-577/GRC ..... Antenna Mast
- AB-720G ..... Antenna Support Assembly
- AB-1256/GRC ..... Antenna Tripod (2 ea)
- AM-6985/TS ..... Amplifier-Filter
- AN/ARC-102 ..... HF-SSB Radio Set
- AN/ARC-115A ..... VHF-AM Radio Set (3 ea)
- AS-1729NRC ..... Antenna (3 ea)
- AS-3243/GRC ..... Antenna
- AS-3244TS ..... Antenna
- AT-1011/U..... A Antenna Coupler
- CY-7658/GRC ..... Coupler Case

C-1511D-AIC .....Intercom Set  
 C-8156/ARC .....Control-Indicator  
 C-10417TS .....Control-Indicator Panel (ea)  
 C-10418rS .....Control-Indicator Panel (3 ea)  
 C-10419/TSC-61B .....Power Supply Control  
 F-1451/GRC .....Bandpass Filter (3 ea)  
 F-1463/GRC .....Bandpass Filter (3 ea)  
 H-157/AIC .....Headset-Microphone (6 ea)  
 LS-454/U .....Loudspeaker (2 ea)  
 MT-1029NRC .....Mount (3 ea)  
 MT-3874 /U .....Mount  
 PP-7442/G .....Power Supply  
 RT-524A/VRC .....VHF-FM Radio Set (3 ea)  
 RT-1167/ARC-164 .....UHF-AM Radio Set (3 ea)  
 S-280AG .....Shelter  
 TA-248ATT .....Ringing Generator  
 TA-312/PT .....Field Telephone

The following additional item or equivalent is required for use with the ANTrSC-61B:

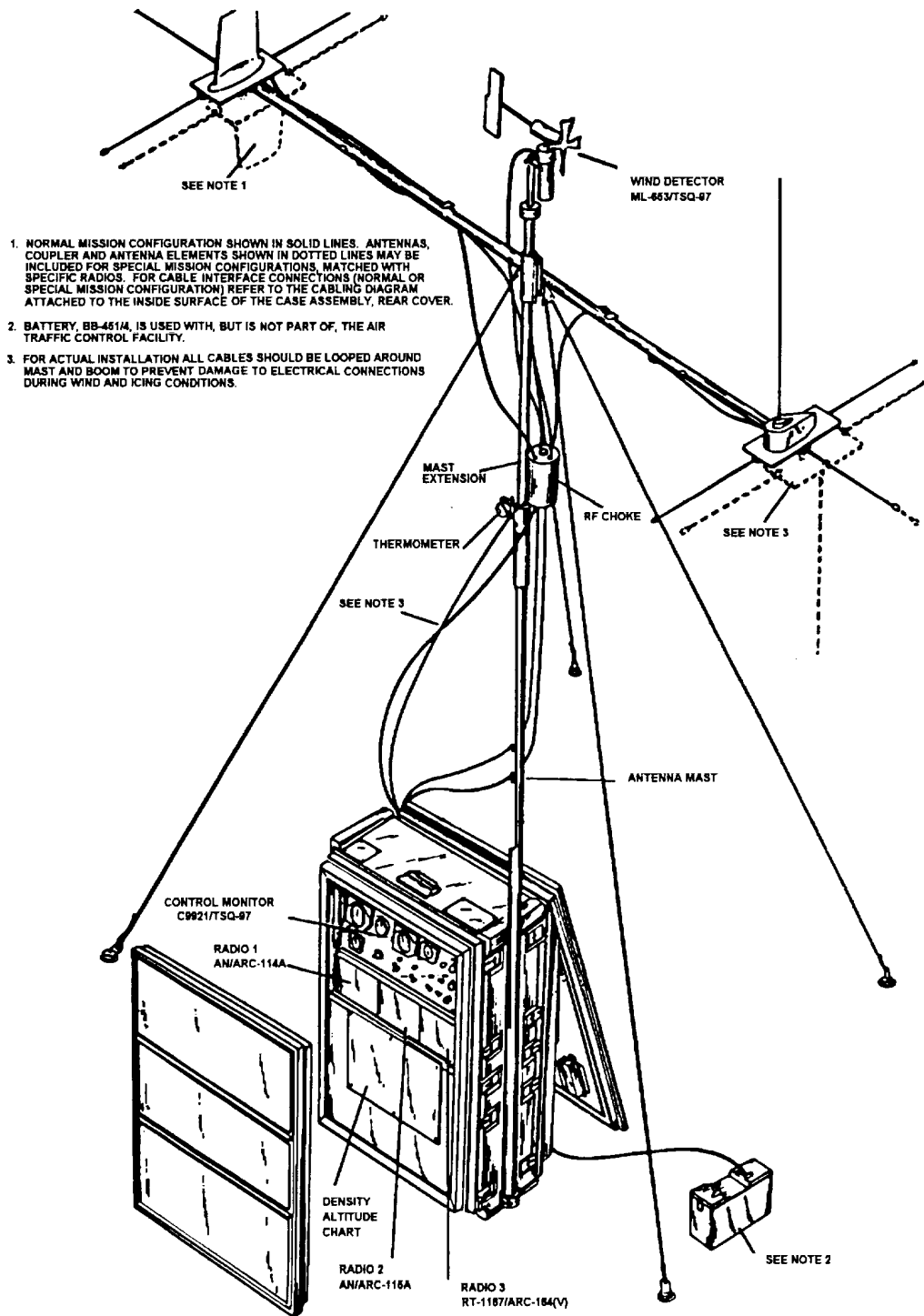
PU-406/M ..... Trailer-Mounted Power Unit (2 ea)

**2. Applicable Tools and Test Equipment:** See Appendix B for nomenclature, NSN, etc.

<i>Type No.</i>	<i>AVIM</i>	<i>AVIM</i>
ANNRM-105	X	
ANUIRM-120		
X		
ANURM-127		
X		
AN/URM-207A		
X		
AN/URM-223		
X		
AN/USM-281A		
X		
DA-75/U		
X		
ME-30NU		
X		
TK-100/G		
X		
TK-101/G		X
TS-10836/U		
X		
ZM-21 B/U		
X		

**3. Applicable Publications:**

- TM 11-5985-469-10-HR
- TM 11-5895-469-12
- TM 11-5895-469-20P
- TM 11-5895-469-30
- TM 11-5895-469-34
- TM 11-5895-469-34P



*AN/TSQ-97 Air Traffic Control Facility*

**1. Brief Description:** The ANfrSQ-7 is a (four- person) portable Air Traffic Control Facility for control of air traffic at landing zones in forward areas. It can also be used at any landing zone where Visual Flight Rule control is

required. Included in the facility a VHF-ANFM and UHF-AM communications capabilities, meteorological equipment and attendant accessories associated with control of Visual

Flight Rule terminal air traffic. Instruments used with the facility indicate wind speed and direction, altitude and real time. The basic facility contains one each Radio Set AN/ARC-114A, AN/ARC-115A, and Receiver-Transmitter RT-1167/ARC-164(V); however, several combinations of these radios may be installed as needed. Cables are supplied to interface security equipment TSEC/KY-38 for X-mode secure communications. The facility can also be used with Radio Sets AN/ARC-114(), AN/ARC-115(\*), and AN/ARC-116(\*) instead of previously mentioned radios; however, X-mode communications capability does not exist when using the AN/ARC-1 15(\*) and AN/ARC-116(\*). The facility can operate from a self contained 24 volt battery or from vehicular power. Major components of the ANTrSQ-97 are:

AN/ARC-1 14A	Radio Set
AN/ARC-115A	Radio S
AS-1703/ARC	Antenna (2 ea.)
AS-4034/TSQ-97	Antenna Element (12 ea)
AT-1108/ARC	Antenna (2 ea)
C-992TSQ-97	Control Monitor
CU-942B/ARC	Antenna Coupler (2 ea)
H-337TSQ-97	Headset Microphone
M-80CSO	Microphone
ML-653rrSQ-97	Wind Direction and Speed Detector
MX-4430/PRC-47	Battery Adapter
MX-971 3TSQ-97	RF Choke
RT-1167/ARC-164(V)	Radio Set

The following item is used with, but not supplied as part of the AN/TSQ -9:

BB-451U	Battery
---------	---------

**2. Applicable Tools and Test Equipment:**

See Appendix B for nomenclature, NSN, etc.

<i>Type No</i>	<i>AVUM</i>	<i>AVIM</i>
AN/GSM-64		
X		
AN/URM-20	X	
ANUSM-223	X	
X		
AN/USM-81A		
X		
ME-30A/U		
X		
MK-772/U		
X		
TK-100/G		
X		
TK-101/G X		
TK-1 05/G		
X		
TS421 NU		
X		
TS- 1836/U		
X		

**NOTE**

Tool and test equipment requirements the major components of the ANSQ-97 are listed on individual data sheets found elsewhere in this publication.

**3. Applicable Publications:**

- TM 11-5895-800-10-HR
- TM 11-5895-800-12
- TM 11-5895-800-20P
- TM 11-5895-800-34
- TM 11-5895-800-34P



**(Illustration Not Available)**

*AN/TSW-7A Air Traffic Control Central*

**1. Brief Description:** Air Traffic Control Central ANFISW-7A is an air-and ground-transportable system which provides sheltered space for three Air Traffic Controllers and one Supervisor plus appropriate radio and telephone communications equipment. Positions are provided for local data and ground controller functions. Radio communications are provided in the UHF-AM (225.00- 399.975 MHz), VHF-AM (116.000-149.975 MHz), VHF-FM (30-75.95 MHz) and HF-AM (2.000-29.999 MHz) frequency bands. There are ten telephone lines and two signal lightguns. Provisions are made to monitor local nav-aids. Major components of the system are as follows:

AN/ARC-102 .	Radio Set (HF-AM)
AN/ARC-114	Radio Set (3 ea)
AN/ARC-115	Radio Set (3 ea )
AS-1729NRC	Antenna (VHF-FM) (3ea)
BB-433/U	Battery
C-7938'1SW-7	Control Telephone Line (2 ea)
C-8157/ARC	Control Indicator (3 ea)
C-10388/ TSW-7A	Control Communications Channel (3 ea)
CE20VAL6-208	Environmental Control Unit (2 ea)
CU-1658A	Antenna Coupler (HF-AM)
CY-7658/GRC	Antenna Coupler Case
F-1253 A/TSW-7 .	Filter VHF-AM (3 ea)
F-1391/TSW-7A	Filter VHF-FM (3 ea)
F-1463SW-7A	Filter UHF-AM (3 ea)
MEP-025A	Gasoline Generator (28VDC)
OE-281/TSW-7A	Collinear Antenna (UHF-AMNHF-AM)
PP4-187rTSW-7	Power Supply (28VDC) (3 ea)
PU-619/M	Power Unit (10 KW)
RT-1167/ARC-164M	Radio Set (3 ea)

S-593TSW-7A	Shelter
T-420/GM-11	Wind Direction and Speed Transmitter
TSEC/KY-28	Speech Security Device (3 ea)

**2. Applicable Tools and Test Equipment:**  
 See Appendix B for nomenclature, NSN, etc.

<i>Type No.</i>	<i>AVUM</i>	<i>AVIM</i>
AN/URM-120	X	
X		
AN/URM-127	X	
X		
AN/USM-223	X	
X		
AN/USM-281C	X	
X		
DA-75/U	X	
X		
MK-679/G		
X		
MK-681/G		
X		
TK-1 00/G		
X		
TK-1101/G X		

**NOTE**

Tool and test equipment requirements for the major components the ANTSW-7A are listed on the individual data sheets found elsewhere in this publication.

**3. Applicable Publications:**

- TM 11-5894-801-10-HR (Pertains to ANTSW-7A)
- TM1 1-5895-801-12 (Pertains to AN/TSW-7A)
- TM 11-5895801-20P (Pertains to ANTSW-7A)
- TM 11-589801-34 (Pertains to ANrrSW-7A)
- TM 11-5894-801-34 P (Pertains to ANTSW-7A)

## CONVERTERS

(Illustration Not Available)

*PP-6376/A Static Inverter*

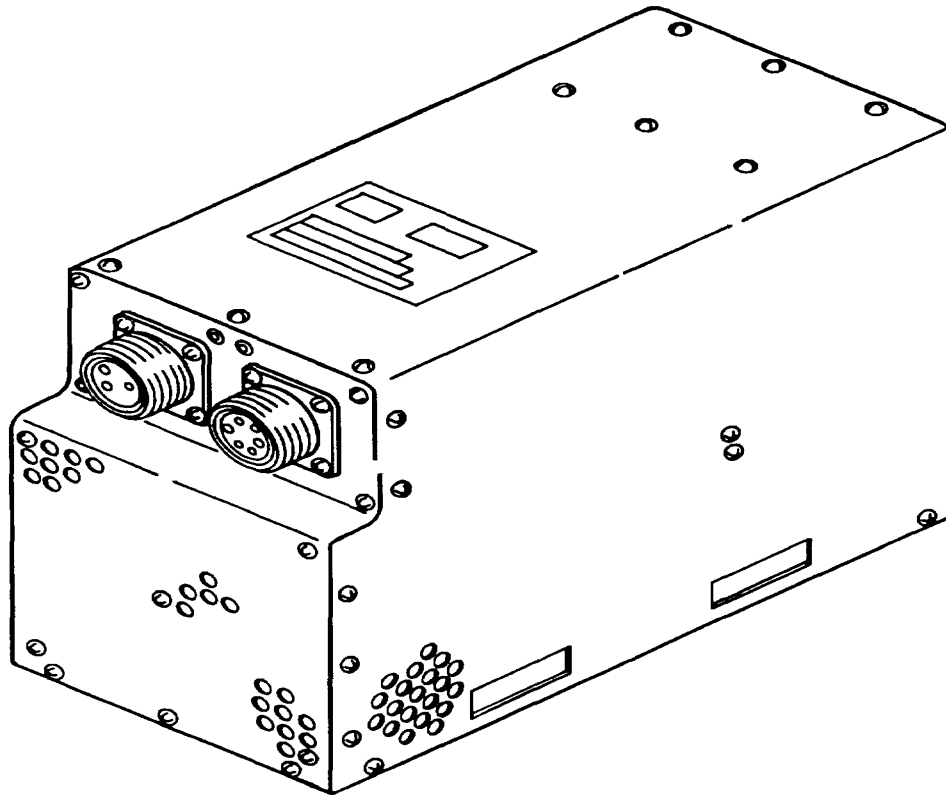
**1. Brief Description:** The PP-6376A static inverter, used on the OH-58A helicopter, is a rectangular shaped, solid state device that converts 28 volts DC power to 115 volts AC, 400 Hz under loads of 65 volt amps to 100 volt amps. The inverter is housed in a sea led metal case. A six- pin, quick-disconnect plug mounted on one end of the unit provides the electrical connection. The unit is secured to the OH-58A by four screws through flanges at the bottom.

**2. Applicable Tools and Test Equipment:**  
Not applicable.

**3. Applicable Publications:**

TM 11-1520-228-20 (Pertains to OH-58A)  
TM 11-1520-228-20P (Pertains to OH-58A)  
TM 11-1520-228-23P (Pertains to OH-58A)  
TM 11-1520-228-34 (Pertains to OH-58A)

**II-J-1**



*PP-7274( )/A Static Inverter*

**1. Brief Description:** The PP-7274( )/A is a solid state Static Power Inverter that converts a nominal 28 volt DC input to a registered 115 volts AC, 400 Hz, 3 phase- output under loads of up to 250 volt amps per phase. I utilized the pulse-width modulation technique and contain no moving parts except for an internal cooling fan. The PP 7274( )/A is installed in the AH-1 sees aircraft. Input power requirement is 28 volts DC at 41 amps max for full load output.

**2. Applicable Tools and Test Equipment:**  
Not Applicable.

**3. Applicable Publications:**  
TM 11-6130-385-34  
TM 114130-385-34P

**(Illustration Not Available)**

*PP-7798A Battery Changer*

**1. Brief Description:** The PP-7798/A (14-ES014-1) is a constant current charger which maintains an acceptable voltage level on the BB-432B/A (145E2089-1) installed in the CH-47D helicopter. Power for the battery charger is provided by the 500 volt 3 phase 400 Hz, No.1 AC bus. The charger will terminate charging when one or more of the following faults occur: overheated battery; battery cell unbalance; battery charger exceeds safe operating temperature; output short or open circuit.

**2. Applicable Tools and Test Equipment:**  
Not Applicable.

**3. Applicable Publications:**  
TM 11-1520-240-20 (CH-470)  
TM 11-1520-240-20P (CH-47D)  
TM 11-1520-240-30P (CH-47D)  
TM 11-1520-240-34 (CH-47D)

**II-J-3**

(Illustration Not Available)

*PU-542()A Motor Generator*

**1. Brief Description:** Motor Generator PU-542( )/A converts 27.5 volts DC from the aircraft power supply to 115 volts AC, 400 Hz, single-phase or three-phase. The output of the PU-542( )/A can be connected for either three-phase or single-phase operation, but not both at the same time. The PU-542( )/A is capable of providing a power output of up to 100 volt amps with an input of 28 volts DC at 10 amps.

**3. Applicable Publications:**

TM 11-6125-246-20-1  
TM 11-6125-246-25  
TM 11-6125-246-34P  
TM 11-6125-246-34P-1  
TM 11-6125-246-35-1

**2. Applicable Tools and Test Equipment:**

See Appendix B for nomenclature, NSN, etc.

<i>Type No</i>	<i>AVUM</i>	<i>AVIM</i>
ANGSM-6		X
ANGSM-65		X
AN/UPM-93C	X	
AN/USM-223		X
AN/URM-105C	X	
ME-26DNU		X
TK-100wG		X
TK-101/G	X	
TK-105/G		X
TS-805DU		X
TS-965/U		X
TS-1836B/U		X
ZM4BNU		X
ZM-21 B/U		X

**(Illustration Not Available)**

*PU-543( )/A Motor Generator*

**1. Brief Description:** The PU-543( )/A motor generator converts 28 volts DC from the aircraft power supply to 115 volts AC, 400 Hz, single-phase or 110/220 volts, 400 Hz, three-phase. The output of the motor generator can be connected for either single-phase or three-phase operation, but not both at the same time. The PU-543( )/A is capable of delivering 250 volt amp with an input of 28 volts DC at 24 amps. The PU-543D/A differs from the other models in that it contains a total time indicator.

**2. Applicable Tools and Test Equipment:** See Appendix B for nomenclature, NSN, etc.

Type No.	AVUM	AVIM
AN/USM-223		X
AN/USM-281A		X
ME-26D/U		X
PP-4606/G	X	X
TK-100/G		X
TK-101/G	X	
TK-105/G		X
TS-965A		X
TS-1836B/U		X
ZM-3		X
ZM4B/U		X
ZM-21 B/U		X

Type No.	AVUM	AVIM
AN/GSM-		X
AN/GSMa5		X
ANNPM13C	X	X
ANURM-105C	X	

**3. Applicable Publications:**  
 TM 11-6125-220-20  
 TM 11-6125-220-35

(Illustration Not Available)

*PU-544/A Motor Generator*

**1. Brief Description:** Motor Generator PU-544( )/a converts 27.5 volts DC from the aircraft power supply to 115 volts AC, 400 Hz, single-phase or three-phase. The output of the motor generator can be connected for either three- phase or single-phase operation, but not both at the same time. The PU-544( )/A is capable of delivering 750 volt amps with an input of 28 volts DC at 59.5 amps.

Type No.	AVUM	AVIM
TK-100/G		X
TK-101/G	X	
TK-105/G		X
TS-723DU		X
TS-805DU		X
TS-965/U		X
TS-183BM		X
ZM-4BM		X
ZM-21B1U		X

**2. Applicable Tools and Test Equipment:** See Appendix B for nomenclature, NSN, etc.

Type No	AVUM	AVIM
AN/GSM-		X
AN/GSM-65		X
AN/UPM-93C	X	
AN/URM-105C	X	
AN/SM-23		X
AN/USM-281A		X
ME-26D/U		X
PP-1 104A/G		X

**3. Applicable Publications:**

- TM 11-6125-239-15
- TM 11-6125-239-20-1
- TM 11-6125-239-34P
- TM 11-6125-239-34P-1
- TM 11-6125-239-35-1



(Illustration Not Available)

*PU-54A Motor Generator*

**1. Brief Description:** Motor Generator PU-545 converts 28 volts DC from the aircraft power supply to 115 volts AC, 400 Hz, single-phase 110220 volts, 400 Hz, three phase. The output of the motor generator or can be connected for either three-phase or single-phase operation but not both as the same time. The PU-545/A will deliver 250 volt amps with an input of 28 volts DC at 190 amp: maximum.

<i>Type No.</i>	<i>AVUM</i>	<i>AVIM</i>
ME-26D/U		X
PP-4606/U		X
TK-100/G		X
TK-101G	X	
TK-105/G		X
TS-805D/U.		X
TS-965/U		X
TS-1836B/U		X
ZM-3/U		X
ZM-4B/U		X
ZM-21B/U		X

**2. Applicable Tools and Test Equipment:**

See Appendix B for nomenclature, NSN, etc.

<i>Type No</i>	<i>AVUM</i>	<i>AVIM</i>
AN/GSM-6		X
AN'GSM-5		X
AN/UPM-3C	X	X
AN/URM-1OS05C	X	
AN/USM-23		X
AN/USM-281A		X

**3. Applicable Publications:**

- TM 11-6125-240-12
- TM 11-6125-240-34
- TM 11125-240-34P

**(Illustration Not Available)**  
*PU-750/A Motor Generator*

**1. Brief Description:** The PU-750/A is a motor-driven inverter that converts 28 volts DC from the aircraft power supply to 115 volts AC, 400 Hz, single-phase or 115/200 volts AC, three-phase. The output of the inverter can be either single-phase or three-phase but not both simultaneously. The PU-750/A will deliver 5000 volt amps of output power with an input of 28 volts DC at 285 amps.

**2. Applicable Tools and Test Equipment:** See Appendix B for nomenclature, NSN, etc.

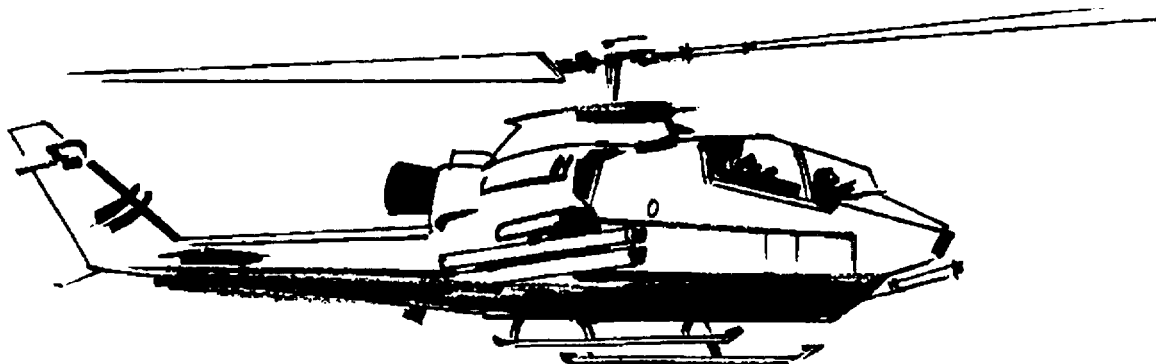
<i>Type No</i>	<i>AVUM</i>	<i>AVIM</i>
AN/GSM-6		X
ANGSMa5 X		
ANNUPM-3C	X	X
AN/URM-1 05	X	
ANUSM-223		X
ANUSM-281 A		X

<i>Type No</i>	<i>AVUM</i>	<i>AVIM</i>
ME-26DI		X
PP-4606AU		X
TK-1 00/G		X
TK-101/G	X	
TK- 105/G		X
TS-965/U		X
TS- 1836/U		X
ZM-3/U		X
ZM-4BU		X
ZM-21AU		X

**3. Applicable Publications:**

- TM 11-6125-256-20
- TM 11-6125-256-34
- TM 11-61-2-256-34P

**SECTION III**  
**TYPICAL AVIONICS**  
**CONFIGURATIONS OF**  
**ARMY AIRCRAFT**



**COBRA AH-I()**  
 - AVIONICS CONFIGURATION -  
 NSN: 1520-01-168-4260  
 EIC: RAF  
 NSN: 1520-01-192-2478  
 EIC: RAE

The following configuration depicts a typically configured AH-1(). The actual configuration may vary depending on peculiar geographic requirements or changes incorporated through MWO action and special purpose alteration.

<b>FUNCTION TYPE NUMBER</b>	<b>NOMENCLATURE</b>	<b>AH-IS</b>	<b>AH-IF</b>
<b>INTERCOM</b>			
C-1611( )/AIC	Intercom Control	2	
C-6533/ARC	Intercom Control		2
209-077-204-1	ICS Filter		2
<b>UHF/AM RADIO</b>			
AN/ARC-1BX consisting of:	Radio Set		
C-6287/ARC-51 BX	Control	1	
HD-615/ARC-51X	Cooler	1	
ID-1003/ARC	SWR Indicator	1	
MT-2653/ARC	Mount	1	
RT-742( )/ARC	Receiver-Transmitter	1	
AT-1108/ARC	VHF/UHF Antenna	<sup>1</sup> 1	
AN/ARC-164 or	Radio Set		<sup>2</sup> 1
AN/ARC-116( )	Radio Set		<sup>2</sup> 1
RT-1167/ARC-164(1)	Radio Set		1
AT-256A/ARC	UHF Antenna		1
HPF40-01T	UHF Hi Pass Filter		1
<b>VHF/AM RADIO</b>			
AN/ARC-134 consisting of:	Radio Set		
C-7197/ARC-134	Control	1	
MT-3791C/ARC-134	Mount	1	

FUNCTION TYPE NUMBER	NOMENCLATURE	AH-IS	AH-1F
RT-857/ARC-134	Receiver-Transmitter	1	
AN/ARC-115()	Radio Set		3 <sub>1</sub>
RT-1354/ARC-186(V)	Radio Set		3 <sub>1</sub>
AS-3204/ARC	VHF Antenna		1
AT-1108I ARC	VHF/UHF Antenna	1	
BPF40-03P	VHF Band Pass Filter		1
<i>VHF/FM RADIO</i>			
AN/ARC-54 consisting of:	Radio Set		
C-3835/ARC-54	Control	1	
MT-1535/ARC-54	Mount	1	
RT-348/ARC-54	Receiver-Transmitter	1	
AN/ARC-131 consisting of:	Radio Set		
C-7088/ARC-131	Control	1	
MT-3664/ARC-131	Mount	1	
RT-823/ARC-131	Receiver-Transmitter	1	
AS-1 108/ARC	FM Com Antenna	1	
AN/ARC-114()	Radio Set		1
AS-3205/ARC	FM Homing Antenna		1
209-077-202-3	FM Com Antenna Assy		1
LPF40-02B	FM Low Pass Filter		1
<i>SECURE VOICE</i>			
MD-736/A	Signal Discriminator	2	
MD-1101/A	Audio Threshold Device		1
MT-3772A RC	Mount	1	
MT-38021ARC	Mount		1
C-8157/ARC	Control-Indicator	1	1
<i>GYRO COMPASS</i>			
AN/ASN-43 consisting of:	Gyro Compass Set		
CN-405/ASN	Compensator	1	1
CN-998( )/ASN43	Directional Gyro	1	1
T-61 /ASN	Compass a Transmitter	1	1
C-6347/ASN	Compass Control		1
<i>ADF</i>			
AN/ARN-83 consisting of:	Direction Finder Set		
AS-1863/ARN-83	Loop Antenna	1	
C-6899/ARN-83	Control	1	
MT-3605/ARN-83	Mount	1	
R-1391/ARN-83	Receiver	1	
209-030-133-7	Sense Antenna	1	
AN/ARN-89B consisting of:	Direction Finder Set		
AM-4859A/ARN-89	Amplifier		1
AS-2108A/ARN-89	Loop Antenna		1
C-7392NARN-89	Control		1
R-1496ANARN-89	Receiver		1
209-030-133-7	Sense Antenna		1
<i>VORMB/GS</i>			
AN/ARN-123M3 consisting of:	Receiving Set		
C-10048/ARN-123(	Control		

FUNCTION TYPE NUMBER	NOMENCLATURE	AH-IS	AH-1F
MT-4980/ARN-123(V)	Mount		
R-2023/ARN-123(V)	Receiver		
AS-1304/ARN	VOR Antenna		
AS-3188/ARN	GS Antenna		
AT-640( )/ARN	MB Antenna		
<i>DOPPLER NAVIGATION</i>			
AN/ASN-128 consisting of:	Radar Altimeter Set		
CP-1252/ASN-128	Computer Display Unit		1
CV-3338/ASN-128	Signal Data Converter		1
RT-1 193/ASN- 28	Rcvr-Xmter-Antenna		1
<i>RADAR ALTIMETER</i>			
AN/APN-209( ) (V) consisting of:	Radar Altimeter Set		
AS-2595/APN-194(V)	Antenna		2
RT-1115( )/APN-209(V)	Rcvr-Xmitter-Ht Indicator		1
<i>IDENTIFICATION</i>			
AN/APX-72 consisting of:	Transponder Set		
C-6280A(P)/APX	Control	1	
MT-3809/APX-72	Mount	1	
RT-859( )/APX-72	Transponder	1	
MT-3513/APX	Mount (TS-1843)	1	
TS-1843( )/APX	Test Set	1	
AT-884( )/APX	Antenna (Lower)	1	
KIT-1A/TSEC	IFF Computer	1	
AN/APX-100 consisting of:	Transponder St		
C-10533/APX-100	Control		1
MT-4811/APX-100	Mount (RT-1157)		1
RT-1157( )/APX-100	Transponder		1
MT-3949NU	Mount (KIT-1A)		1
AT-741B/A	Antenna (Upper)		1
KIT-IATSEC	IFF Computer		1
<i>RADAR WARNING</i>			
AN/APR-39(V)I consisting of:	Radar Signal Detecting Set		
AS-2890/APR-39(	Blade Antenna		1
AS-2891/APR-39(V)	Right Spiral Antenna		2
AS-2892/APR-39V)	Left Spiral Antenna		2
C-9326/APR-39(V)	Control		1
CM-440/A PR-39(	Comparator		1
IP-1150/APR-39(V)	Indicator		1
R-1838/APR-39(V)	Receiver		2
<i>STABLIZATION</i>			
209-074-070-3	Control Panel	1	
209-074-080-103	Sensor Amplifier	1	
209-074-084-1	Control Panel		
209-074-092-1	Armament Compensator	1	
570-074010-11	Sensor Amplifier	1	
570-074-060-1	Control Panel	1	

FUNCTION TYPE NUMBER	NOMENCLATURE	AH-1S	AH-1F
570-074-131-3	Pylon Compensator	1	
570-074-315-3	Rate Gyro Sensor	1	
<i>COUNTERMEASURES</i>			
AN/ALQ-136(V)1 consisting of:	Countermeasures Set		
AS-30071ALQ-136	Antenna		2
RT-11149ALQ-136	Receiver-Transmitter		1
C-9576/ALQ-136	Operators Control Unit		1
ANIALQ-144(V)3 consisting of:	Countermeasures Set		
C-102800/ALQ-1 44	Control		1
T-1360(V) M /ALQ-144	Transmitter		1
<i>LASER TRACKER</i>			
ANIAAS-32 consisting of:	Airborne Laser Tracker Set		
C-9641 /AAS-32	Control	1	
MX-9623/AAS-32	Electronic Components Assy	1	
R-1960/AAS-32	Receiver-Tracker	1	
<i>MISCELLANEOUS</i>			
AM-3209/ASN	Servoamplifier	1	
CN-1314/A	Displacement Gyro		
CN-1497/A	Displacement Gyro	1	
ID-2103/A	Horizontal Situation Indicator		
ID-2104/A	Attitude Direction Indicator		
ID-2105/A	Radio Magnetic Indicator		
ID-250( )ARN	Radio Magnetic Indicator	1	
ID-48/ARN	Course Indicator	1	
ID-998/ASN	Radio Magnetic Indicator	1	
PP-6508/U	Static Inverter	1	
PP-7274( )/A	Stac Inverter	1	1
PU-543( )/A	Inverter	1	
MC-1	Rate Gyro	1	
TRU-2A/A	Rate Gyro		
209-077-081-3	HSI Display Control Panel		
209-077-081-5	HSI Display Control Panel		

**NOTES:**

1. The AT-1108 is used in both the UHF/AM and VHF/AM systems.
2. The AN/ARC-116 was installed in lieu of the RT-1167/ARC-164 in a few of the early FY 76 aircraft.
3. The AN/ARC-115 and R-1354/ARC-186 are interchangeable; therefore, either may be installed but not both.
4. Equipment may be installed in some aircraft.

**APPLICABLE AIRCRAFT AVIONICS MANUALS:**

TM 11-1520-236-20P  
TM 11-1520-236-23

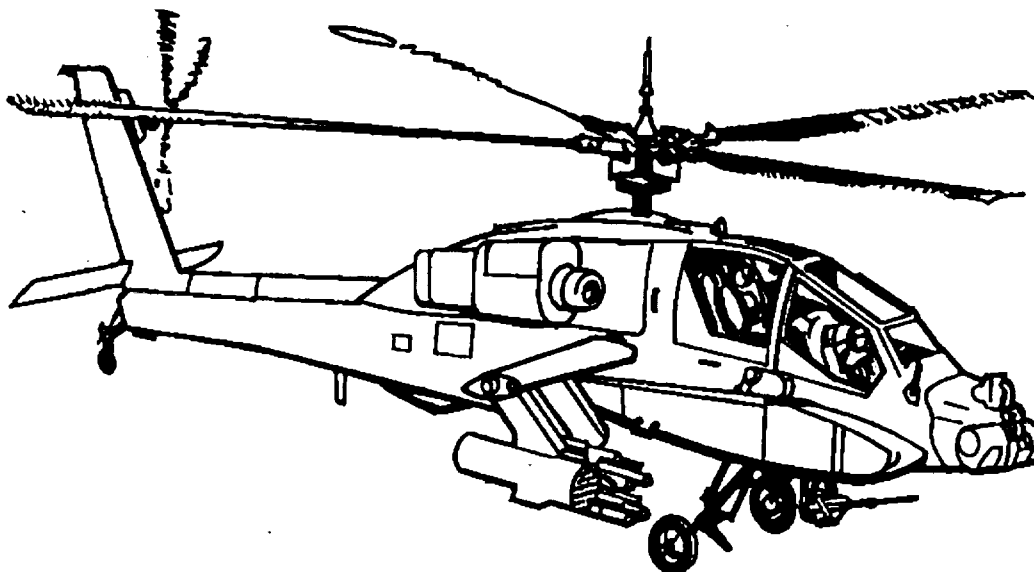
**TOOLS AND TEST EQUIPMENT REQUIREMENTS FOR:  
AH-1() HELICOPTER**

<b>MAINT. CAT.</b>	<b>NOMENCLATURE</b>	<b>NATIONAL/NATO STOCK NUMBER</b>	<b>TOOL NO.</b>
O	Took Kit, Electronic Equipment	5180-00-064-5168	TK-101/G
F,D	Took Kit, Electronic Equipment	5180-00605-0079	TK-100/G
F,D	Took Kit. Electronic Equipment	5180-00410-8177	TK-105/G
O,F,D	Maintenance Kit, Electronic Equipment	5821-00-045-9695	MK-693/A
O,F,D	Multimeter	6625-01-139-2512	AN/PSM45
F,D	Test Set, Electronics System	6625-00-878-7990	AN/ASN-338
F,D	Oscilloscope	6624-00-228-2201	ANIUSM-281A
F,D	Signal Generator		SG-298U
D	Electronic Tet Unit Bell Tern PIN		209-782-131-101
O,F	Headset Microphone	5965-00-7754656	
O	Test Set	4920-00-134-1533	AN/APM-378
O	Torque Wrench 0-30 inch-pounds	5120-00-168-5776	
O	Simulator, Radar Signal	6940-01-031-5887	SM-674/UPM
O	Batery Service Tool Kit	5180-00-542-5812	TK-90/G
O	Test Set Countermeasues	5865-01-121-8983	TS-3614/ALQ-136M
O	Watmeter	6625-00-813-8430	AN/URM-120
F,O	Multimeter	6625-00-999-7465	AN/USM-223
F	Osclltor, Audio Frequency	6624-00-678-5616	
F	Voltmeter, Electronic	6625-00443-1678	ME-30E/U
F	Kit, Faciltieest	6625-01-189-7882	MK-994/AR
O	TestSet, Receiver	6625-00-557-1168	AN/ARM-186
O	TestSet	6625-00-948-0071	AN/APM-123(V)1
O	Test Set, Pilot-Static	4920-00-580-2303	MB1A
O	Adapter Cable - (NOTE 1)		AN/ASN-43( )
O	Tester, Ground Transponder (NOTE 2)		UG2330AB01
O	Frequency Meter	6625-01-085-7707	527E
O	Precision Angle Indicator (PAI) (NOTE 3)	1290-01-067-0687	
O	Aiming Circle	1290-01-067-0687 M2A2	
F	DC Power Source 27.5 +- 2.0 Vdc, 5 amps	6130-00-199-0147	
F	AC Power Source 11 +- e Vac, 400 +- 20 Hz, 50 Va	6125-00-148-8342	
O	Screwdriver, Nonmagnetic	5120-00-473-6540	
F	Resistor, 150 ohm	5905-00-728-154	
F	Resistor, 1000 ohm	5905-00-121-9861	

Note1. Adapter cable may be manufactured as per drawing supplied. See Maintenance Allocation Chart (MAC), Page B-21, TM 11-1520-236-23 for drawing.

Note2. Synchro Panel Meter, Model 800, North Atlantic Industries Ref NAI-TM 5012 Operating and Maintenance Manual.





**APACHE AH-64A**  
- AVIONICS CONFIGURATION -  
NSN: 1520-01-106-9519  
EIC: RHA

The following configuration depicts a typically configured AH-64A. The actual configuration may vary depending on peculiar geographic requirements or changes incorporated through MWO action and special purpose alteration.

<b>FUNCTION</b>	<b>TYPE NUMBER</b>	<b>NOMENCLATURE</b>	<b>AH-64A</b>
<i>INTERCOM</i>			
	7-313200070-3	Audio Junction Unit	1
	7-313200070-7	Audio Junction Unit	1
	C-10414(V)3/ARC or	Control Unit Communication	2
	C-10414/ARC or	Control Unit Communication	2
	C-11746(V)4/ARC	Control Unit Communication	2
	ID-2403	Indicator	1
<i>UHF/AM RADIO</i>			
	AN/ARC-164 consisting of:	UHF/AM System	
	RT-1167/ARC-164( or	Receiver-Transmitter	1
	RT-1167C/ARC-164 or	Radio Set	1
	RT-1518/ARC-164(	Receiver-Transmitter	1
	7-313200030	Lower IFF/UHF Antenna	1
	H54261-1	Filter, High Pass	1
<i>VHF/FM RADIO</i>			
	AN/ARC-186(V) consisting of:	VHF/FM System	
	AS-4278/ARC	VHF/FM Antenna	1
	RT-1354/ARC-1 86(V)	Receiver-Transmitter	1 <sup>2</sup>
	7-311122630 or	AM/FM #1 Antenna	1
	AS278/ARC (AV412)	AM/FM #1 Antenna	1
	7-313200031	AM/FM #2 Antenna	1

<b>FUNCTION TYPE NUMBER</b>	<b>NOMENCLATURE</b>	<b>AH-64A</b>
<i>SECURE VOICE</i> MT-3802/ARC	Mount (KY-58)	1
<i>AHRS</i> AN/ASN-143	Heading Attitude Reference System	1
<i>ADF</i> AN/ARN-89B consisting of: AS-2108A/ARN-89 7-311G00014 AM-4859A/ARN- 89 C-7392/ARN-89 or C-7392A/ARN-89 R-1496/ARN-89 or R-1496A/ARN-89 or R-2382/ARN-149(V) consisting of: AS-3933ARN-149 MT-6583/ARN-149 R-2382/ARN-149 C-12192/ARN-149	Direction Finder Set Antenna, ADF Loop Sense Antenna Amplifier Control Control Receiver Receiver Direction Finder Set Antenna Mount Receiver Control	 1 1 1 1 1 1 1 1 1 1 1 1 1 1
<i>DOPPLER NAVIGATION</i> AN/ASN-128 or AN/ASN-137 consisting of: CP-1252B/ASN-128 or CV-3338/ASN-128 or RT-1193/ASN or RT-11 93A/ASN CV-3669/ASN-137 or CV-3669AASN-137 IP-1552A/G or IP-1552B/G AN/ASN-143	Doppler Navigation Set Doppler Navigation Set Computer Display Unit Signal Data Converter Receiver-Transmitter Antenna Receiver-Transmitter Antenna Signal Data Converter Signal Data Converter Computer Display Unit Computer Display Unit Heading Reference System	   1 1 1 1 1 1 1 1 1
<i>RADAR ALTMETER</i> AN/APN-209B(V)4 consisting of: AS-2595/APN-194 or AS-3831/APN-209 ID-1917/APN-209 or ID-1917A/APN-209 or ID-1917B/APN-209 or ID-1917C/APN-209 RT-1115A/APN-209(V) or RT-1 1 15B/APN-209(V) or RT-1115C/APN-209(V) or RT-1115D/APN-209(V) or RT-1411/APN-209 or RT-1411INAPN-209	Radar Altimeter Antenna Antenna Height Indicator Height Indicator Height Indicator Height Indicator Receiver-Transmitter Receiver-Transmitter Receiver-Transmitter Receiver-Transmitter Receiver-Transmitter Receiver-Transmitter Receiver-Transmitter	 1 2 1 1 1 1 1 1 1 1 1 1 1
<i>RADAR WARNING</i> AN/APR-39(V)1 consisting of: AS-2890/APR-39(V) AS-2891/APR-39(V)	Radar Signal Detecting Set Blade Antenna Spiral Antenna (RH)	 1 2

<b>FUNCTION TYPE NUMBER</b>	<b>NOMENCLATURE</b>	<b>AH-64A</b>
AS-2892/APR-39(V)	Spiral Antenna (LH)	2
C-9326/APR-39(V)	Control	1
CM-440/APR-39(V)	Comparator	1
IP-1150/APR-39(V)	Indicator	1
R-1838APR-39V)	Receiver	2
<i>SYMBOL GENERATOR SYSTEM</i>		
7-319800002-3 or	Symbol Generator	1
7-319800002-7 or	Symbol Generator	1
MX-10465/ASQ	Symbol Generator	1
<i>VIDEO DISPLAY UNIT SYSTEM</i>		
7-311C10025 or	Video Display Unit Assy	1
7-311C10025-5 or	Video Display Unit Assy	1
7-311C10025-7	Video Display Unt Assy	1
<i>INDICATOR RADIO MAGNETIC SYSTEM (RMI)</i>		
M313	Indicator Radio Magnetics	1
<i>HORIZONTAL SITUATION INDICATOR SYSTEM (HSI)</i>		
ID-2278A	Indicator Assy	1
<i>PITCH RATE GYRO SYSTEM</i>		
7-211D10007-13 or	Gyro Assy Pitch Rate	2
7-211 D10007-15 or	Gyro Assy Pitch Rate	2
7-211 D10007-17	Gyro Assy Pitch Rate	2
<i>IDENTIFICATION</i>		
AN/APX-100 consisting of	Helicopter IFF System	
MT-3949A/U	Mount (KIT-1A)	1
RT-1296/APX-100 (V) or	Receiver-Transmitter	1
RT-1296AAPX-100 or	Receiver-Transmitter	1
RT-1296B/APX-100 (V) or	Receiver-Transmitter	1
RT-1557/APX-100(V) or	Receiver-Transmitter	1
RT-1557NAPX- 100V)	Receiver-Transmitter	1
7-313200030	Lower IFF/UHF Antenna	1
AT-741( )/A or	Upper IFF Antenna	1
AV434-2	Upper IFF Antenna	1
<i>COUNTERMEASURES</i>		
AN/ALQ-1 36(V)5 or	Countermeasures Set	
AN/ALQ-144M3 consisting of	Countermeasures Set	
RT-1149/ALQ-136	Receiver -Transmitter	1
C-9576/ALQ-144	Control Countermeasures	1
T-1360(V)1/ALQ-144	Transmitter	1
AS-3711	Antenna, Xmtting	1
AS-3710	Antenna, Receiving	1
<i>AUXILARY EQUIPMENT</i>		
709410 or	Battery Charger	1
709410-1	Battery Charger	1
7-319510400 or	Video Recorder Panel Assembly	1
7-319510400-3 or	Video Recorder Panel Assembly	1
7-319510400-5 or	Video Recorder Panel Assembly	1
V-1000AB-F TYPE 2	Video Recorder	1

**NOTES:**

1. Applied in conjunction with ECP1238, "Noise Cancelling.
2. Approximately 450 AH-64-A versions will be upgraded to the "AH-64A PLUS". The "PLUS" will receive the following B-16 managed avionics: 1) Embedded Global Positioning Inertial Navigation Unit (EGI); and, 2) Data Transfer System: MU-1004AA Data Cartridge and MU-1005/A Data Receptacle. Projected time frame: FY96 through 98.

**APPLICABLE AIRCRAFT AVIONICS MANUALS:**

TM 11-1520-238-23-1

TM 11-1520-238-23-2

TM 11-1520-238-23P

**TOOLS AND TEST EQUIPMENT REQUIREMENTS FOR:  
AH-64A - HELICOPTER**

<b>MAINT. CAT.</b>	<b>NOMENCLATURE</b>	<b>NATIONAL/NATO STOCK NUMBER</b>	<b>TOOL NO.</b>
D,F,OTool	Kit, Electronic Equipment	5180-00-064-5178	TK-101/G
	Knife, Putty	5120-00-221-1536	
	Wrench, 764 Tee	5120-01-2414210	GAW 1907
	Wrench, Torque	5120-00-775-1841	
	Socket	5120-00-935-7485	
	Rule, Steel, Machinists	5120-00-971-8827	
	Retriever, Wire	5120-00602-0947	MS25119-1
	Tool, Insertion-Extraction		M15570-20
	Tweezers	5120-00-233-6985	
	Wrench, Torque, 1/4 Drive	5120-00-5424489	
	Crowfoot Attachment 716, 1/4 Drive	5120-00-5414073	
	Crowfoot Attachment 3/8, 1/4 Drive	5120-00-5414072	
	Gloves, Rubber	8415-00-266-8677	
	Goggle, Industrial	4240-00-052-2776	



**Longbow AH-64D**

- AVIONICS CONFIGURATION -  
NSN: 1520-01-355-8250  
EIC NONE

The following configuration depicts a typically configured AH-64D. The actual configuration may vary depending on peculiar geographic requirements or changes incorporated through MWO action and special purpose alteration.

<b>FUNCTION TYPE NUMBER</b>	<b>NOMENCLATURE</b>	<b>AH-64D</b>
<i>INTERCOM</i>		
7-51320001-5	Control Panel Communications	1
7-503200010-1	Interface Unit Communications	1
M8805/55-001	Switch push Pilot/Copilot RH	1
M880S55-001	Switch push Pilot/Copilot RH	1
7-513200004-9	Component Plate	1
7-513200003-13	Support Plate Assembly	1
7-511B12020-33	Indicating Light Panel	1
<i>VHF AM/FM SYSTEM</i>		
AN/ARC-186 consisting of:		
RT-1614/ARC-186	Receiver-Transmitter	1
AS-4278/ARC	Antenna VHF FM	1
<i>UHF/AM RADIO</i>		
AN/ARC-164 consisting of:		
RT-1614/ARC-186	Receiver-Transmitter	1
7-313200030	Antenna-UHF AM/L Band	1
HS4261	High Pass Filter	1

<b>FUNCTION TYPE NUMBER</b>	<b>NOMENCLATURE</b>	<b>AH-4D</b>
<i>VHF/FM RADIO</i>		
AN/ARC-201() consisting of:		
RT-1478/ARC-201A	Receive-Transmitter No. 1/No. 2	2
CY-8515/ARC-201	Battery Box	1
CV-3885/ARC-201	Data Rate Adapter	1
AM-7189/ARC-201	Amplifier, Power VHF/FM	1
CU-2481/ARC	Diplexer	1
AS-3939/ARC (AV-270-2)	Antenna VHF/FM #2	1
7-313200031	Antenna Wide Band	1
<i>SECURE VOICE</i>		
MD-1295/A	Improved Data Modem	1
<i>INERTIAL NAVIGATION</i>		
7-514200034-1	Embedded Global Positioning Inertial	2
Navigation		
<i>DOPPLER NAVIGATION</i>		
AN/ASN-157	Doppler Navigation System	1
<i>ADF NAVIGATION SYSTEM</i>		
R-2382/ARN-149M	Receiver, ADF Radio	1
MT-6583/ARN-149	Mount	1
AS-3833/ARN-149	Antenna, ADF	1
<i>RADAR ALTIMETER</i>		
AN/APN-209 consisting of:		
RT-141 1NAPN-209M() or	Receiver-Transmitter Radar Altimeter	1
RT-141 1/APN-209(V) or	Receiver-Transmitter Radar Altimeter	1
RTR-11 15/APN-209() or	Receiver-Transmitter Radar Altimeter	1
RT-11 5B/APN-209(V) or	Receiver-Transmitter Radar Altimeter	1
RT-1 11 5CAPN-209(V) or	Receiver-Transmitter Radar Altimeter	1
RT-1115DIAPN-209(V) or	Receiver-Transmitter Radar Altimeter	1
AS-3831/APN-209	Antenna	2
<i>IFF SYSTEM</i>		
AN/APX-100 consisting of		
RT-1471/APX-100(V)	Receiver-Transmitter Radar	1
AT-741/A or	Antenna IFF Upper	1
AV-34-2	Antenna IFF Upper	1
7-313200030	Antenna IFF Lower	1
7-513200011-1	CPG/Pilot Emer.IFFGuard Zeroize Panel	1
<i>COUNTERMEASURES</i>		
AN/APR-39( consisting of:		
R-1838/APR-39O()	FWD Radar Warning Receiver	1
R-1838/APR-39M(V)2	AFT Radar Warning Receiver	1
AS-2891/APR-39(V)	Antenna, Radar Warning Spiral (CCW)	2
AS-2891/APR-39)2	Antenna, Radar Warning Spiral (CW)	2
AS-2890/APR-39)	Antenna, Radar Warning Blade	1
CP-1597/APR-39A(V)	Processor Digital Radar Warning	1
SU-130/AVR-2	Sensor Unit	1
CMJ93/AVR-2	Comparator Interface Unit	1
AN/ALQ-136(V) consisting of		
RT-1149/ALQ-136M1	Radar Jammer	1
AS-3711	Antenna Transmitting Radome Assy	1
AS-3710	Antenna Receiving Radome Assy	1
AN/ALQ-144 consisting of:		
T-1360/ALQ-144	Infrared Jammer Unit	1

<b>FUNCTION TYPE NUMBER</b>	<b>NOMENCLATURE</b>	<b>AH-4D</b>
<i>AUXILIARY EQUIPMENT</i>		
V-1000AB-F TYPE 2	Video Recorder	1
7-511 B11116-1	Bate Charger	1
MU-1005/A	Data Transfer Receptacle	1
MU-1004IA	Data Cartridge Transfer	

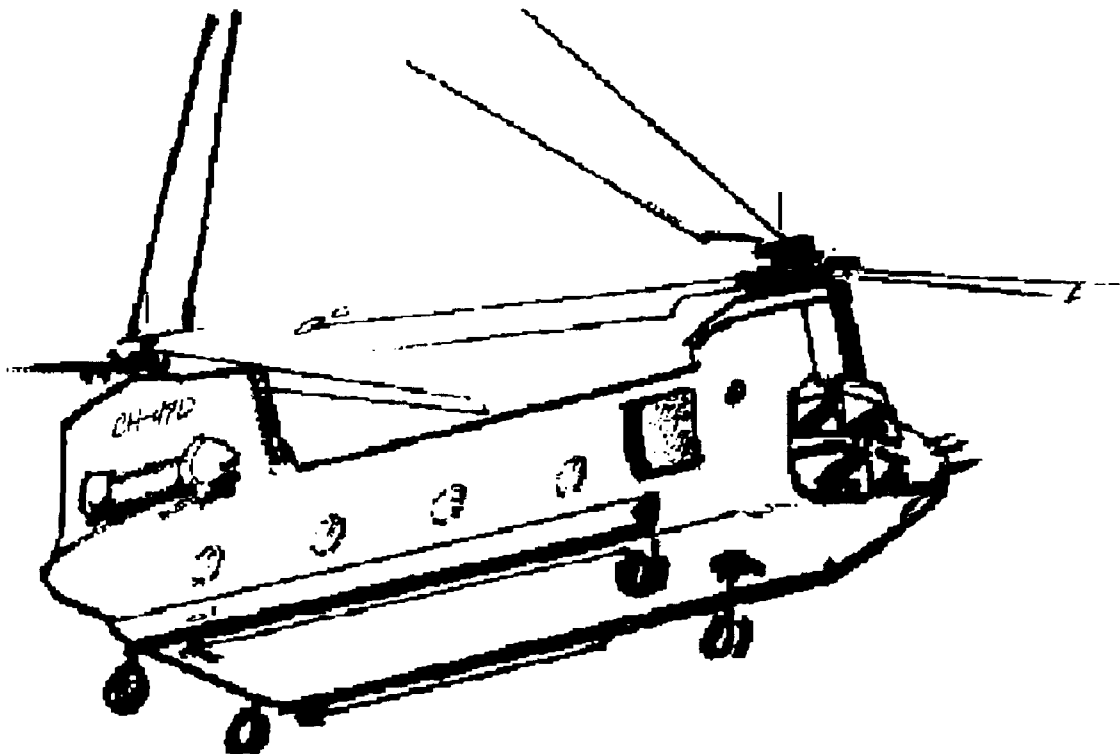
**APPLICABLE AIRCRAFT AVIONICS MANUALS:**

Not Applicable.



**TOOLS AND TEST EQUIPMENT REQUIREMENTS FOR:  
AH-64D - HELICOPTER**

There are no Tools and Test Equipment Requirements listed at the time of this printing.



**CHINOOK CH-47D**  
- AVIONICS CONFIGURATION -  
NSN: 1520-01-088-3669  
EIC: RCD

The following configuration depicts a typically configured CH47D. The actual configuration may vary depending on peculiar geographic requirements or changes incorporated through MWO action and special purpose alteration.

**FUNCTION**

<b>TYPE NUMBER</b>	<b>NOMENCLATURE</b>	<b>CH47D</b>
<i>INTERCOM</i>		
145E3118-()	Interphone Junction Box	2
C-6533/ARC	Intercom Control	6
<i>UHF/AM RADIO</i>		
AT-256( )/ARC	UHF Antenna	1
HPF40-01T	UHF Hi Pass Filter	1
RT-1167/ARC-164(V)	Radio Set	1
<i>VHF/AM RADIO</i>		
RT-1354/ARC-186(V)	Radio Set	1
S65-8282-30	VHF/AM-FM Antenna	1
BPF40-03P	VHF Band Pass Filter	1
<i>VHF/FM RADIO</i>		
RT-1354/ARC-186(V)	Radio Set	1
CM-92/ARC-186(V)	FM Homing Unit	1
AS-1922/ARC	FM Homing Antenna	1

<b>FUNCTION TYPE NUMBER</b>	<b>NOMENCLATURE</b>	<b>CH-47D</b>
S65-8282-30	VHF/AM-FM Antenna	1
LPF40-02B	FM Low Pass Filter	1
<i>HF RADIO</i>		
AN/ARC-102 consisting of	Radio Set	
RT-698/ARC-102	Receiver-Transmitter	1 <sup>1</sup>
C-3940/ARC-94	Control	1
CU-1658( )/A	HF Antenna Coupler	1
MT-2641/ARC	Mount (RT-698)	1
MT-3772A/A	Mount (CU-1658) 1	
114E3094 - ( )	HF Antenna	1
<i>GYRO COMPASS</i>		
AN/ASN43 consisting of	Gyro Compass Set	
CN405/ASN	Compensator	1
CN-998( )/ASN	Directional Gyro	1
T-611/ASN	Compass Transmitter	1
C-8021AASN-75	Compass Control	1
<i>ADF</i>		
AM-4859A/ARN-89	Amplifier	1
AS-1869/ARN	Sense Antenna	1
AS-2108A/ARN-89	Loop Antenna	1
C-7392AARN-89	Control	1
R-1496ANARN-89	Receiver	1
<i>VOR/MB/GS</i>		
AN/ARN-123(v)1 consisting of:	Receiving Set	
C-0048/ARN-123	Control	1
MT-834/ARN-123)	Mount	1
R-2023/ARN-123(	Receiver	
AT-326/ARN	GS Antenna	1
AT-640( )/ARN	MB Antenna	1
137X-1	VOR Antenna	1
<i>DOPPLER NAVIGATION</i>		
AN/ASN-128 consisting of	Doppler Navigation Set	
CP-1252/ASN-128	Computer Display Unit	1
CV-3338/ASN-128	Signal Data Converter	1
RT-1 193/ASN- 128	Receiver-Transmitter-Antenna	1
<i>RADAR ALTIMETER</i>		
AN/APN-209(B)M2 consisting of:	Radar Altimeter Set	
AS-2595/APN-194(V)	Antenna	2
ID-1917A/APN-209(V)	Height Indicator	1
RT-111 5(B)/APN-209(V)	Receiver Transmitter-Height Indicator	1
<i>IDENTIFICATION</i>		
AT-740/A	Antenna	1
AT-884( )/APX	Antenna	1
MT-3949A/U	Mount	1
RT-1285( )/APX-100	Transponder	1
<i>ATTITUDE INDICATING</i>		
CN-811 ( )/ASN;9000F;SBU-6	Displacement Gyro	<sup>2</sup> 2

FUNCTION TYPE NUMBER	NOMENCLATURE	CHJ7D
<i>RADAR WARNING</i>		
AN/APR-39(V)1 consisting of: Radar Signal Detecting Set		
AS-2890/APR-39(	Blade Antenna	1
AS-2891/APR-39(V)	Right Spiral Antenna	2
AS-2892/APR-39(V)	Left Spiral Antenna	2
C-9326/APR-39(V)	Control	1
CM-440/APR-39(V)	Comparator	1
IP-1 150/APR-39(V)	Indicator	1
R-1838/APR-39(	Receiver	2
<i>SECURE VOICE</i>		
C-8157/ARC	Control-indicator	1
MD-1047fA	Audio Threshold Device	1
MT-3802/ARC	Mount	1
<i>STABILIZATION</i>		
114E2186-( )	Speed Trim Amplifier	1
114E3030-( )	SAS Amplifier	1
<i>COUNTERMEASURES</i>		
AN/ALQ-156(V)1 consisting of:		
AS-3149/ALQ-156(V)	Antenna	2
C-10131/ALQ-156(V)	Control-Indicator	1
RT-1 220/ALQ-156(V)	Receiver-Transmitter	1
<i>POWER SOURCE</i>		
BB432B/A	Battery	1
PP-7798/A	Battery Charger	1
<i>MISCELLANEOUS</i>		
ID-2103/A	Horizontal Situation Indicator	2

**NOTES:**

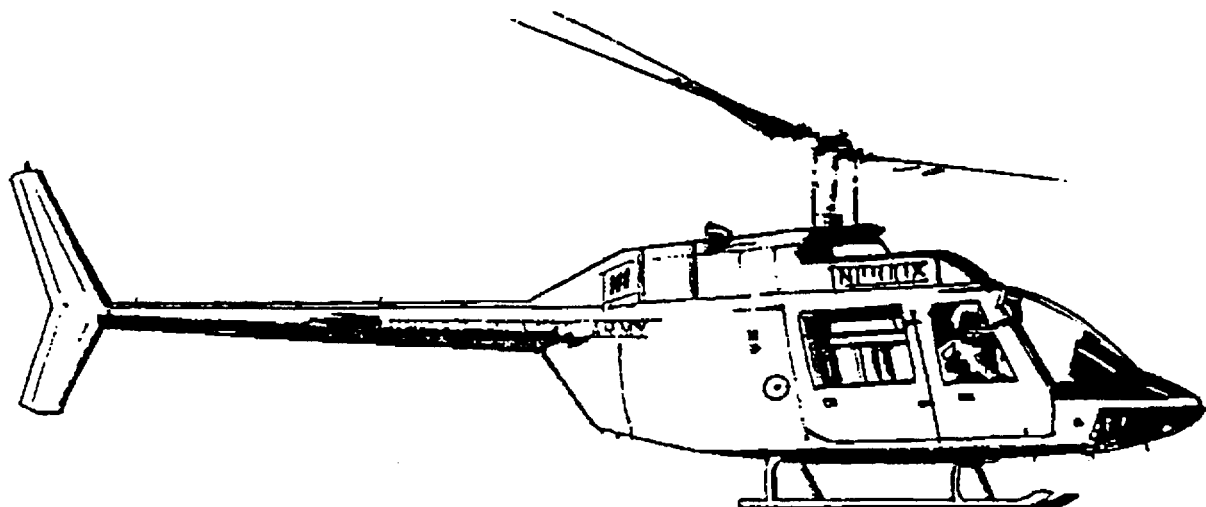
1. The RT-1354 can be used in either the VHF/AM or VHF/FM mode.
2. The CN-811 B, CN-811 C and 9000F gyros can be used on all models of the CH47 aircraft. However, the CN-811 plain, CN-811A and SBU-6 can only be used on the CH47A, B, and C. Refer to data sheet on the CN-811 ( ) for differences.
3. The Z-AHP, Z-AHQ and TSEC/KY-58 comprises the Vinson Airborne COMSEC. These components are authorized by TO&E.

**APPLICABLE AIRCRAFT AVIONICS MANUALS:**

- TM 11-1520-240-23-1
- TM 11-1520-240-23P-1
- TM 11-1520-240-23P-2
- TM 11-1520-240-23P-3
- TM 11-1520-240-23P-4

TOOLS AND TEST EQUIPMENT REQUIREMENTS FOR:  
CH-47D HELICOPTER

MAINT. CAT.	NOMENCLATURE	NATIONALINATO STOCK NUMBER	TOOL NO.
O	Tool Kit, Electronic Equipment	5180-00-064-5178	TK-101/G
O	Multimeter, Digital	6625-01-139-2512	AN/PSM-45
O	Tool Kit, Electronic Equipment	5180-00605-0079	TK-10/G
O	Test Facilities Kit	6625-00-802-7191	MK-994/AR
O	Test Set, Radio	6625-01-1144481	AN/GRM-114A
O	Multimeter, Digital	66251-145-2430	AN/USM-486
O	Headset-Microphone	5965-00-627-8382	H-101AU
O	Semiconductor Device Test Set	6625-00-893-2628	TS-1836/U
O	Multimeter	6625-00-581-2036	AN/URM-105
O	Handset	5965-00-163-9947	H-33F/PT 1756505
O	Spline Wrench	5120-00-293-0195	.062 IJA8617419
O	Fill Device, Electronic Counter	5895-01-188-8816	MX-10579NRC
O	Wrench, 5/16" open end	5120-00-228-9503	
O	Torque Wrench 8 0.in/# for SMA Connectors	5120-00-169-5776	
O	Tool Kit, Battery Service	5180-00-542-5812	TK-90/G
O	Maintenance Kit	5821-00-045-9695	MK-693A
O	Headset Microphone	8415-01-078-4575	SPH-4A
O	Headset Microphone	5965-01-128-1410	H-158/A1C
O	Electrical Dummy Load	6625-00-177-1639	DA-75/U
O	Radio Frequency Power Test Set	6625-00-813-8430	AN/URM-120
O	Tool Kit	5180-00410-8177	TK-105/G
O	Handset	5965-00-069-8886	H-189/G
O	General Purpose Tape Reader	5810-01-026-9620	KOI-18
O	Electronic Transfer Device	5810-01-026-9618	KYK-13
O	Fill Cable	5180-01-066-7587	ON512424
O	Thru-line Wattmeter	6625-01-123-8098	AN/URM-120B
O	Low Resistance Ohmmeter Model	6625-01-125-3471	247000
O	Electronic Fill Device	5895-01-270-3935	MX-18290NRC
O	Refectometer, Time Domain	6625-01-0374412	1502C
O	VOR Line Test Set	6625-00-557-1168	AN/ARM-186
O	Threat Signal Generator	66251-252-5818	MTS-300



**KIOWA OH-58A/C**  
- AVIONICS CONFIGURATION -  
NSN: 1520-00-169-7137  
EIC: ROA  
NSN: 1520-01-020-4216  
EIC: ROB

The following configuration depicts a typically configured OH-58(). The actual configuration may vary depending on peculiar geographic requirements or changes incorporated through MWO action and special purpose alteration.

<b>FUNCTION</b>	<b>TYPE NUMBER</b>	<b>NOMENCLATURE</b>	<b>OH-58A</b>	<b>OH-58C</b>
<i>INTERCOM</i>				
	206-075-483-1	Impedance Matching Network	1	1
	C-6533/ARC	Intercom Control	3	3
<i>UHF/AM RADIO</i>				
	ANARC-51BX consisting of	Radio Set		
	C6287/ARC-51 BX	Control	1	
	HD615/ARC-51X	Cooler	1	
	ID-1003/ARC	SWR Indicator	1	
	MT-2653/ARC	Mount	1	
	RT-742( )/ARC	Receiver-Transmitter	1	
	ANARC-116( )	Radio Set	1	1
	RT-1167( )/ARC-164	Radio Set	1	1
	HPF40-01T	UHF Hi Pass Filter	1	1
	AS-2487/ARC(206-075-551-1)	UHF Antenna	1	1
<i>VHF/AM RADIO</i>				
	ANARC-115( )	Radio Set	1	1
	206-075-518-1	VHF Antenna	1	1
	RT-1354/ARC-186	Radio Se	1	1
<i>VHF/FM RADIO</i>				
	AN/ARC-114( )	Radio Set(#1 FM)	1	1
	AN/ARC-114( )	Radio Set (#2 FM)	1	1
	AS-2485/ARC	FM Com Antenna	1	1

<b>FUNCTION TYPE NUMBER</b>	<b>NOMENCLATURE</b>	<b>OH-58A</b>	<b>OH-58C</b>
AS-2486/ARC	#1 FM Homing Antenna (LH)	1	1
AS-2670/ARC	#1 FM Homing Antenna (RH)	1	1
LPF40-02B(205-075-380-1)	FM Low Pass Filter		1
<i>SECURE VOICE</i>			
MD-1101A	Audio Threshold Device	1	1
MT-3802/ARC	Mount	1	1
<i>GYRO COMPASS</i>			
AN/ASN43 consisting of:	Gyro Compass Set		
CN405/ASN	Compensator	1	1
CN-998( )ASN	Directional Gyro	1	1
TI I/ASN	Compass Transmitter	1	1
<i>ADF</i>			
ANhARN89( ) consisting of	Direction Finder Set		
AM4859( )ARN9	Amp r	1	1
AS-2108( )/ARN-89	Loop Antenna	1	1
C-7392()/ARN-89	Control	1	1
R-1496( )ARN-89	Receiver	1	1
206-032-310-3	ADF Sense Antenna Assy	1	1
<i>VOR/MB/GS</i>			
ANARN-123( consisting of	Receiving Set		
C-10048/ARN-123V	Control		
MT4834/ARN-123(	Mount		1
R-2023/ARN-123M	Receiver		1
206-075-716-1	Indicator Course		1
AS-1304/ARN	VOR Antenna		1
AS-3188/ARN	GS Antenna		1
AT-640( )/ARN	MB Antenna		1
<i>DOPPLER NAVIGATION</i>			
AN/ASN-137	Doppler Navigation Set		
<i>RADAR ALTIMETER</i>			
AN'APN-209( )(V) consisting of	Radar Altimeter Set		
AS-2595/APN-194M	Antenna	2	2
RT-1115( )/APN-209(V)	Receiver-Transmitter-Height Indicator		1
AN/APN-209BM3	Radar Altimeter Set		
<i>IDENTIFICATION</i>			
AN/APX-72 consisting of	Transponder Set		
C-6280A(P)/APX	Control	1	
MT-3809/APX-72	Mount	1	
RT-859( )/APX-72	Transponder	1	
MT-3513/APX	Mount (TS-1843)	1	
TS-1843( )/APX	Test Set	1	
RT-1285( )APX-100	Transponder		1
AT-884( )/APX	Antenna	1	1
206-077-109-1	Antenna		1
AT-741( )/A	Antenna	1	1
MT-3949A/U	Mount (KIT-A)	1	1
<i>RADAR WARNING</i>			
AN/APR-39)1 consisting of:	Radar Signal Detecting Set		
AS-2890/APR-39(V)	Blade Antenna	1	1
AS-2891/APR-39(V)	Right Spiral Antenna	2	2
AS-2892/APR-39(V)	Left Spiral Antenna	2	2
C-9326/APR-39(	Control	1	1

<b>FUNCTION TYPE NUMBER</b>	<b>NOMENCLATURE</b>	<b>OH-58A</b>	<b>OH-58C</b>
CM-440/APR-39(V)	Comparator	1	1
IP-1150APR-39(V)	Indicator	1	1
R-1838/APR-39(	Receiver	2	
<b>CONTROL/DISPLAY</b>			
406-947-307	Control Display Sys (CDS)	1	1
<b>POWER SOURCES</b>			
BB476A	Battery	1	1
BB76/A	Battery	1	1
PP4376/A	Static Inverter	1	1
<b>MISCELLANEOUS</b>			
ID-1351(C),(D),(E)A	HRB Indicator		1
ID-1351(PL)(A),(B)/A	HRB Indicator	1	

**APPLICABLE AIRCRAFT AVIONICS MANUALS:**

TM 11-1520-228-20 (Pertains to OH-58A)  
 TM 11-1520-228-20-1 (Pertains to OH-58C)  
 TM 11-1520-228-20P (Pertains OH-58C)  
 TM 11-1520-228-34 (Pertains to OH-58A)  
 TM 11-1520-228-34-1 (Pertains to OH-58C)  
 TM 11-1520-228-34P (Pertains to OH-58A C)  
 TM 11-1520-228-ESC



**TOOLS AND TEST EQUIPMENT REQUIREMENTS FOR:  
OH-58A/C HELICOPTER**

<b>MAINT. CAT.</b>	<b>NOMENCLATURE</b>	<b>NATIONAL/NATO STOCK NUMBER</b>	<b>TOOL NO.</b>
F	Tool Kit, Electronic Equipment	5180-00-605-0079	TK-100/G
O	Tool Kit, Electronic Equipment	5160-00-064-5178	TK-101/G
F	Tool Kit, Electronic Equipment	5160-00-610-8177	TK-105/G
O,F	Multimeter, Digital	6625-01-139-2512	AN/PSM-45
O	Maintenance Kit, Electronic Equipment	5821-00-045-9695	MK-693/A
O	Test Set, Transponder	4920-00-134-1533	ANAPM-378*
F	Wattmeter	6625-00-868-8334	ME-162/U
O	Simulator, Radar Signal	6940-01-031-5886	SM-736/UPM
O	Torque Wrench	5120-00-169-5776	T-8438
O	Insertion Tool CIT-C2	5120-00-947-9965	71468
O	Extraction Tool, CET-C1	5120-00-869-0728	71468
O	Test, Receiver	6625-01-557-1168	AN/ARM-186
F	Oscilloscope	6625-01-187-7847	ANUSM-488
F	Test Set	4931-01-280-9754	TS-4321AVR-2

\*Use until Test Set, Transponder AN/APM424 becomes available. NSN: 6625-01-1524705.



*KIOWA WARRIOR  
OH-58D (AHIP)  
- AVIONICS CONFIGURATION -  
NSN: 1520-01-125-5476  
EIC: ROC*

The following configuration depicts a typically configured OH-58D (AHIP). The actual configuration may vary depending on peculiar geographic requirements or changes incorporated through MWO action and special purpose alteration.

FUNCTION TYPE NUMBER	NOMENCLATURE	OH-58D
INTERCOM		
C-10414(V)3	Intercom Control System	2
406-077-801-101	Audio Distribution Unit	1
UHF/AM RADIO		
205-075-381-1	UHF Hi Pass Filter	1
AS-2487/ARC(206-075-551-1	UHF Antenna	1
RT-1614/ARC-164M	Receiver-Transmitter	
VHF/AM RADIO		
205-075-382-1	VHF Band Pass Filter	
406-577-010-101	VHF AM/#1 FM Corn (Fin) Antenna	1
BPF40-03P(205-075-382-1)	VHF Band Pass Filter	1
RT-1300B/ARC-186	Receiver-Transmitter	1
VHF/FM RADIO		
406-077-805-101	#2 FM Antenna Coupler	1
406-077-817-101	FM #2 Corn/Homing Antenna	2
406-077-822-101	VHF/FM Bandpass Filter	1
406-577-010-101	VHF AM/Hi Fm Com (Fin) Antenna	1
CM492/ARC-186(V)	FM Homing Unit (#2 FM)	1
RT-1 300BARC-186	Receiver-Transmitter	2
HF-SSB RADIO		
ANARC-199 consisting of:	Radio Set	
406-077-109-101	HF Antenna	21
AM-7201/U	Amplifier-Coupler	1
RT1432/U	Receiver-Transmitter	21
CU-2305/ARC-199	Antenna Coupler	1

FUNCTION TYPE NUMBER	NOMENCLATURE	OH-58D
IMPROVED VHFFM AN/ARC-201A(V) consisting of RT-1478A/RC-201A CV-3885/ARC-201A MT4347/ARC-201A AM-7189ARC	IFM SINCGARS Radio System Receiver-Transmitter Data Rate Adapter Mounting Base, Electrical Equipment RF Amplifier	 1 1 1 1
SECURE VOICE TSEC/KY-75	Com Security Set	1
GYRO COMPASS AN/ASN43 consisting of: C4347(MOD)ASN CN-998( )/ASN T-61 IASN	Gyro Compass Set Compass Control Directional Gyro Compass Transmitter	 1 1 1
AHRS AN/ASN-142	Attitude Heading Reference System	1
DOPPLER NAVIGATION AN/ASN-137 consisting of: CV-3669/ASN-137 RT-1193/ASN-128	Doppler Navigation Set Signal Data Converter Receiver-Transmitter-Antenna	 1 1
RADAR ALTIMETER AN/APN-209BM3 consisting of AS-3586/APN-209A(V) RT-1411/APN-209A(V)	Radar Altimeter Set Antenna Receiver-Transmitter	 2 1
IDENTIFICATION AT-741( )M MT-3949A/U MT4811IAPX-100 RT-1471/APX	Antenna Mount Mount (RT-1471) Transponder	 2 1 1 1
RADAR WARNING AN/APR-39) consisting of AS-2890/APR-39) AS-2891/APR-39(V) AS-2892/APR-39( C-9326/APR-39M CM440/APR-390 IP-1150/APR-39M R-1838/APR-39M	Radar Signal Detecting Set Blade Antenna Right Spiral Antenna Left Spiral Antenna Control comparator Indicator Receiver	 1 2 2 31 1 31 2
ATHS CP-1516IASQ	Peripheral Interface Unit (ATHS)	1
CONTROL/DISPLAY 406-947-307 consisting of 8001671-901 8500056 8500088-901 8500233-901	Control Display Sys (CDS) Indicator Ass'y Key Board Ass'y Master Controller Processor Unit Remote Freq. Display	 2 1 2 1
POWER SOURCES 406-075-802-101 406-075-807-101 BB-558IA(406-075-806-101)	Static Inverter Battery Charger Battery	 1 1
MISCELLANEOUS 405-077-802-101 40-074-015-101 406-377-003-101	Transducer Power Supply Video Tape Recorder	 1 1

**FUNCTION**

<b>TYPE NUMBER</b>	<b>NOMENCLATURE</b>	<b>OH-58D</b>
56B3C	Temperature Sensor	1
<b>DATA TRANSFER</b>		
MU-1004AA	Data Transfer Cartridge	1
MU-1 005/A	Data Transfer Receptacle	1

**NOTES:**

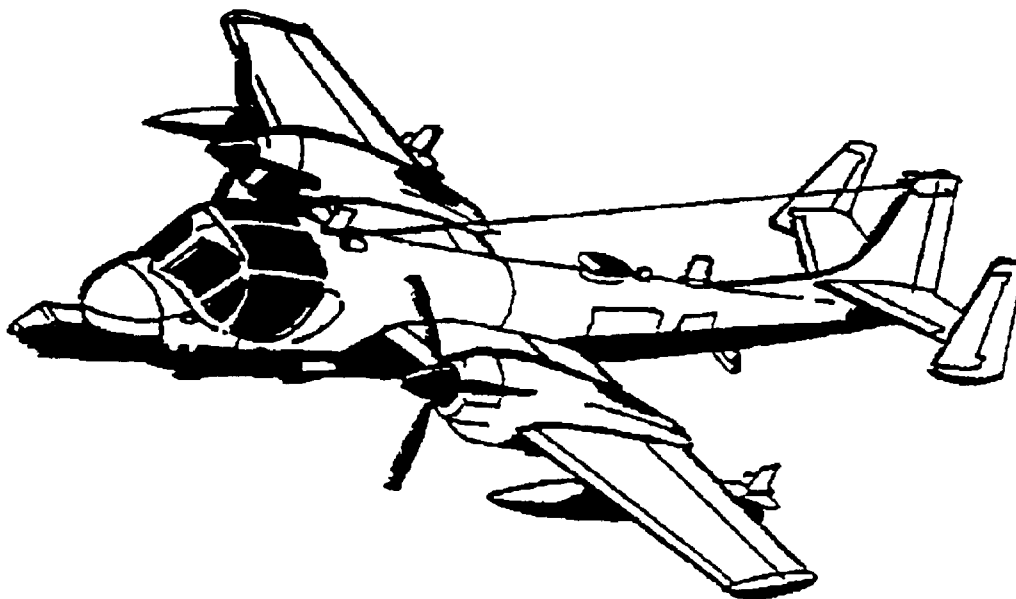
1. Replaced by SINCGARS RT-1478A/ARC-201.
2. One AN/ARC-199 will be installed in every third aircraft.
3. The C-9326/APR-39 and P-1150/APR-39 are modified to be blue/green NVG compatible.

**APPLICABLE AIRCRAFT AVIONICS MANUALS:**

TM 11-1520-248-23-1  
TM 11-1520-248-23-2  
TM 11-1520-248-23-3  
TM 11-1520-248-23P

**TOOLS AND TEST EQUIPMENT REQUIREMENTS FOR:  
OH-58D HELICOPTER**

<b>MAINT. CAT.</b>	<b>NOMENCLATURE</b>	<b>NATIONAUNATO STOCK NUMBER</b>	<b>TOOL NO.</b>
<input type="radio"/>	Tool Kit Electronic Equipment	5180-00-064-5178	TK-101/G
<input type="radio"/>	Tool Kit Aircraft Mechanic	5180-00-323-4692	
<input type="radio"/>	Multimeter, Digital	6625-01-139-2512	
<input type="radio"/>	Platform, Maintenance	1730-00-269-8283	
<input type="radio"/>	Headset, Microphone	1730-00-269-8283	
<input type="radio"/>	APU		
<input type="radio"/>	Wattmeter	66 25-00-790-2746	
<input type="radio"/>	Radio Set	5820-00-930-3724	AN/PRC-77
<input type="radio"/>	Test Set, Transponder	6625-00-134-1533	AN/APM-378
<input type="radio"/>	Load, 50 Ohm		
<input type="radio"/>	Computer		KIR-1A
<input type="radio"/>	Adapter, Coaxial		UG-201 A/U
<input type="radio"/>	Connector Kit		BT-110
<input type="radio"/>	Cable Assembly, Ground Crew ICS		
<input type="radio"/>	Radar Signal Simulator		SM674
<input type="radio"/>	Fill Device		MX-10579
<input type="radio"/>	Fill Device		MX-18290
<input type="radio"/>	Radar Signal Simulator		SM-756
<input type="radio"/>	Fill Cable		
<input type="radio"/>	Adapter kit Bird		4240400
<input type="radio"/>	Data Transfer Cartridge		
<input type="radio"/>	Goggles, Industrial	4240-00-052-3776	
<input type="radio"/>	Ohmmeter	6625-01-280-3824	
<input type="radio"/>	Pliers, Conduit	5120-00-595-9445	
<input type="radio"/>	Tool Kit, Tech Inspector	5108-00-323-5114	
<input type="radio"/>	Test Set, Transponder	6625-01-152-6705	AN/APM-424(V)2



MOHAWK OV-1 D( )/RV-1 D  
- AVIONICS CONFIGURATION -  
NSN: 1510-00-869-3654  
EIC: SOC  
NSN: 1510-00-368-8440  
EIC: SOD

The following configuration depicts a typically configured OV-1 D( )/RV-1 D. The actual configuration may vary depending on peculiar geographic requirements or changes incorporated through MWO action and special purpose alteration.

FUNCTION			OV-1B	OV-1C	OVC-1D	RV-1D
TYPE NUMBER	NOMENCLATURE					
INTERCOM						
C-1611( )AIC	Intercom Control		2	2		
C-6533ARC	Intercom Control				2	2
UHF/AM RADIO						
AN/ARC-51BX consisting of:	Radio Set					
C-6287/ARC-51 BX	Control		1	1	1	1
HD-615/ARC-51X	Cooler		1	1	1	1
ID-1003/ARC	SWR Indicator		1	1	1	1
MT-2653/ARC	Mount		1	1	1	1
RT-742( )/ARC	Receiver-Transmitter		1	1	1	1
RT-1167/ARC-164(	Radio Set			1	1	
AT-1 108/ARC	VHF/UHF Antenna		1	1	1	1
VHF/WAM RADIO						
AN/ARC-134 consisting of	Radio Set					
C-7197/ARC-134	Control		1	1		
MT-3791( )ARC-134	Mount		1	1		
RT-857/ARC-134	Receiver-Transmitter		1	1		
AN/ARC-115( )	Radio Set				1	1
AT-1108/ARC	VHF/UHF Antenna		1	1	1	1

FUNCTION			OV-1B	OV-1C	OV-1D	RV-1D
TYPE NUMBER	NOMENCLATURE					
<b>VHF/FM RADIO</b>						
ANARC-54 consisting of	Radio Set					
C-3835/ARC-54	Control		1	1		
MT-1535/ARC-54	Mount		1	1		
RT-348ARC-54	Receiver-Transmitter		1	1		
ANARC-131 consisting of:	Radio Set					
C-7088/ARC-131	Control		1	1		
MT-3664/ARC-131	Mount		1	1		
RT-823/ARC-131	Receiver-Transmitter		1	1		
AN/ARC-114( )	Radio Set(#1 FM)				1	1
AN/ARC-114()	Radio Set (#2 FM)				1	
AS-17031ARC-54	FM Comm Antenna		1	1		
CU-942( )/ARC-54	FM Antenna Coupler		1	1		
AS-2042/ARC	FM Homing Antenna		1	1	1	1
134SCAV247	FM Comm Antenna (#1 FM)				1	1
134SCAV247	FM Comm Antenna (#2 FM)				1	
<b>HF RADIO</b>						
ANARC-102 consisting of	Radio Set					
C-3940/ARC-94	Control		1	1	1	1
PP-3702/ARC-102	Inverter Mounting		1	1	1	1
RT-698/ARC-102	Receiver-Transmitter		1	1	1	1
CU-1658( )/A	HF Antenna Coupler		1	1	1	1
MT-3772/A	Mount (CU-1658)		1	1	1	1
1908-01	Lightning Arrester		1	1	1	1
134AV45511-1	HF Antenna		1	1	1	1
<b>SECURE VOICE</b>						
MD-736/A	Signal Discriminator		1	1		
MT-3802/ARC	Mount		1	1	1	1
C-8157/ARC	Control Indicator				1	1
<b>ATTITUDE HEADING</b>						
ANASN-76 consisting of	Attitude Heading Reference Set					
AM-4862/ASN-76	Electronic Control Am r		1	1	1	
C-8099/ASN-76	Controller		1	1	1	1
CN-1 151/ASN-76	Displacement Gym		1	1	1	1
MT-3870/A	Mount		1	1	1	1
DT-173/AJN consisting of	Magnetic Azimuth Director					
CN-1072/AJN	Compensator		1	1	1	1
DT-309/AJN	Detector (Flux Value)		1	1	1	1
DT-376/ASN	Detector (Flux Value)		1	1	1	1
<b>INTEGRATED FLIGHT DIRECTOR</b>						
AN/ASN-3	Navigation Computer Set					
AM-2853/ASN	Amplifier		1	1	1	1
CP-583/ASN	Computer		1	1	1	1
ID-882/ASN	Attitude-Nav Indicator (Horizontal)		1	1	1	1
ID-883/ASN	Course Indicator		1	1	1	1
MT-2416/ASN	Mount (AM-2853, CP-853)		1	1	1	1
CU-865/ASN	Indicator Coupler		1	1		
MT-2417/ASN	Mount (CU-865)		1	1		
<b>ADF</b>						
AN/ARN-9 consisting of:	Direction Finder Set					

FUNCTION	TYPE NUMBER	NOMENCLATURE	OV-1B	OV-1C	OV-1D	RV-1D
	AT-780/ARN	Loop Antenna	1			
	C-2275/RN	Control	1	1		
	DY-1 50/ARN	Dinamotor	1	1		
	MT-2018/ARN	Mount (R-836)	1	1		
	MT-2019/ARN	Mount (DY-150)	1	1		
	R-836/ARN	Receiver	1	1		
	134AV25518-1	Sense Antenna	1	1	1	1
	ANIARN-83 consisting of	Direction Finder Set				
	AS-1863/ARN-83	Loop Antenna		1		
	C-6899/ARN-83	Control		1		
	MT-3605/ARN-83	Mount		1		
	R-1391/ARN-83	Receiver		1		
	ANARN-89( ) consisting of	Direction Finder Set				
	AM4859( )/ARN-89	Amplifier			1	1
	AS-2108( )/ARN-89	Loop Antenna			1	1
	C-7392( )/ARN-89	Control			1	1
	R-1496()/ARN-89	Receiver			1	1
<b>VOR</b>						
	AN/ARN-30E consisting of:	Receiving Set (VOR)				
	C-3436/ARN-30E	Control	1	1		
	CV-265A/RN-30A	Converter	1	1		
	MT-1174/ARN-30A	Mount (R-1021)	1	1		
	MT-1175/ARN-30A	Mount (CV-265)	1	1		
	PP-2792/ARN-30D	Receiver	1	1		
	R-1021ARN-30D	Receiver	1	1		
	134CS30103-1	VOR Antenna	1	1	1	1
	AN/ARN-82( ) consisting of:	Receiving Set (VOR)				
	C-6873B/ARN-82	Control		1	1	1
	MT-3600/ARN-82	Mount		1	1	1
	R-1388( )/ARN-82	Receiver		1	1	1
<b>MB/GS</b>						
	R-844( )/ARN-58	Radio Receiver (MB/GS)	1	1	1	1
	AT-134A/RN	MB Antenna	1	1	1	1
	134AV25508-1	MB Antenna	1	1	1	1
	134AV35003-1	GS Antenna	1	1		
	AT-326/ARN	GS Antenna		1	1	1
	R-1963/ARN	Radio Receiver (MB/GS)			1	1
	MT-835/ARN	Mount (R-1963)			1	1
<b>TACAN</b>						
	AN/ARN-103(V)1 consisting of:	Navigation Set (TACAN)				
	C-8968/ARN-103(V)	Control	1	1	1	
	CV-2924(P)ARN-103(	Signal Data Converter	1	1	1	1
	MT-4411/ARN-103(V)	Mounting	1	1	1	1
	RT-1057/ARN-103	Receiver-Transmitter	1	1	1	1
	AT-741( )/A	Antenna	2	2	2	2
	SA-521IA	Antenna Transfer Switch	1	1	1	1
	MT-1 995/A	Mount (SA-521)	1	1	1	1
<b>DOPPLER NAVIGATION</b>						
	ANIASN44 consisting of:	Doppler Navigation Set				
	AN/APN-168( ) consisting of	Radar Navigation Set				
	AS-1766/( )/ASN-168	Antenna	1	1		



FUNCTION						
TYPE NUMBER	NOMENCLATURE	OV-1B	OV-1C	OV-1D	RV-1D	
CW-854/APN-168	Radome	1	1			
MT-3435/APN-168	Mount (OA-7400)	1	1			
MT-3436/APN-168	Mount (OA-7401)	1	1			
OA-7400/APN-168	Frequency Tracker	1	1			
OA-7401/APN-168	Receiver-Transmitter	1				
AN/AYA-3 consisting of:	Doppler Computer Group					
C-586( )/AYA-3	Control Indicator	1	1			
ID-1282( )/AYA-3	Velocity-Steering Indicator	1	1			
MT-2551 AYA-3	Mount (OA-7432)	1	1			
OA-7432( )/AYA-3	Computer	1	1			
T-992/A	True Airspeed Transmitter	1	1			
<b>INERTIAL NAVIGATION</b>						
AN/ASN-86 consisting of:	Inertial Navigation Set					
CP-941ASN-86	Navigation Computer			1	1	
ID-1579/ASN-86	Control-indicator			1	1	
MT447/ASN-86	Mount (MX-8123)			1	1	
MT4075/ASN-86	Mount (CP-941)			1	1	
MX-8123ASN-86	Gyro Stabilized Platform			1	1	
T-992/A	True Airspeed Transmitter			1	1	
<b>RADAR AL PMETER</b>						
ANAPN-22 consisting of:	Radar Altimeter Set					
AM-291APN-22	Electronic Control Amplifier	1				
CY-1409A/PN-22	Receiver-Transmitter Housing	1	1			
ID-257/APN-22	Height Indicator	1	1			
MT803/APN-22	Mount	1	1			
RT-1 60/APN-22	Receiver-Transmitter	1	1			
ANAPN-171A(V)1 consisting of:	Radar Altimeter Set					
AS-1858/PN-171M()	Antenna		2	2	2	
F-1263/APN-171A(V)	Band Suppression Filter		1	1	1	
ID-1345AAPN-171(V)	Height Indicator		1	1	1	
MT4167APN-171(V)	Mount		1	1	1	
RT-804AAPN-171(V)	Receiver-Transmitter		1	1	1	
<b>IDENTIFICATION</b>						
AN/APX-72 consisting of	Transponder Set					
C-6280A(P)APX	Control	1	1	1	1	
MT-3809/APX-72	Mount	1	1	1	1	
RT-859( )/APX-72	Transponder	1	1	1	1	
TS-1843( )APX	Test Set	1	1	1	1	
MT-3513/APX	Mount (TS-1843)	1	1	1	1	
KIT-1ATSEC	IFF Computer	1	1	1	1	
MT3949AU	Mount (KIT-1A)	1	1	1	1	
AT-741( )/A	Antenna	2	2	2	2	
<b>AUTO PILOT</b>						
ANASW-12(V)2 consisting of	Automatic Flight Control System					
C-3106()/ASW-12(V)	Auto Pilot Attitude Control	1	1	1	1	
C-3107()/ASA <sup>W-12</sup>	Auto Pilot Flight Controller	1	1	1	1	
C-3108( )/ASW-12	Attitude Reference Control	1	1	1	1	
CN-601( )/ASW-12(V)	Displacement Gyro	1	1	1	1	
CU-792ASW-12	Navigation Coupler	1	1	1	1	
MX-2916( )ASW-12(V)	Accelerometer	1	1	1	1	
MX-2917/ASW	Calibration Unit	1	1	1	1	

FUNCTION TYPE NUMBER	NOMENCLATURE	OV-1B	OV-1C	OV-1D	RV-1D
MX-2918/ASW-12(V)	Calibration Unit	1	1	1	1
MX-2919/ASW-12(V)	Calibration Unit	1	1	1	1
TG-78()/ASW-12	Actuator	2	2	2	2
TG-80( )ASW-12)	Actuator	1	1	1	1
TG-81( )/ASW-12	Actuator	11	1	1	
<b>PHOTOGRAPHIC</b>					
KS61A consisting of:	Photographic Surveillance System				
KA-30A consisting of	Still Picture Camera				
LA-131A	Lens Cone	1	1		
LA-134A	Camera Body Drive	1	1		
LA-135	Film Cassette Magazine (2 ea)	2	2		
LA-138A	Lens Cone Case	1	1		
LA-139A	Camera Equipment Case	1	1		
LA-136A consisting of	Lens Cone Group				
LA- 30A	Lens Cone	1	1		
LA-137A	Lens Cone Case	1	1		
LS-38A consisting of	Photographic Control System				
LA-96A	Altitude Speed Ratio Detector	1	1		
LA-152A	Power Supply Control	1	1		
LA-153A	Camera Mount Control	1	1		
LA-154A	Camera Exposure Control	1	1		
LA-155A	Flare Reset Control	1	1		
LA-156A	Master Camera Control	1	1		
LA-157A	Photoflash Detector		1		
LA-158A	Cartridge Ejector	1	1		
LA-159A	Cartridge Ejector	1	1		
LA-160A	Camera Mount	1	1		
LA- 61A	Light Monitoring Sensor	1	1		
LA-162A	Oblique Sight (Left)	1	1		
LA-163A	Oblique Sight (Right)	1	1		
LA-176A	Altitude-Speed Ratio Converter		1		
LA-177A	Attitude-Speed Ratio Coupler	1	1		
LA-178A	Flight Line Tracker		1		
KS-104A consisting of	Photographic Surveillance System				
KA-76A consisting of:	Still Picture Camera				
LA-373A	Camera Body Drive			1	
LA-374A	Camera Lens Cone		1		
LA-375A	Photographic Shutter		1		
LA-407A	Light Sensor		1		
LA-414A	Film Cassette Magazine		2		
LS-59A consisting of	Flasher System				
LA-59A	Carrying Cradle		1		
LA-388	Pod Assembly		1		
LA-389A	Carrying Case			1	
LA-390A	Cable Assembly		1		
LA-391A	Cover Assembly		1		
LA-392	Turbine Cover Assembly		1		
LA-394A	Control Box Assembly		1		
LS-9IA consisting of:	Photographic Control System				
LA-96A	Altitude-Speed Ratio Detector				
LA-162A	Oblique Sight (Left)		1		
LA-163A	Oblique Sight (Right)		1		

FUNCTION TYPE NUMBER	NOMENCLATURE	OV-1B	OV-1C	OV-1D	RV-1D
LA-176A	Attitude-Speed Ratio Converter	1 1			
LA178A	Flight Line Tracker			1	
LA405A	Camera Control		1		
LA-406A	Power Supply Control		1		
LA407A	Light Sensor		1		
LA-08A	Camera Mount		1		
LA-09A	Actuator			1	
KS-104B consisting of.	Photographic Surveillance System				
KA-76A consisting of:	Still Picture Camera				
LA-373A	Camera Body Drive		1		
LA-374A	Lens Cone			1	
LA-375A	Photographic Shutter			1	
LA-407A	Light Sensor	1			
LA-414A	Film Cassette Magazine	2			
LS-59A consisting of:	Photograph Flasher Sys				
LA-359A	Carrying Cradle	1			
LA388A	Pod Assembly	1			
LA-389A	Carrying Case				
LA-390A	Cable Assembly	1			
LA-391A	Cover Assembly	1			
LA-392A	Turbine Cover Assembly	1			
LA-394A	Control Box Assembly	1			
LS-91B consisting of	Photographic Control Sys				
LA-96A	Altitude-Speed Ratio Detector	1			
LA-162A	Oblique Sight (Left)			1	
LA-163A	Oblique Sight (Right)	1			
LA-176A	Attitude-Speed Ratio Converter	1			
LA-178A	Flight Line Tracker	1			
LA05B	Camera Master Control				
LA-06A	Power Supply Control	1			
LA-407A	Light Sensor			3	
LA08B	Camera Mount		1		
LA-409A	Actuator Assembly		1		
KAI60C consisting of	Still Picture Camera				
LA410A	Film Magazine		1	1	
LA111A	Camera Body Drive		1	1	
LA-412A	Camera Control		1		
LA-413A	Camera Control Panel		1	1	
KS-1 13A consisting of	Photographic Surveillance System				
KA-76A consisting of:	Still Picture Camera				
LA-373A	Camera Body Drive		1		
LA-374A	Camera Lens Cone		1		
LA-375A	Photograph Shutter		1		
LA-414A	Film Cassette Magazine			2	
LA-370A	Lens Cone			1	
LA-371A	Lens Cone			1	
LA-372A	Lens Cone			1	
LA-434A	Code Matrix Block Recorder			1	
LS-59A consisting of	Photographic Flasher Sys				
LA-388A	Pod Assembly			1	
LA-390A	Cable Assembly			1	
LA-394A	Control Box Assembly			1	

FUNCTION TYPE NUMBER	NOMENCLATURE	OV-1B	OV-1C	OV-1D	RV-1D
LS-92A consisting of	Photographic Control Sys				
C-8340/A	Altitude-Speed Ratio Control			1	
LA-162A	Oblique Sight (Left)		1		
LA-163	Oblique Sight (Right)			1	
LA-178A	Flight Line Tracker		1		
LA-406A	Power Supply Control			1	
LA-407A	Light Sensor		1		
LA-408B	Camera Mount			1	
LA-409A	Actuator Assembly		1		
LA-432A	Camera Master Control			1	
<b>INFRARED SURVEILLANCE</b>					
ANAAS-14A consisting of:	Infrared Detecting Set				
OA-7825/AAS-14A consisting of	Control				
C-6822/AAS-14A	Control		1		
CX-11271/AAS-14A	Cable Assembly		1		
CX-11272/AAS-14A	Cable Assembly		1		
CY-4815/AAS-14A	Equipment Cabinet		1		
ID-807/U	Calibration Indicator		1		
IP-808/U Terrain Display Indicator			2		
SB-2649/AAS-14A	Switch Control Panel		1		
OA-7827/AAS-14A consisting of	Receiver Group				
CN-770/AAS-14	Displacement Gyro		1		
R-1386/AAS-14	Receiver		1		
AN/USA-23 consisting of	Recorder Group				
CY-4811/U	Magazine Case		2		
MA-18/U	Film Magazine		2		
MT-7186/USA-23	Recorder Subassembly		1		
PP-4478/AAS-14A	Power Supply		1		
MT-3582/AAS-14	Mount (PP-4478)		1		
AM-4464/AAS-14A	Preamplifier her		2		
CV-2052/AAS-14A	Signal Data Converter		1		
HD-723/AAS-14A	Cryogenic Refrigerator		1		
MK-898/AAS-14A	Optical Filter Kit		1		
MT-3610/AAS-14A	Mount (HD-723)		1		
MT4105/AAS-14A	Mount (CV-2052)		1		
AN/AAS-24 consisting of	Infrared Detecting Set				
CV-2666/AAS-24	Video Converter			1	
CY-6665AAS-24	Film Magazine Case			2	
HD-841/AAS-24	Rotary Compressor			1	
MX-8357/AAS-24	Detecting Set Subassembly			1	
MX-8358/AAS-24	Converter Subassembly			1	
MX-8359/AAS-24	Recorder Group Blanket			1	
OA-8511 AAS-24 consisting of:	Recorder Group				
MA-26/AAS-24	Film Magazine			2	
MX-8356/AAS-24	Recorder Subassembly			1	
OK-138/AAS-24 consisting of:					
OK-149/AAS-24 consisting of	Terrain Display/Control Group				
C-8182/AAS-24	Receiver Control			1	
C-8183/AAS-24	Velocity One Height Control			1	
C-8180/AAS-24	Indicator Control			1	
IP-970/AAS-24	Terrain Indicator			1	

FUNCTION						
TYPE NUMBER	NOMENCLATURE	OV-1B	OV-1C	OV-1D	RV-1D	
OK-150/AAS-24 consisting of	Calibration Display/Control Group					
IP-969/AAS-24						
C-8181/AAS-24	Built In Test Control			1		
CY-6606/AAS-24	Equipment Cabinet			1		
MT4156/AAS	Mount			1		
PP4270/AAS-24				1		
R-1615/AAS-24	Infrared Receiver			1		
MT4157/AAS-24	Mount (MX-8357, PP4240)			1		
MT4158/AAS-24	Mount (MX-8358)			1		
MTJ159/AAS-24	Mount (CV-2666)			1		
134F80332-1	Mount (R-1615)			1		
<b>RADAR SURVEILLANCE</b>						
AN/APS-94C consisting of	Radar Surveillance Set					
AS-1048/APS-94	Antenna Assembly	1				
C-2996/APS-24	Radar Set Control	1				
C-2997/APS-94	Recorder Control	1				
CM-145( )/APS-94	Signal	1				
IP-516( )/APS-94	Radar Target Indicator	1				
IP-517( )/APS-94	Video Signal Monitor	1				
J-1098C/APS-94	Interconnection Box	1				
PP-2404( )/APS-94	Power Supply	1				
RD-166( )/UP	Radar Mapping Recorder	1				
RT-530/APS-94	Receiver-Transmitter	1				
SN-257NAPS-94	Synchronizer	1				
AN/APS-94D consisting of:	Radar Surveillance Set					
AS-2199/APS-94D	Antenna			1		
C-7645/APS-94D	Radar SetControl			1		
CM-374/APS-94D	Radar Signal Processor			1		
IP-923/APS-94D	Radar Target Indicator			1		
J-2794/APS-94D	Interconnecting Box			1		
MT4015/APS-94	Equipment Rack			1		
RO-352/APS-94D	Recorder-Processor-Viewer			1		
RT-899/APS-94D	Receiver-Transmitter			1		
SG-794/APS-94D	Sweep Generator			1		
AN/APS-94F consisting of	Radar Surveillance Set					
AS-3322/APS-94F	Antenna			1		
C-7645/APS-94D	Radar Set Control			1		
CM-81/APS-94F	Signal Processor			1		
HD-1067IAPS-94F	Pressurization Set			1		
J-2794AAPS-94D	Interconnecting Box			1		
MT4015/APS-94D	Equipment Rack			1		
PP-7508/APS-94F	Power Supply Mount			1		
RO495/U	Recorder-Processor-Viewer			1		
RT-1283/APS-94F	Receiver-Transmitter			1		
SG-1127/APS-94E	Sweep Generator			1		
<b>DATA LINK</b>						
AN/ART-41A	Transmitter		1			
MT-2530/A	Mount		1			
ANAKT-18 consisting of:	Radar Data Transmitter Set					
C-6598AR	Control	1				
CV-2094/A	Signal Data Converter	1				
KY-565AKT-18	Video Encoder	1				

FUNCTION	NOMENCLATURE	OV-1B	OV-1C	OV-1D	RV-1D
TYPE NUMBER					
MT-2653/ARC	Mount (T-991)	1			
MT-3448/AKT-18	Mount (KY-565)	1			
MT-3617/A	Mount (CV-2094)	1			
SB-2471/AKT-18	Power Distribution Panel	1			
T-991/AR	Transmitter	1			
ANKT-18A consisting of Radar Data Transmitting Set					
C4598AR	Control			1	
C-9963/AKT-18A	Control			1	
KU-565AAKT-18	Video Encoder			1	
MT-2653/ARC	Mount (T-001)			1	
MT-3448/AKT-18	Mount (LY-565A)			1	
MT-4792/AKT-1 8A	Mount (PD-7255)				
MT4793/AKT-18A	Mount (-2794)			1	
PP-7255KT-18A	Power Supply-Synchronizer				
T-991AR	Transmitter				
ANI AKT-18B consisting of Radar Data Transmitting Set					
AN/ARC-164(V)12 consisting of Radio Set				1	
C-10547ARC-164M	Control			1	
MT4017/ARC-164M	Mount			1	
RT-1288ARC-164(V)	Receiver-Transmitter				
C-10546/AKT-18B	Control				
KY-865/AKT-18B	Video Encoder			1	
MT6016/AKT-18B	Mount			1	
AT50/ARC	Data Antenna	1	1	1	1
ANUSQ61 consisting of: Digital Data Set					
ANART-41A	Transmitter				1
MT-2530/A	Mount				1
MD-939/USQ-61	Digital Modem				1
MT-4902/USQ-61	Mount				1
MT-4903/USQ61	Mount				1
MT-4904/USQ61	Mount (TSEC/KG)				1
PP-7036/USQ61	Power Supply				1
R-2057/USQ-61	Radio Receiver				1
SA-2056/USQ61	Transmit-Receive Switch				1
TSEC/KG-354	Key Generator				1
AN/USQ1A consisting of: Digital Data Set					
ANIARC-164()12 consisting of Radio Set					
C-10547/ARC-164(V)	Control				1
MT6017ARC-164(V)	Mount				1
RT-1288/ARC-164(	Receiver-Transmitter				1
MT-4903/USQ-61	Mount (PP-7652)				1
MT-4904/USQ-61	Mount (TSEC/KG)				1
PP-7652/USQ-61A	Power Supply				1
MD-1102/USQ1	Digital Modem				1
TSEC/KG-()	Key Generator				1
AT-256/ARC	Data Antenna				1
<hr/>					
DATA ANNOTATION					
ANAYA-10 consisting of Data Annotation System					
C-8338/AYA-10	Control-Monitor			1	
CV-2647AYA-10	Signal Data Converter			1	
MT-4539/AYA-10	Mount			1	
IP-1080/AYA	Digital Indicator			2	

FUNCTION	NOMENCLATURE	OV-1B	OV-1C	OV-1D	RV-1D
TYPE NUMBER					
TR-253/AYA	Altitude Transducer			1	
AERIAL RADIAC					
AN/ADR-6 consisting of:	Aerial Radiac Set			1	
C-8163ADR-	Control/Alarm Panel			1	
C-854/ADR-6	Computer/Power Supply			1	
DT-322/ADR-6	Detector			1	
ID-1581/ADR-6	Indicator			1	
RO-301/ADR	Recorder			1	
RADAR WARFMNG					
ANALR46( consisting of	Radar Signal Detecting Set			1	1
AM-6639/ALR-46(V)	Amplifier-Detector (4 ea)				
CM-442/ALR-46(V)	Signal Processor			1	1
ID-1902/ALR-6(V)	Control-indicator			1	1
IP-957/APR-36(V)	Azimuth Indicator			1	1
R-1 854/ALR-46)	Receiver			1	1
AST-1503A	Spiral Antenna (4 ea)			1	1
21-036312-OIA	Blade Antenna			1	1
ANAPR-39()( ) consisting of:	Radar Signal Detecting Set				
AS-2890/PR-39(V)	Blade Antenna			1	1
AS-28911APR-390	Right Spiral Antenna (2 ea)			1	1
AS-2892/APR-39	Left Spiral Antenna (2 ea)			1	1
C-9326/APR-39 )	Control			1	1
C-104112/APR-39)	Control			1	1
CM440/APR-39()	Comparator			1	1
CM-480/APR-39(V)	Comparator			1	1
IP- 1501APR-39	Indicator			1	1
R- <sup>1838</sup> /APR- <sup>39</sup> )	Receiver (2 ea)			1	1
ES-D-221604	Mount (CM-440.480)			1	1
ANAPR-44M3 consisting of	Radar Signal Detecting Set				
AS-3266/APR44	Antenna (4 ea)			1	1
C-10387/APR-44V)	Control			1	1
F-1503APR-4(V)	Low Pass Filer			1	1
R-2097/APR-44	Receiver			1	1
R-2098/APR-44	Receiver			1	1
PROP SYNCHROPHASER					
ANJA-5 consisting of:	Propeller Synchrophaser Set				
SN-324AJA-5	Synchrophaser	1	1	1	1
MT-2695/AJA-5	Mount	1	1	1	1
550512	Speed Bial Assembly	2	2	2	2
COUNTERMEASURES					
ANALQ-147AO) consisting of	Countermeasures Set				
C-10698ALQ-147A(V)	Control Unit			1	
MD-1074/ALQ-147AM	Modulator Assembly			1	
T-1407ALQ-147AM	Transmitter Assembly			1	
ANALQ-147A(V)2 consisting of	Countermeasures Set				
C-10698ALQ-147A(V)	Control Unit				1
MD-1074ALO-147A(V)	Modulator Assembly				1
T-1408ALQ-147(	Transmitter Assembly				1
ANALQ-133 consisting of	Countermeasures Receiving Set				
OK-270/ALQ-133 consisting of:	Quantizer-Control Group				
AWUYK-23	Computer				2
BB-507/U	Battery				2

FUNCTION		OV-1B	OV-1C	OV-1D	RV-1D
TYPE NUMBER	NOMENCLATURE				
C-9537/ALQ-133	Monitor Controller				1
C-9538/ALQ-133	Control-indicator				1
CU-2104/ALQ-133	Power Divider				2
O-1672/ALQ-133	Frequency Synthesizer				2
PP-7035/ALQ-133	Power Supply				1
MS91405-C2D	Mount (C-9537)				1
MS91405-BIC	Mount (O-1672)				2
MS91405-C2D	Mount (PP-7035)				1
MS91405-B1 D2	Mount (AN/UYK-23)				2
OR-1401/ALQ-133 consisting of	Intercept Receiver Group (2 ea)				
AS-2994/ALQ-133	Spiral Antenna				4
C-9536/ALQ-133	Power Supply Control				1
CM446/ALQ-133	Phase Comparator				1
CM-47/ALQ-133	Signal Comparator				
CV-3171/ALQ-133	Converter-Processor				1
CV-3174/ALQ-133	Frequency Converter				2
CV-3395/ALQ-133	Converter-Processor Group				1
CV-3396/ALQ-133	Converter-Processor Group				1
CY-7410/ALQ-133	Intercept Receiver Pod				2
<b>POWER SOURCES</b>					
OK-279/A consisting of:	Voltage Controller Group				
BB-708/U	Battery			1	1
C-9609/A	Voltage Controller			1	1
ID-1979/A	Control-indicator			1	1
MT-4685/A	Mount			1	1
BB433( )/A	Batter	1	1	1	1
PU-544( )/A	Inverter	1	2	1	1
PU-545( )/A	Inverter	1	1	1	1
PU-750( )/A	Inverter			1	1
<b>MISCELLANEOUS</b>					
ID-250( )/ARN	Radio Magnetic Indicator	1	1		
ID-663( )/U	Bearing-Distance-Heading Indicator	1	1	1	1

**APPLICABLE AIRCRAFT AVIONICS MANUALS:**

- TM 11-1510-204-20/1 (Pertains to OV-1 B)
- TM 11-1510-204-20-1/1 (Pertains to OV-1C)
- TM 11-1510-204-20-1/2 (Pertains to OV-1C)
- TM 11-1510-204-20/2 (Pertains to OV-1B)
- TM 11-1510-204-20P-1 (Pertains to OV-1D)
- TM 11-1510204-20P-2 (Pertains to OV-1D)
- TM 11-1510-204-34-2-1 (Pertains to OV-1D)
- TM 11-1510-204-34-2-2 (Pertains OV-1 D)
- TM 11-1510-204-34P-1 (Pertains to OV-1D)
- TM 11-1510-204-34P-2 (Pertains to OV-1D)
- TM 11-1510-204-35-1 (Pertains to OV-1D)
- TM 11-1510-204-35/1 (Pertains to OV-1D)
- TM 11-1510-204-35/2 (Pertains to OV-1D)
- TM 11-1510-213-20-1 (Pertains to RV-1D)
- TM 11-1510-213-20-2 (Pertains to RV-1D)
- TM 11-1510-213-20P (Pertains to RV-1D)
- TM 11-1510-213-34 (Pertains to RV-1D)
- TM 11-1510-213-34P (Pertains to RV-1D)

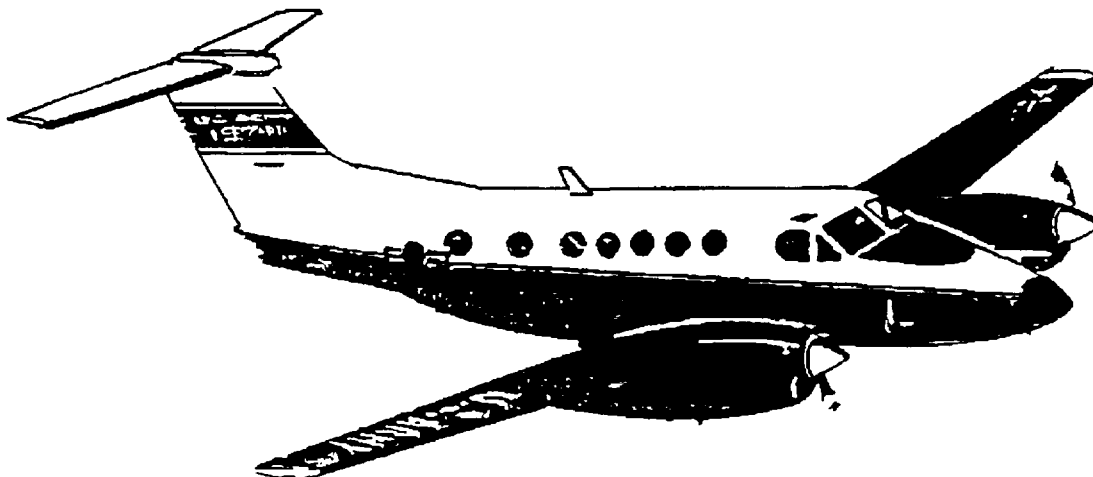


**TOOLS AND TEST EQUIPMENT REQUIREMENTS FOR:  
 OV-1( ) AIRCRAFT**

<b>MAINT. CAT.</b>	<b>NOMENCLATURE</b>	<b>NATIONAL STOCK NUMBER</b>	<b>TOOL NO.</b>
O	Tool Kit	5180-00-064-5178	TK-101/G
O	Multimeter	6625-00-581-2036	AN/URM-105
F,H,D	Multimeter (Note: Use TS-352B/U Until AN/USM-223 is Available)	6625-00-999-7465	AN/USM-223
F,H,D	Tool Kit	5180-00605-0079	TK-100/G
H,D	Multimeter	6625-00-46-9409	ME-26NU

TOOLS AND TEST EQUIPMENT REQUIREMENTS FOR:  
RV-ID AIRCRAFT

MAINT. CAT.	NOMENCLATURE	NATIONAL/NATO STOCK NUMBER	TOOL NO.
O	Tool Kit	5180-00-064-5178	TK-101/G
F	Tool Kit	5180-00610-8177	TK-105/G
F,H,D	Tool Kit	5180-00605-0079	TK-1 00/G
O,F,H,D	Multimeter	6625-00-999-7465	AN/USM-223 or
		6625-00-242-5023	TS-352B/U or TS-353B/U
O	Propeller Synchrophaser Test Set	1610-00-967-9651	AN/ASM-126
O	Test S Transponder	6625-00-948-0071	AN/APM-123A(V)
O	Radio Test Set		TS-8238/ARM-258
O,F,H,D	Wattmeter	6665-00-813-8430	AN/URM-120
O,F,H,D	Test Cables; 50 Ohms; RG-223/U (4 ft) used with Item 11, (25 ft) used with Item 13 and (50 t) used with Item 13.		
O,F,H,D	Generator, Signal	6625-00-888-8352	ANNRM-103()
O,F,H,D	Receiver Transmitter, Radio	5820-00-194-9929	RT-1961( )/PRC
O	VOR/LOC Signal Generator or VOR Ramp Tester, SG-13	6625-00-537-5727	SG-66/ARM-5 or SG-13
O	Carbon Microphone	5965-00-128-2512	T-178
O	Test Oscillator	6625-00-519-2408	BC-376()
O	Converter, Frequency Electronic	AN/ARM-69( )	
F	Test Facility Kit	6625-00-802-7191	MK-994/AR
O	AC Voltmeter	6625-00-669-0742	ME-30A/U
O	Pilot-Static Tester Used with Automatic Flight Control	MB-1	
F,H,D	Pulse Generator	6625-00-643-5969	AN/UPM-15
F,H,D	Oscilloscope AN/USM-281A with Dual Trace Plug	6625-00-228-2201	AN/USM-281A; PL1 186A/USM
O	Bomb Trailer		MK-7
O	Aero 14C Manual Bomb Hoist		RH1730-672-3981-S210
O	POD Carrier		V-474(XT-1)/ALM-153
O	Cover Assembly		134TEME-10055-1
O	Test Set Countermeasures Set	6625-00-631460	AN/ALM-166
O	Multimeter	6625-00-999-282	AN/URM-105C
O	Radar Simulator (Low-Band)		SM-568/APM-327
O	Radar Simulator (Mid-Band)		SM-583/APM-327A
O	Radar Simulator (High-Band)		SM-583/APM-327A
O	Radar Signal Simulator	6940-01-058-1066	SM-765/APR4(V)
O	Torque Wrench	5120-00-169-5776	T8438
O,F	Radar Simulator	6940-01-031-5887	SM-674/UPM



*HURON RC-12()*  
- AVIONICS CONFIGURATION -  
NSN: NONE  
EIC: NONE

The following configuration depicts a typically configured RC-12(). The actual configuration may vary depending on peculiar geographic requirements or changes incorporated through MWO action and special purpose alteration

<b>FUNCTION</b>		<b>219-10</b>	<b>221-10</b>	<b>222-10</b>
<b>TYPE NUMBER</b>	<b>NOMENCLATURE</b>	<b>D</b>	<b>H</b>	<b>K</b>
<b>COMMUNICATIONS</b>				
499-0099	Audio Control Panel			2
718 U-5	HF Command Set	1		
AN/ARC-164	UHF/AM Control Panel	1	1	1
AN/ARC-164	Voice Order Wire back-up	1	1	1
AN/ARC-186	VHF/AM/FM Command Set	1	1	
AN/ARC-201 (V)	SINCGARS			1
C-499	Audio Control Panel	2	2	
ELT-10	Emergency Locator Transmitter	1		
KCU-951	HF Control Panel		1	1
KHF-950	HF Communication Set		1	1
N/A	Marker Beacon Audio Control Panel		1	
N/A	Radio Control Panel	1		
NARCO 03716-0300	Emergency Locator Transmitter		1	1
VHF-20B	VHF/AM Communications	1	1	
VHF-22B	VHF Communications Transceiver			1
<b>NAVIGATION</b>				
332C-10 (RMI)	Radio Magnetic Indicator	2	2	
RMI-30	Radio Magnetic Indicator			2
331A-8G	Pilots Horizontal Situation Indicator	1		
RD-650B	Pilot's Horizontal Situation Indicator		1	1
331A-6P (HSI)	Co-Pilot's Horizontal Situation Indicator	1		
AD-550 (HSI)	Co-Pilot's Horizontal Situation Indicator		1	
RD-55OR (HSI)	Co-Pilot's Horizontal Situation Indicator			1
329B-9A	Horizon Reference Indicator	1		

FUNCTION		219-10	221-10	222-10
TYPE NUMBER	NOMENCLATURE	D	H	K
AD-650B	Pilot's Attitude Direction Indicator		1	1
329T-1	Pilot's Turn and Slip Indicator	1	1	1
GH-14	Co-Pilots Gyro Horizon Indicator	1		
GH-14B	Co-Pilot's Gyro Horizon Indicator		1	1
N/A	Gyro Magnetic Compass System	2	2	2
AL-800	Altitude Select Controller		1	1
RA-315	Radio Altimeter Indicator		1	1
VIR-30-AGM/AG	Dual NAV1-NAV2 Control Panel	2	2	
VIR-32	VHF Navigation Receiver			2
DF-203	Automatic Direction Finder	1	1	
ADF-60	Automatic Direction Finder			1
D-2218	Tactical Air Navigation (TACAN)	2		
<b>AVIONICS TACAN SYSTEM</b>				
AN/ARN-137(V)	Avionics TACAN System			
RT-1321	Receiver Transmitter	1	1	
CP-1398	Azimuth Computer	1		
ID-2218	Range Indicator	1		
C-11265	Control Panel	1		
SANS-706	TACAN Distance Indicator		1	
<b>INS TACAN SYSTEM (Inertial Navigation System)</b>				
AN/ARN-136(V)	INS TACAN System (Inertial Nav Sys)	1	1	
<b>AUTOMATIC FLIGHT CONTROL SYSTEM</b>				
AP-106	Automatic Flight Control System	1		
614E-42A	Auto-pilot Mode Selector Panel	1		
N/A	Aileron High Torque Test Switch and Annun	1		
N/A	Auto-pilot/Flight Director Annunciator Panel	1		
N/A	Auto-pilot Pitch-Turn Control Panel	1		
<b>INERTIAL NAVIGATION SYSTEM (INS)</b>				
C-IV-E	Mode Selector Unit	1	1	
7883470-011	Mode Selector Unit			1
C-IV-E	INS Control Display Unit	1	1	1
7564978-021	INS Control Display Unit			1
<b>WEATHER RADAR SET</b>				
AN/APN-215	Weather Radar Set	1	1	1
<b>TRANSPONDER SET</b>				
AN/APX-100	Transponder Set	1	1	1
<b>ALTIMETER</b>				
N/A	Pilot's Encoding Altimeter	1		
BA-141	Pilot's Altimeter Indicator		1	1
IDC-518	Co-Pilot's Encoding Altimeter		1	1
<b>GLOBAL POSITIONING SYSTEM</b>				
ASN-149(B)	Global Positioning System			1
GBU	Control Display Unit			1
N/A	Observer Headset and GPS Key Panel			1

**APPR ICABI F AIRCRAFT AVIONICS MANUALS:**

TM 55-1510-219-10

TM 55-1510-221-10

TM 55-1510-222-10

**TOOLS AND TEST EQUIPMENT REQUIREMENTS FOR:**  
**RC-12() - AIRCRAFT**

The RC-12 ( ) is fully contractor maintained.

**III-43**



*CREEK TH-67  
- AVIONICS CONFIGURATION -  
NSN NONE  
EIC NONE  
"FOR TRAINING PURPOSES ONLY"*

The following configuration depicts a typical configured TH-67. The actual configuration may vary depending on peculiar geographic requirements or changes incorporated through MWO action and special purpose alteration.

FUNCTION TYPE NUMBER	NOMENCLATURE	TH-67 VFR	TH-67 IFR
INTERCOM	Intercom	3	3
VHF NAV/COMM TRANSCEIVER KX-165	Radio Set	1	2
UHF COMM TRANSCEIVER KTR-09	Radio Set	1	1
ADF KR-87	Direction Finder Set		1
IFR MARKER BEACON RECEIVER KR-21	Receiving Set		2
FR LORAN-C KLN-88	Navigation Receiver		1
HSI KI-525A	Horizontal Situation Indicator	1	2
IFR RMI KNI-582	Radio Magnetic Indicator		2
TRANSPONDER KT-76A	Receiver transmitter	1	1

**APPLICABLE AIRCRAFT AVIONICS MANUALS:**

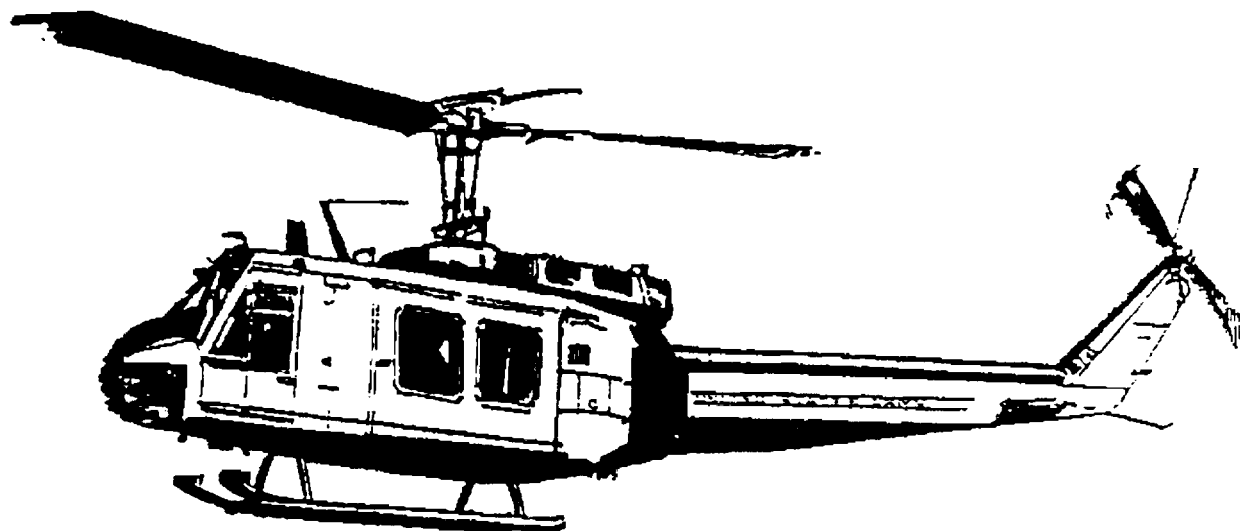
For training purposes only.

**TOOLS AND TEST EQUIPMENT REQUIREMENTS FOR:  
TH-67 - HELICOPTER**

The TH-67 s fully contractor maintained.

**III-45**





*UH-1( ) IROQUOIS  
- AVIONICS CONFIGURATION -  
NSN: 1520-00-859-2670 (UH-1D)  
EIC: N/A  
NSN: 1520-00-087-7637 (UH-1H)  
EIC: RUA  
NSN: 1520-01-043-4949 (UH-1V)  
EIC: RUE*

The following configuration depicts a typically configured UH-( ). The actual configuration may vary depending on peculiar geographic requirements or changes incorporated through MWO action and special purpose alteration.

<b>FUNCTION</b>	<b>TYPE NUMBER</b>	<b>NOMENCLATURE</b>	<b>UH-1D</b>	<b>UH-1H</b>	<b>UH-1V</b>
<b>INTERCOM</b>					
	C-161 1 ( )/AIC	Intercom Control	4	4	2
	C-6533/ARC	Intercom Control		4	
<b>UHF/AM RADIO</b>					
	AN/ARC-51BX consisting of:	Radio Set			
	C-6287/ARC-51BX	Control	1	1	
	HD-615/ARC-51X	Cooler	1	1	
	ID-1003/ARC	SWR Indicator	1	1	
	MT-2653/ARC	Mount	1	1	
	RT-742( )/ARC	Receiver-Transmitter	1	1	
	AT-1108/ARC	VHF/Antenna	1	1	1
	RT-11671ARC-164	Radio Set			1
<b>VHF/AM RADIO</b>					
	AN/ARC-73A consisting of	Radio Set			
	C4074/ARC-73A	Control	1	1	
	MT-2699/ARC-73	Mount	1	1	
	R-1123/ARC-73	Receiver	1	1	
	T-879/ARC-73	Transmitter	1	1	
	T-366/ARC	Transmitter	1	1	
	C-4209/ARC	Control	1	1	

<b>FUNCTON</b>	<b>TYPE NUMBER</b>	<b>NOMENCLATURE</b>	<b>UH-1D</b>	<b>UH-1H</b>	<b>UH-1V</b>
	MT-1142/ARC	Mount(366)	1	1	
	DY-86/ARN-30	Dynamotor	1	1	
	AN/ARC-1 34() consisting of:	Radio Set			
	C-7197/ARC-134	Control	1	1	
	MT-3791( )/ARC-134	Mount	1	1	
	RT-857/ARC-134	Transmitter	1	1	
	AN/ARC-115()	Radio Set	1	1	
	RT-1354/ARC186	Radio Set	1	1	1
	AT-1108/ARC	VHF/UHF Antenna	1	1	
<b>VHF/FM RADIO</b>					
	AN/ARC-54 consisting of:	Radio Set (#1 FM)			
	C-3835/ARC-54	Control	1		
	MT-1 535/ARC-54	Mount	1	1	
	RT-348/ARC-54	Receiver-Transmitter	1	1	
	AN/ARC-131 consisting of	Radio Set (#1 FM)			
	C-7088/ARC-131	Control	1	1	
	RT-823/ARC-131	Receiver-Transmitter	1	1	
	AN/ARC-114()	Radio Set (2 FM)	1	1	1
	AS-1703/AR	FM Comm Antenna	1	1	
	CU-942( )/ARC	FM Antenna Coupler	1	1	
	FM 10-30-1	FM Comm Antenna	1	1	1
	AS-3350/ARC	FM Homing Antenna (FH)			1
	AS-3351/ARC	FM Homing Antenna (LH)			1
<b>HF RADIO</b>					
	AN/ARC-102 consisting of:	Radio Set			
	C-3940/ARC	Control	1	1	1
	PP-3702/ARC-102	Inverter-Mounting	1	1	1
	RT-698/ARC-102	Receiver-Transmitter	1	1	1
	CU-991/AR	HF Antenna Coupler	1	1	1
	CU-1658( )/A	HF Antenna Coupler		1	1
	MT-1719/AR	Mount (CU-991)1	1	1	1
	MT-3772/A	Mount (CU-1658)		1	1
	205-706-027-1	HF Antenna1	1	1	1
<b>SECURE VOICE</b>					
	MD-736/A	Signal Discriminator4	4	4	4
	MD-1047/A	Audio Threshold Device		1	1
	MT-3802/ARC	Mount	1	1	1
	C-8157/ARC	Control-indicator	1	1	1
<b>GYRO COMPASS</b>					
	J-2 consisting of:	Gyro Compass Set			
	A-2	Amplifier	1	1	1
	CN-405/ASN	Compensator	1	1	1
	S-3()	Gyro Control	1	1	1
	T-611/ASN	Compass Transmitter	1	1	1
	AN/ASN-43 consisting of:	Gyro Compass Set			
	CN-405ASN	Compensator	1	1	1
	CN-998( )ASN	Directional Gyro	1	1	1
	T-611/ASN	Compass Transmitter	1	1	1

FUNCTION			UH-1D	UH-1H	UH-1V
TYPE NUMBER	NOMENCLATURE				
ADF					
AN/ARN-50 consisting of:	Direction Finder Set				
AT-780/ARN	Loop Antenna		1	1	
C-2275/ARN	Control		1		
DY-1 50/ARN	Dynamotor		1	1	
MT-2018/ARN	Mount (R-836)		1		
MT-2019/ARN	Mount (DY-150)		1	1	
R-836/ARN	Receiver		1	1	
AN/ARN-83 consisting of	Direction-Finder Set		1	1	
AS-1863/ARN-83	Loop Antenna		1	1	1
C-6899/ARN	Control		1	1	1
MT-3605/ARN-83	Mount		1	1	1
R-1391/ARN-83	Receiver		1	1	
205-075-325-1	ADF Sense Antenna		1	1	1
204-075-328-1	ADF Sense Antenna		1		
VOR/MG/GS					
AN/ARN-30E consisting of:	Receiving Set (VOR)				
C-3436A/ARN-30E	Control		1	1	
CV-265A/ARN-30A	Converter		1	1	
ID453/ARN-30	Course Indicator		1	1	
MT-1174/ARN-30	Mount (R-1021)		1	1	
MT-1175/ARN-30A	Mount (CV-265)		1	1	
P-2792/ARN-30D	Power Supply		1	1	
R-1021/ARN-30D	Receiver		1	1	
CV-1275/ARN	Converter		1	1	
MT-2659/ARN	Mount (CV-1275)		1	1	
AN/ARN-82( ) consisting of:	Receiving Set (VOR)				
C-6873B/ARN-82	Control		1		
ID-1347C/ARN-82	Course Indicator		1	1	1
MT-3600/ARN-82	Mount		1	1	
R-1388( )/ARN-82	Receiver		1		
AS-1304/ARN	VOR Antenna		1	1	1
R-1041( )/ARN	Radio Receiver (MB)		1	1	
MT-2292/ARN	Mount (R-1041)		1	1	
AT640( )/ARN	MB Antenna		1	1	
R-1963/ARN	Radio Receiver (MB/GS)		1		
MT-4835/ARN	Mount (R-1963)				
AN/ARN-123(V)3 consisting of:	Receiving Set (VOR/MG/GS)		1		
C-10048/ARN-123(V)	Control				1
MT-4980/ARN-123(V)	Mount				1
R-2023/ARN-123(V)	Receiver				1
AS-3188/ARN	GS Antenna		1		1
DME					
AN/ARN-124 consisting of:	DME Set				
ID-2192/ARN-124	Control Indicator				1
MT-6034/ARN-124	Mount				1
RT-1294/ARN-124	Receiver-Transmitter				1
AT-741( )/A	Antenna				1

FUNCTION					
TYPE NUMBER	NOMENCLATURE	UH-1D	UH-1H	UH-1V	
<b>RADAR ALUTMETER</b>					
ANAPR-209( V)( )	consisting of: Radar Altimeter Set				
AS-2595APN-194(V)	Antenna				1
ID-1917APN-209V)	Height Indicator				1
RT-1115( )APN-209(V)	Receiver-Transmitter-Height Indicator				1
<b>IDENTIFICATION</b>					
ANAPX-72	consisting of Transponder Set				
C-6280A(P)/APX	Control	1			
MT-3809/APX-72	Mount	1	1		
MT-859( )/APX-72	Transponder	1			
MT-3513APX	Mount (TS-1843)	1	1		
TS-1843( )/APX	Test	1	1		
AT884( )/APX	Antenna	1			
MT-3949A/U	Mount	1	1		
<b>ATTITUDE INDICATING</b>					
MD-1	Displacement Gyro	1			
MC-1	Rate Gyro	1			
<b>RADAR WARNING</b>					
AN/APR-39)1	consisting of: Radar Signal Detecting Set				
AS-28 90/APR-39	Blade Antenna		1		
AS-2891/APR-39V)	Right Spiral Antenna		1		
AS-2892/APR-39	Left Spiral		1		
C-9326APR39V)	Control		1		
CM-440/APR-39(	Comparator		1		
IP-1150/APR-39(V)	Indicator		1		
R-1 838/APR-39	Receiver		1		
<b>MISCELLANEOUS</b>					
AM-3209/ASN	Servoamplifier	1	1		
ID-250( )/ARN	Radio Magnetic Indicator	1	1		
ID-998ASN	Radio Magnetic Indicator	1	1		
PP-7618/U	Power Supply (5V)				2
<b>POWER SOURCES</b>					
BB433( )/A	Battery	1	1		
PU-543( )A	Motor Generator	2	2		

**NOTE:**

1. The AN/ARC-115 and RT-1354/ARC-186 are interchangeable; therefore, either may be installed but not both.

**APPLICABLE AIRCRAFT AVIONICS MANUALS:**

TM 11-1520-210-23  
TM 11-1520-210-23P

TOOLS AND TEST EQUIPMENT REQUIREMENTS FOR:  
UH-1H and UH-IV- HELICOPTER

MAINT. CAT.	NOMENCLATURE	NATIONA/NATO STOCK NUMBER	TOOL NO.
O	Multimeter	6625-00-9996282	AN/URM-105C
O	Tool Kit, Electronic Equipment	5180-00-064-5178	TK-101/G
O	. Test Set, Transponder	6625-00-948-0071	AN/ARM-123(V)1
F	Altimeter	6625-00-999-7465	AN/USM-223
F	Tool Kit, Electronic Equipment	5180-004050079	TK-100G
F	Tool Kit, Electronic Equipment	5180-006108177	TK-105/G
O	Simulator, Radar Signal	6940-01-031-5887	SM474PM
O	Wrench, Torque	5120-00-169-5776	T8438
O	Wattmeter	6625-00-813-8430	ANURM-120
O	Dummy Load	6625-00-177-1639	DA-75( )/U
O	Signal Generator	6625-00-534-5875	SG-13
O	Test Oscillator	6625-00-5194409	BC-376(H)
O	Modulator	6625-00-539-8563	
F	Test Facilities	4920-00-802-7191	MK-994/AR
F	Test Set	AN/URM-209	
F	50 OHM Load/30 DB ATTEN	5985-00-736-8025	8322
D	Power Supply 28VDC	4931-01-152-3209	HP6269B
F	Signal Generator	6625-00449-5193	AN/URM-25D
D	Spectrum Analyzer	6625-00411-3872	AN/UPM-84A
D	FM Generator	6625-00-566-3067	SG-1112(V1/U
D	Frequency Counter	7025-01-035-0316	TD-1225(V)1/U
F	Generator, Signal	6625-00-783-5965	AN/URM-127
F	Generator, Signal	6625-00-138-7773	ANASM-44C
F	Counter, Electronic	6625-00-044-3228	AN/USM-207A
F	Oscilloscope	6625-00-228-2201	AN/USM-281A
F	Multimeter	6625-00-913-9781	ME-26D/U
F	Maintenance Kit	6625-00-0824057	MK-731/ARC-51X
F	Meter, Output	6625-00-244-0501	TS-585C/U
F	Analyzer, Spectrum	6625-00-68-9418	TS-723D/ U
F	Test Set, Semiconductor	6625-00-1680954	TS-1836B/U
F	Test Set Electron Tube	6625-00-820-0064	TV-7D/U
F	Voltmeter, Digital	6625-00-022-7894	ANGSM4B
F	Attenuator Variable	CN-08U	
F	Headset	5965-00-892-3353	H216/U
F	Microphone, Carbon	5965-00-6464678	M-52IU
F	Maintenance Kit	5821-00-926-7292	MK-1004/ARC
F	Generator, Signal	6625-00-868-8352	AN/URM-103
F	Generator, Sweep Signal	6625-00-935-0145	ANIUSM-203C
F	Voltmeter Elec	6625-00-420-9354	ME-30F/U
F	Headset	5965-00-636-3145	H-78A/AIC
F	Meter, Modulation	6625-00-647-3737	ME-57UA
F	Maintenance Kit	5821-00-935058	MK-1035/ARC-131
F	Stroboscope	6625-00-196-2858	TSS-805D/U
F	Test Set, RF Power	6625-00-933-8786	TS-2609/U
F	Test Set, Radio	6625-00-892-5542	ANNRM-1
F	Test Set, Receiver	6625-00-631-5501	AN/ARM-92B
F	Test Set, Receiver	6625-01-041-4161	AN/ARM-180
D	Calibrator Set, Magnetic Compass	6605-00-782-0281	AN/ASM-339(V)1
F	Voltmeter, Phase Angle	6625-00-180-3917	ME-223/U
F	Voltmeter, Electronic	6625-00-555-2312	ME-227/U

**TOOLS AND TEST EQUIPMENT REQUIREMENTS FOR:  
UH-1H and UH-1V - HELICOPTER (Continued)**

<b>MAINT CAT.</b>	<b>NOMENCLATURE</b>	<b>NATIONAL/NATO STOCK NUMBER</b>	<b>TOOL NO.</b>
D	Adapter Kit	6605-00-816-0329	MK-1040AIASN
F	Table Tilt, Gym	4920-00-937-2554	MX4042A
F	Test	6625-00-879-1965	TS-2644/ASN
F	Test Set	6625-00-879-1960	TS-2645/ASN
D	Bridge, Resistance	6625-00-16-0398	ZXB/U
F	Test Set, Receive r	6625-00-557-1168	ANARM-186
F	Adapter	5935-00483-7892	UG-274B/U
F	Test Set, Transponder	6625-00-164551	ANAPM-239A
F	Test Set, Transponder	6625-00-437-7312	AN/APM-305
F	Signal Generator	6625-00-519-2104	AN/URM44A
F	Sweep Generator	6625-00-935-0145	AN/USM-203C
D	Frequency, Comparator	5950-0023-0255	CM-77/USM
D	Differential Voltmeter	6625-00-9724046	ME-202B/U
F	Repair Kit, Printed Wiring Board	5999-00-757-7042	MK-772/U
F	Crystal Rectifier Test Set	6625-00-669-1215	TS-268E/U
F	Adapter	5935-00-258-9891	UG-564/U
F	Generator Signal	6625-00-872-3215	AN/USM-213
F	Test Set, RF Power	6625-00-917-3099	AN/USM-260
F	Test Adapter, Radar Sig.	5841-01-025-0379	MX-Z 9848/APR-39M
F	Generator, Signal	6625-00-107-8173	SG-944
F	Generator, Pulse (Two Each)	6625-01-010-3524	SG-110SU
O	Test Set, Flight Line Simulator	6940-01-031-5887	SM474/UPM
F	Modular Driver	6625-00-089-3146	8403A
F	Attenuator	5985-00-454-6923	8491B-10
F	PIN Modulator	6625-00-932-1852	8731B
F	PIN Modulator	6625-00-113-6300	8734B
D	Test Set, Breakdown Insulation	6625-00-542-1331	AN/GSMJ
F	Test Set, Motor Generator	4920-00-348-5793	AN/GSM5
O	Test Set Electrical Power	6624-00-971210	AN/UPM-93C
F	Power Supply	6130-00-5-0327	PP-4606G
D	Test Set, Armature	6625-00-828-5810	TS-965/U
D	Ohmmeter	6625-00-172521	ZM21 BIU
D	Test Set, Capacitor	6625-00-229-1060	ZM-3/U
F	Charger-Analyzer, Battery	6130-01-055-1574	AN/USM-432
F	Cable Assembly	6150-00410-9880	CX-1 1779/U
F	Cable Assembly	6150-00-935-8722	CX-11934/U
O	Discharge Fixture	6110-00-0144225	CX-8927AU
F	Generator, Signal	6625-00-868-8532	AN/URM-103
F	Voltmeter, Electronic	6625-00-973-3986	AN/URM-145
F	Voltmeter, Electronic	6625-00-753-2115	AN/USH-98A
F	Attenuator, Variable	5895-00-623-0255	CM-318/G
D	Attenuator, Fixed	5985-00-087-2547	CN-796/U
F	Detector R.F.	6625-00-876-3106	DT-307/8
F	Headset	5965-00-755-4656	H-157( )IC
D	Test Facilities Kit	6625-00-179-2528	MK-1191/AR



BLACKHAWK UH-60A/EH-60A  
- AVIONICS CONFIGURATION -  
NSN: 1520-01-035-0266  
EIC: RSA  
NSN: 1520-01-082-0686  
EIC: RSB

The following configuration depicts a typical configured UHOAEH0A. The actual configuration may vary depending on peculiar geographic requirements or changes incorporated through MWO action and special purpose alteration.

FUNCTION			UH60A	EH-60A
TYPE NUMBER	NOMENCLATURE			
<b>INTERCOM</b>				
C-6533/ARC	Intercom		5	2
209-077-204-1	ICS Filter		5	2
<b>UHF/AM RADIO</b>				
AN/ARC-164 consisting of	Radio Set			
RT-518/ARC-164	Receiver-Transmitter		1	1
RT-1167( )ARC-164	Receiver-Transmitter		1	1
AS-3524/A	UHF Antenna		1	1
<b>VHF/AM RADIO</b>				
AN/ARC-115A(V)	Radio Set		1	
RT-1354/ARC-186	Receiver-Transmitter			1
RT-1300NARC-1869(V)	Receiver-Transmitter		1	1
C-1 0604(V)6/ARC-186	Control		1	1
MT6051/ARC-186(V)	Mount		1	1
F-1522/A	VHF Band Pass Filter		1	1
70600-01019-104	FM/AM/ADF Antenna		1	1
AN/ARC-186 Radio Set (#1 FM)	1		1	1
ANARC-186	Radio Set (#2 FM)		1	1
RT-1300A/RC-186M	#1 FM Receiver-Transmitter		1	1
RT-1300AIARC-186(V)	#2 FM Receive>-Trnsmier		1	1
C-10604M6/ARC-186	Control (#1 FM)		1	1
C-10604M6/ARC-186	Control (#2 FM)		1	1
MT-6051/ARC-186(V)	Mount		2	2

FUNCTION				
TYPE NUMBER	NOMENCLATURE		UH-OA	EH40A
CM482/ARC-186	FM Homing Unit		1	1
AS-3522/A	Homing Antenna (LH)		1	1
AS-3523/A	Homing Antenna (RH)		1	1
CU-2284/A	Antenna Coupler		1	
LPF40-02B	FM Low Pass Filter		2	
70600-01010-104	Antenna Coupler		1	1
70600-01011-113	FM Low Pass Filter		2	1
70600-010194-1	FM/AMIADF Antenna		1	1
70600-06002-105	FM Comm Antenna		1	1
<b>IMPROVED VHF/F</b>				
AM-7189/ARC	RF Amplifier		1	1
ANARC-201(V)	Radio Set (#1 FM)		1	1
AN/ARC-201(V)	Radio Set (#2 FM)		1	1
C-11466/ARC-201	Control (#1 FM)		1	1
C-11466/ARC-201	Control (#2 FM)		1	1
CV-3885/ARC-201	Data Rate Adapter (# FM)		1	1
CV-3885/ARC-201	Data Rate Adapter (2 FM)		1	1
MT-6374/ARC-201	Mount		2	2
RT-1477/ARC-201(V)	Receiver-Transmitter FM)		1	1
RT1477/ARC-201(V)	Receiver-Transmitter (#2 FM)		1	1
<b>HF-SSB RADIO</b>				
AN/ARC-199	Radio Set		1	1
AM-7201/U	Amplifier Coupler		1	1
CN-1072/AJN	Compensator		1	1
CU-2305/ARC-199	Antenna Coupler		1	1
RT-1432/U	Receiver-Transmitter		1	1
<b>SECURE VOICE</b>				
C-81571ARC	Control Indicator		3	5
S-166060036-10	Mount		3	5
<b>STABILIZATION</b>				
AM-7104/A	Elec Control (Stabilator)		2	2
AM-7105/A	Synchro Signal (SAS) Amp		1	1
AM-7106/A	Control Amplifier		2	2
C-10909/A	Flight Control Panel		1	1
CP-1446/A	Computer		1	1
CN-1552/A	Rate Gyro		2	2
CN-1564/A	Rate Gyro		1	1
ID-2279/A	Stabilator Indicator		2	2
MT-6227/A	Vibration Tray		1	1
TR-322/A	Air Data Transducer		1	1
TR-323/A	Air Speed Transducer		1	1
TR-326A	Linear Servo Accelerometer		2	2
70400-06712-042	Stabilator Position Sensor		1	1
70901-02002-106	Stick Position Sensor		1	1
<b>COMMAND INSTRUMENT SYSTEM</b>				
C-10998I A	HSINSI Mode Select Panel		2	2
C-10999IA	CSI Mode Select Panel		1	1
CP-1470/A	CIS Processor		1	1
ID-2277/A	Vertical Situation Indicator		2	2
ID-2278/A	Horizontal Situation Indicator		2	2
MT4226/A	Mount		1	1



FUNCTION TYPE NUMBER	NOMENCLATURE	UH-60A	EH-60A
<b>GYRO</b>			
CN-1314/A	Gyro	2	2
TRU-2A	Turn Rate Gyro	2	2
<b>ALTIMETER</b>			
AAU-32/A	Encoding Altimeter	1	1
AAU-31/	Altimeter	1	1
<b>IDENTIFICATION</b>			
AN/APX-100	Transponder Set	1	1
AS-3528/A	IFF Antenna	2	2
MT-3949AU	Mount	1	1
KIT-1A/TSEC	IFF Computer	1	1
<b>COMPASS SYSTEM</b>			
ASN43A CONSISTING OF:	Compass System		
CN405/ASN	Compensator	1	1
CN-998/ASN43	Directional Gym	1	1
T-1 1/ASN	Induction Compass Transmitter	1	1
C-8021/ASN-75	Compass Control	1	1
<b>VOR/MB/GS</b>			
AN/ARN-123()4 consisting of:	Receiving Set		
C-10048/ARN-123	Control	1	1
MT-834/ARN-123)	Mount	1	1
R-2139/ARN-123	Receiver	1	1
AS-3525/A	MB Antenna	1	1
AS-3526/A	VOR Antenna	2	2
AS-3527A	GS Antenna	1	1
<b>ADF</b>			
AN/ARN-89B consisting of:	Direction Finder Set		
AM-4859ARN-89	Amplifier	1	1
AS-2108IARN-89	Loop Antenna	1	1
C-7392A/RN-89	Control	1	1
R-1496AIRN-89	Receiver	1	1
209-030-133-7	Sense Antenna Panel	1	1
70600-01019-104	FM/AM/ADF Antenna	1	1
<b>DOPPLER NAVIGATION SYSTEM</b>			
ANMASN-128 consisting of:	Doppler Nav Set		
CP-1252/ASN-128	Computer Display Unit	1	1
CV-3338/ASN-128	Signal Data Converter	1	1
RT-1193/ASN-128	Receiver-Transmitter-Antenna	1	1
<b>RADAR ALTIMETER</b>			
AN/APN-209(V)2 consisting of.	Radar Altimeter Set		
AS-2595/APN-194	Antenna	2	2
ID-1917/APN-209(V)	Height Indicator	1	1
RT-1115/APN-209(V)	Receiver-Transmitter	1	1
<b>RADAR WARNING RECEIVER</b>			
AN/APR-39() consisting of :	Radar Signal Detecting Set		
AS-2890/APR-39M	Antenna Blade	1	
AS-2891/APR-39M	Antenna Right Spiral	2	
AS-2892APR-39	Antenna Left Spiral	2	
C-9326/APR-39(V)	Control	1	
IP-150/APR-39(V)	Radar Signal Indicator	1	
CM-40-APR-39(V)	Comparator	1	
R-1838/APR-39(V)	Radar Receiver	2	

FUNCTION TYPE NUMBER	NOMENCLATURE	UH-60A	EH-60A
AN/APR-39(V)2 consisting of	Radar Signal Detecting Set		
AS-2890/APR-39(V)	Antenna Blade		1
AS-2891/APR-39(V)	Antenna Right Spiral		2
AS-2892/APR-39(V)	Antenna Left Spiral		2
C-10412/APR-39(V)	Control		1
IP-1150/APR-39(V)	Radar Signal Indicator		1
CM-440/APR-39(V)	Comparator		1
R-1838/APR-39(V)	Radar Receiver		2
<b>CW RADAR WARNING RECEIVER</b>			
ANIAPR-44)1 consisting of:	Radar Warning Set		
AS-3266/APR44	Antenna	2	2
C-10387/APR-44(V)	Control	1	1
F-1503/APR-44(V)	Low Pass Filer	1	1
R-2097/APR-44M	Radio Receiver	1	1
<b>LASER WARNING RECEIVER</b>			
AN/AVR-2 consisting of:	Laser Detecting Set		
CM-493AVR-2	Interface/Comparator	1	1
SU-1 30/AVR-2	Sensor	4	4
<b>COUNTERMEASURES</b>			
ANALQ-144(V)1 consisting of	Countermeasures Set		
C-10280ALQ-144	Control Unit	1	1
CY-7611/ALQ-144	Transmitter Case	1	1
T-1360(V) 1ALQ-144	Transmitter	1	1
M-130	General Purpose Dispenser	1	1
<b>COMMAND AND CONTROL</b>			
AN/ASC-15	Communications Console	1	1
<b>POWER SOURCES</b>			
BB-716/A	Battery	1	1
CV-3701A	Power Converter	1	1
PP-7723/A	Battery Charger	1	1
<b>MISCELLANEOUS</b>			
C-11038/A	Retransmission Control	1	1
J-3766A	Audio Interface Unit	1	1
H-250/U	Handset	1	1
70600-06001-103	Antenna	1	1

**NOTES:**

1. The AN/ARC-1 15 was replaced by the RT-1 354/ARC-186 beginning with the FY 80 production aircraft (80-23416). However, they are interchangeable so either may be installed.
2. Used as the VHF/AM, VHF/FM #2 and ADF Sense Antenna.
3. The CU-2284/A and F-1521/A are replaced by the Sikorsky part numbers 70600-01010-104 and 70600-01011-113 respectively starting with tail number 84-23959 and subsequent production aircraft.

**APPLICABLE AIRCRAFT AVIONICS MANUALS:**

TM 11-1520-237-1  
 TM 11-1520-237-2  
 TM 11-1520-237-3  
 TM 11-1520-237-4  
 TM 11-1520-237-23P

TOOLS AND TEST EQUIPMENT REQUIREMENTS FOR:  
EH-60A - HELICOPTER

MAINT. CAT.	NOMENCLATURE	NATIONAUNATO STOCK NUMBER	TOOL NO.
O	Tool Kit, Electronic Equipment	5180-00-064-5178	TK-101/G
O/F	Tool Kit, Electronic Equipment	5180-00-605-0079	TK-100/G
O/F	Tool Kit, Electronic Equipment	5180-00-610-8177	TK-105/G
O/F	Tool Kit, Electronic Equipment	5180-00-542-5812	TK-90/G
O/F	Tool Kit, Elec. Repair	5180-00-3234915	SC518099CLA076
O	Tool Kit, Connector	5935-01-161-5883	DMC-664TKA
O-D	Multimeter	6620-01-092-1198	SIMPSON 260-7
O-D	Multimeter	6625-01-139-2512	AN/PSM-45
O	Signal Generator	6625-00-557-1168	AN/ARM-186
O	Wattmeter	6625-00-813-8430	AN/URM-20
O	Testy Set Radio	6625-01-074-5646	AN/PRM-34
F	Counter, Digital	6625-01-061-8928	AN/USM-459
O	Cable Tester	6625-01-030-0993	AN/USM-437(V)1
O	Testy Set, Transponder	6625-01-152-6705	AN/APM-424(2)
O/D	Tape, Measuring	5210-00-287-3336	GGG-T-106
O	Wedge, 3060/90 Degree		A3012556
O	Adapter, AFCS, Pilot Static		1420-BH-011-03
O	Protractor Fixture	1730-01-220-8033	A3012559
O	Ext. Elect. Pwr. Cart	1730-01-144-1897	DAVDL-ATL-82-1-GPU
O	Stop Watch	6645-00-126-0286	MIL-S-14823
O	Insert/Extract Tool	5120-00-116-7457	MS3447-20
O	Simulator	6940-01-031-5887	SM-674/UPM
O	Protractor Assy	5220-00-212-8747	36D2844
O	Pin, Alignment		A3012558
O	Screwdriver, Nonmagnetic	5120-00-473-6450	5326404
O	Volt/Ammeter, D.C. Null	6625-00-466-0587	419A
O	Headset	5965-01-128-1410	H-157A/U
O	Wedge, 5/850 Degrees		A3012557
O	Spring Scale 5 LB	6635-00-087-9500	719-5
O	Spring Scale	6635-00-717-1307	GPP-5
O/D	Spring Scale 10 LB	6635-00-883-1205	719-10 MRP
O	Spring Scale 40 LB	6635-00-569-1757	8169612
O	Kit, Rigging	1730-01-089-0449	70700-20389-042
O	Test Set, Pilot Static	4920-00-988-0206	7365
O/D	Test Set, Stab/SAS	6625-01-266-1636	TS-3920B/ASM
O	Adapter, Pilot Head	4920-01-125-5384	884DB
D	Test Console, VSI	4290-01-069-4315	TE121880
D	Adapters/Cabs Kit		TE133267
D	Word Generator		TE120267
D	Test Console, HSI		TE119300-3
D	Adapters/Cables Kit		TE133263
O	Test Set	6625-01-038-8243	AN/ALM-178()
D	Synchro Simulator	6625-00-860-9290	SM-253/ASM
D	Voltmeter, Digital	6625-00-870-2264	AN/GSM-64
D	Oscilloscope	6625-00-181-1956	AN/USM-320()M1
D	Logic Simulator		Local FAB. #23
D	Power Absorber	4910-00-630-1614	GLB3A
D	Test Set, AFCS Control Panel		Local FAB. #32

TOOLS AND TEST EQUIPMENT REQUIREMENTS FOR:  
EH-60A - HELICOPTER (Continued)

MAINT. CAT.	NOMENCLATURE	NATIONAL/NATO STOCK NUMBER	TOOL NO.
D	Power Supply, DC	6130-01-053-6476	6268BOPT026
D	Megohmmeter	6625-00-393-2573	ME481/U
D	STD, VSWR Mismatch	6130-01-038-0228	MF-50
F/D	Soldering Station	4940-00-445-5965	PRS-475
D	Bridge, Refl/COEFF	6625-01-179-3833	RBC-3
D	Decade Box, Resistor	6625-00-935-1331	RDA
D	Chamber, Environment	6636-00-487-1773	TA8FS
D	Transistor Tester	6625-00-902-9562	TS-2086/U
D	Sweep Generator	6625-00-828-6410	TS-452D/U
D	VARIAC (3 PHASE)	6120-00-225-4226	M20G3
D	Test Set, Insulation	6625-00-581-2466	ZM-21A-B/U
D	Bridge, Capacitance	6625-00-167-9861	ZM-74/U
D	Test Set, Air Data	4920-01-127-3156	6660-804
D	Rate Table		5347
D	Frequency Response Analyzer	6625-00-123-8726	1410
D	Function Generator	6625-00-202-3585	142
D	Phase Angle Voltmeter	6625-00-463-4704	PAV-4
D	Battery Sys. Simulator		SD-C-82-2309
D	Antenna Simulator		30-08
D	Function Generator	6625-00-466-0586	3310A
D	Krohn-Hite Filter	5915-00-270-0967	3342R
D	Stop Clock	4933-00-155-4922	8449199
D	Dual Power Supply	6130-00-530-3734	6227B
D	DC Power Supply	6625-00-247-4664	6290A
D	Decade Box, Resistor	6625-00-488-0950	1433J
D	Oscilloscope	6625-00-551-7851	7613
D	Oscilloscope	6625-00-261-5127	7603
Test Set	Stabilator Amplifier	4920-01-163-5294	70070-77677-041
D	Test Set, SAS Amplifier		Local Fab #53
D	Test Set, Pitch Module		Local Fab #54
D	Test Set, Roll/YAW Module		Local Fab #55
D	Test Set, Processor		TE127200
D	Mode Logic Tester		TE129561
O/D	Digital Low Resistance Ohmmeter		247001
D	Slab Amp Mod Test Set	6625-01-214-2889	70700-77679-041
D	Tunable Diplexer Test Set		Local Fabrication
D	Network Analyzer		HP 8753C
D	S Parameter Test		HP 85047A
D	7 MM Test Port, Return Cable Set		HP 11857D
D	50 OHM, Type N1 Calibration Kit		HP 85032B

TOOLS AND TEST EQUIPMENT REQUIREMENTS FOR:  
UH-0A - HELICOPTER

MAINT. CAT.	NOMENCLATURE	NATIONAL/NATO STOCK NUMBER	TOOL NO.
O	Adapter Pilot Head	4920-01-125-5384	84DB (04274)
O	Adapter, AFCS, Pilot /Static		1520-BH-011-03 (56646)
D	Adapters/Cables Kit		TE133263 (10138)
D	Adapters/Cables Kit		TE 33267 (10138)
D	Ammeter, AC/DC	6625-01-037-0057	AX (13648)
D	Antenna Simulator		30-08 (28600)
D	Battery Sys. Simulator		SD-CJ2-2309 (16250)
D	Bridge, Capacitance	6625-00-167-9861	ZM-7U (28480)
D	Bridge, Refl/Coeff		RCB-3 (23042)
O	Cable Test	6625-01-030-0993	AN/USM437M(1 (00009)
D	Chamber, Environment	6636-00-487-1773	TA8FS (93774)
O	Clutch Head Adapter	5120-00-357-5361	F29(55719)
+0	Counter, Digital	6625-01-061-8928	AN/USM-459 (80058)
D	DC Power Supply	6625-00-247664	6290A (28480)
D	Decade Box, Resistor	6625-00-480-0950	1433J (24655)
D	Decade Box, Resistor	6625-00-935-1331	RDA (14655)
D	Dual Power Supply	6130-00-530-3734	6227B (28480)
O	Ext. Elect. Power Cart	1730-01-144-1897	DAVDL-ATL-2-A-GPU (56646)
D	Freq. Response Analyzer		1410(65092)
D	Function Generator	6625-00-202-3585	142(23338)
D	Function Generator	6625-0066-0586	3310A (28480)
D	Gate Blocks J1/J 7		FLA 9181-5 (73030)
F	Handle, Flex 3/8 DR.	5120-00-240-5396	(In TK-101/G)
O	Headset	5965-01-128-1410	H-157AU (81349)
O	Insert/Extract Tool	5 120-00-116-7457	MS3447-20 (96906)
O	Kit, Rigging	1730-01-089-0449	70700-20389042 (78286)
D	Krohn-Hite Filter	5915-00-270-0967	3342R (88865)
D	Load Bank		SD-C82-2514 (16250)
D	Logic Simulator		Local Fab. m23 (78286)
D	Megohmmeter	6624-00-393-2573	ME81/U (24655)
D	Mode Logic Tester		TE129561 (72914)
F/	Multimeter	6620-01-092-1198	Simpson 260-7 (55026)
O/D			
***F/	Multimeter (2 req.)	6625-01-06804	AN/USM-451
O/D		(05535)	
D	Oscilloscope	6625-00-181-1956	AN/USM-320(M1 (28480)
D	Oscilloscope	6625-00-261-5127	7603 (80009)
D	Oscilloscope	6625-00-551-7851	7613(80009)
D	Phase Angle Voltmeter	6625-00-463-4707	PAV- (88869)
O	Pin, Alignment		A3012558(80063)
D	Plug-in, Dual Time Base	6625-00-261-5139	TD-1159/U
D	Plug-in, Dual Trace	6625-00-185-7817	AM-6880/U (80009)
D	PI <sup>u</sup> -in Voltmeter	6625-00-517-6880	7D13 (80009)
D	Portable Digital Card Tester	6625-01-125-2473	AN/USM465A
O	Portable Radio	5820-00-930-3725	RT-841/PRC-77 (80058)
D	Power Absorber	4910-00-630-1614	GLB3A (82386)

+ Use AN/ASM-207A until AN/USM-459 is available.

\*\*\* Use until replaced by AN/PSM-45 or AN/USM-486.

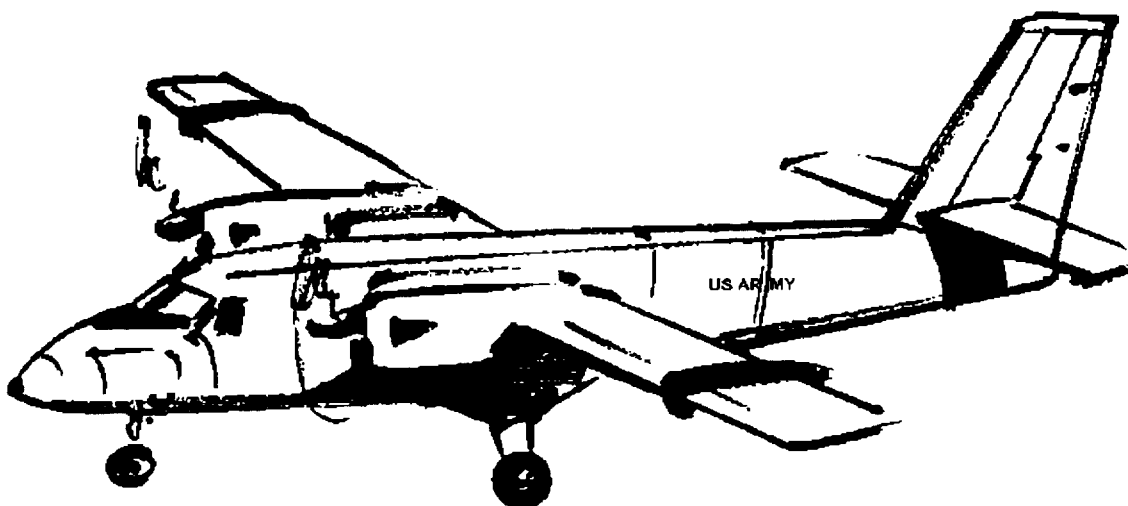
TOOLS AND TEST EQUIPMENT REQUIREMENTS FOR:  
UH-600A - HELICOPTER (Continued)

MAINT. CAT.	NOMENCLATURE STOCK NUMBER	NATIONAL/NATO	TOOL NO.
D	Power Supply	6625-00-2854457	SM160-2AM
D	Power Supply, DC	6130-01-0534476	6268BOPT026 (28480)
D	Power Supply, DC	6625-00-841-8917	PP-7064/U
O	Protractor Assy	5220-00-212-8747	36D2844 (80049)
O	Protractor Fixture		A3012559 (80063)
D	Resistor		RCRG502JR
D	Scorsby Table	4920-00-696-7186	1406R (30120)
O	Screwdriver, Cross	5120-00-234-8912	
O	Screwdriver, Nonmagnetic	5120-00-473-6450	(80058)
O	Screwdriver, Ratchet	5120-00-061-4355	
O	Signal Generator	6625-00-557-1168	AN/ARM-186 (13499)
O	Simulator	6940-01-031-5887	SM-674/UPM (80058)
F/O	Socket 3/8	5120-00-935-7489	(80058)
O/D	Soldering Station	4940-00-445-5965	PRS-475 (57216)
O	Spring Scale	6635-00-717-1307	GPP-5 (80058)
O	Spring Scale 5 LB	6635-00-087-9500	719-5 (11710)
O/D	Spring Scale 10 LB	6635-00-883-1205	719-10 MRP (11710)
O	Spring Scale 40 LB	6635-00-569-1757	8169612 (18876)
D	Std, VSWR Mismatch		MF-50 (23042)
D	Stop Clock	4933-00-155-4922	(80058)
O	Stop Watch	6645-00-126-0286	MIL-S-14823 (81349)
D	Sweep Generator	6625-00-828-6410	TS-52D/U (34148)
D	Synchro Simulator	6625-00-860-9290	SM-253/ASM (13499)
O/D	Tape, Measuring	5210-00-287-3336	GGG-T-106 (81348)
D	Test Console, HSI		TE 19300-3 (10138)
D	Test Console, VSI		TE121880 (10138)
D	Test Set	6625-01-038-8243	AN/ALM-178() (94117)
D	Test Set, AFCS Control Panel		Local Fab. #32 (78286)
D	Test Set Air Data		11082(14178)
D	Test Set Insulation	6625-00-581-2466	ZM-21A-B/U (66150)
D	Test Set, Pitch Module		Local Fab #54 (78286)
O	Test Set Pilot Static	4920-00-988-0206	7365(99664)
D	Test Set, Processor		TE127200 (72914)
D	Test Set Roll/aw Module		Local Fab #55 (78286)
D	Test Set, SAS Amplifier		Local Fab #53 (78286)
D	Test Set, Stabilator Amp.		Local Fab #38 (78286)
F/O/	Test Set, STAB/SAS	6625-01-087-1730	TS-3920A/ASM (78286)
D			
++O	Test Set, Transponder	6625-01-152-6705	AN/APM-424(2) (98750)
F/O	Tool Kit, Aircraft	5180-00-323-4692	SC518099CLA01 (80058)
F/O	Tool Kit, Battery	5180-00-542-5812	TK-90/G (80058)
O	Tool Kit, Connector	5935-01-161-5883	DMC-64TKA (11851)
O	Tool Kit, Elec. Equip.	5180-00-064-5178	TK-101/G (80058)
F/O	Tool Kit, Elec. Equip.	5180-00405-0079	TK-100/G (80058)
F/O	Tool Kit, Elec. Equip	5180-00410-8177	TK-105/G (80058)

++ Use AN/APM-123 until AN/APM-424 is available.

TOOLS AND TEST EQUIPMENT REQUIREMENTS FOR:  
UH-600A - HELICOPTER (Continued)

MAINT. CAT.	NOMENCLATURE	NATIONALNATO STOCK NUMBER	TOOL NO.
F/O	Tool Kit, Elec. Repair	5180-00-323-4915	SCS18099CLA06 (80058)
F/O	Torque Wrench	5120-00-542_4489	25D150F (86188)
D	Transistor Tester	6625-00-902-9562	TS-20#86 (14558)
D	VARIAC	612000-054-229	WOMT3A (13850)
D	VARIAC (3 Phase)	6120-00-2254226	M20G3 (13850)
O	Volt Ammeter, D.C. Null	6625-00-466-0587	419A (28480)
D	Voltmeter, Digital	6625-00-870-2264	ANSM-64 (03626)
O	Wattmeter	6625-00-740-2746	ANURM-120 (11149)
O	Wattmeter	6625-01-094-5646	AN/PRM-34() (80045)
O	Wedge, 5/85/90 Degrees		A3012557 (803)
O	Wedge, 30/60/90 Degrees		A3012556 (80063)
D	Word Generator		TE120267(10138)
F/O	Wrench, Open End 5/16 x 3/	5120-00-277-2307	
FI/	Wrench 3/8 x 7/16	5230-00-224-3146	(80058)
D			
D	X-Y Recorder	6625-00-4636042	RO458M1(28480)



**TWIN OTTER UV-18A**  
- AVIONICS CONFIGURATION -  
NSN: 1510-01-011-1462  
EIC: SVB

The following configuration depicts a typically configured UV-18A. The actual configuration may vary depending on peculiar geographic requirements or changes incorporated through MWO action and special purpose alteration.

<b>FUNCTION</b>		<b>UV-1 8A</b>	<b>UV-18A</b>
<b>TYPE NUMBER</b>	<b>NOMENCLATURE</b>	<b>(FY-76)</b>	<b>(FY-79 &amp; FY2)</b>
<i>INTERCOM</i>			
C-6533/ARC	Intercom Control	3	3
<i>UHF-AM RADIO</i>			
RT-1167( )/ARC-164	Receiver-Transmitter	1	1
<i>VHF-AM RADIO</i>			
KX- 75B (KING)	Radio Set	2	
VHF-20B (COLLINS)	Radio Set		2
<i>VHF-FM RADIO</i>			
AN/ARC-114()	Radio Set	1	1
<i>HF-SSB RADIO SET</i>			
ASB-110 (SUNAIR)	Radio Set	1	
718U-5 (COLUNS)	Radio Set		1
<i>SECURE VOICE</i>			
MD-736/A	Signal Discriminator	2	2
Z-AHP	Remote Control	1	1
Z-AHQ	Interface Adapter	1	1
TSEC/KY-58	Comm Security Set	1	1
<i>ADF</i>			
DF-206 (COLLINS)	Direction Finder Set	1	
KR-85 (KING)	Direction Finder Set		1
<i>VORMB/GS</i>			
AN/ARN-123M1 consisting of C-10048/ARN-123)	Receiving Set Control	1	



FUNCTION TYPE NUMBER	NOMENCLATURE	UV-18A (FY-76)	UV-18A (FY-79 & FY-82)
MT4834/ARN-123(V)	Mount		1
R-203/ARN-23M	Receiver		1
KN-73 (KING)	GS Receiver	1	
KR-21 (KING)	MB Receiver	1	
KX-175 (KING)	VOR/LOC Receiver	1	
<i>DME</i>			
KN-5 (KING)	Distance Measure Set	1	
ICN40 (COLLINS)	Distance Measure Set		1
<i>R-NA V</i>			
KN-74 (KING)	R-NAV Computer Set	1	
<i>ALTIMETER</i>			
ALT-50 (COLLINS)	Radar Altimeter Set	1	1
<i>IDENTIFICATION</i>			
ANIAPX-72 consisting of	Transponder Set		
C-6280A(P)/APX	Control	1	1
MT3809/APX-72	Mount	1	1
RT-859( )/APX-72	Receiver-Transmitter	1	1
TS-1843( )/APX	Test Set	1	1
MT-3513/APX	Mount (TS-1843)	1	1
AT-884/APX	Antenna	1	1
MT-3949AU	Mount (KIT-IA)	1	1
KIT-11'SEC	IFF Computer	1	1
<i>AUTOMATIC FLIGHT CONTROL</i>			
AP-106 (COLLINS)	Auto Pilot		1
<i>GNS</i>			
GNS-SOOA	Global Pos Nav Set		1
<i>COMPASS</i>			
C-14A (SPERRY)	Compass System		1
<i>POWER SOURCE</i>			
PC-15BC	Static Inverter	2	
<i>MISCELLANEOUS</i>			
C6SC-163429	Airspeed Indicator	2	
DF-301	Indicator	1	
IU2570301	Vert. Speed Indicator	2	
FD-1 12V (COLLINS)	Flight Director	2	
KCS-55A-01 (KING)	Compass Pictorial Ind.	1	
KI-226 (KING)	RMI	2	
-265 (KING)	DME Indicator	1'	
-525A (KING)	Pictorial Nav. Ind.	1	
KN-520 (KING)	Course Indicator	1	
M-500-08	Turn & Slip Indicator	2	
VG-14	Vertical Gym	2	
329T-1	Turn & Slip Indicator	1	
500ED	Attitude	2	
3117LB-33C	RMI	2	

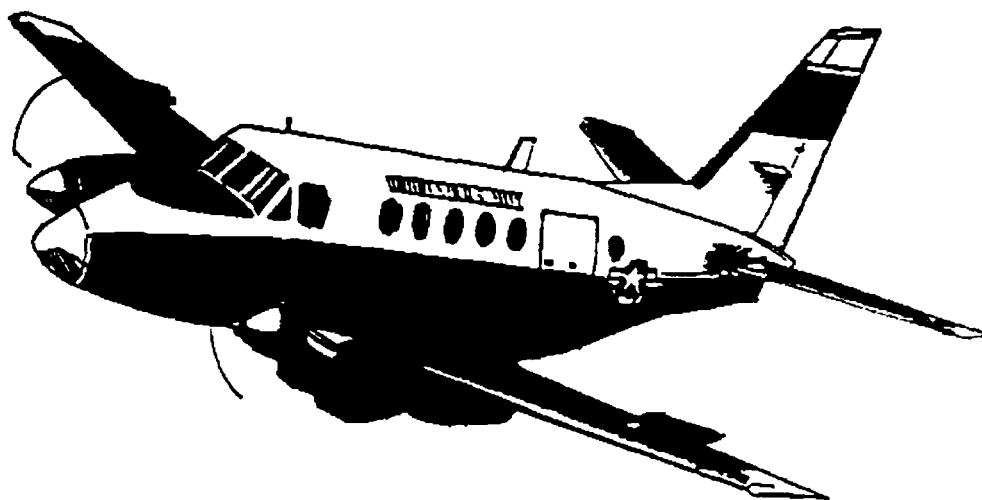
**APPLICABLE PUBLICATIONS:**

TM 11 series manuals covering the avionics configuration of the UV-18 have not been published.

**TOOLS AND TEST EQUIPMENT REQUIREMENTS FOR:  
UV-18A - AIRCRAFT**

The UV-18A is fully contractor maintained.

**III-63**



**U21A - UTE**  
AVIONICS CONFIGURATION -  
NSN: 1510-00-933-8223  
EIC: SRH

The following configuration depicts a typically configured U21( ). The actual configuration may vary depending on peculiar geographic requirements or changes incorporated through MWO action and special purpose alteration.

FUNCTION TYPE NUMBER	NOMENCLATURE	U-21A/ DIG/H	RU-21A	RU-21B	RU-21C	RU-21H
<i>INTERCOM</i>						
C-1611()/AIC	Intercom Control	2	2	2	2	
KMA-24H	Intercom Control	2				
<i>UHF/AM RADIO</i>						
AN/ARC-51BX	Radio Set					
consisting of						
C4287/ARC-51BX	Control	1	1	1	1	
HD4615/ARC-5 X	Cooler	1	1	1	1	
ID-1003/ARC	SWR Indicator	1	1	1	1	
MT-2653/ARC	Mount	1	1	1	1	
RT-742( )/ARC	Receiver-Transmitter	1	1	1	1	
AT-1108/ARC	VHF/UHF Antenna	1	1	1	1	
RT-1167/ARC-164	Radio Set		1			
<i>VHF/AM RADIO</i>						
ANARC-134( )	Radio					
consisting of						
C-7197/ARC-134	Control	1	1		1	1
MT-3791( )/ARC-134	Mount	1	1		1	1
RT-1108/ARC	Receive-Transmitter	1	1		1	1
KY-1 96 (KING)	Radio Set	2				
<i>VHF/FM RADIO</i>						
AN/ARC-54	Radio Set					
consisting of						
C-3835/ARC-54	Control	1	1	1	1	1
RT-348/ARC-54	Receiver-Transmitter	1	1	1	1	1
MT-1535/ARC-54	Mount	1	1	1	1	1
AT-1108/ARC	VHF/UHF Antenna		1	1	1	1

FUNCTION TYPE NUMBER	NOMENCLATURE	U-21AI DIG/H	RU-21A	RU-21B	RU-21C	RU-21H
<i>AN/ARC-131 consisting of</i>						
C-7088/ARC-131	Control	1	1	1	1	1
MT-3664/ARC-131	Mount	1	1	1	1	1
RT-823/ARC-131	Receiver-Transmitter	1	1	1	1	1
AS-1703/AR	FM Comm Antenna	1				
CU-942( )ARC	FM Antenna Coupler	1				
AS-1922/ARC	FM Homing Antenna	1	1	1	1	
AS-2285/ARC	FM Comrn Antenna	1	1	1	1	
<i>HF RADIO</i>						
<i>AN/ARC-102 consisting of:</i>						
C-3940/ARC-94	Control	1	1	1	1	1
RT-698/ARC-102	Receiver-Transmitter	1	1	1	1	1
50-345772	Mount	1	1	1	1	1
CU-1658( )A	Antenna Coupler	1	1	1	1	1
MT-3772NA	Mount (CU-1658)	1	1	1	1	1
50-345615601	HF Antenna		1		1	1
50-346063	HF Antenna		1			
91-340045-1	HF Antenna		1	1		
<i>SECURE VOICE</i>						
MD-736/A	Signal Discriminator	2	2	2	2	3
<i>GYRO COMPASS</i>						
<i>ANASN43 consisting of</i>						
CN405/ASN	Compensator	1	1	1		1
CN-998( )ASN	Directional Gyro	1	1		1	
T41 1ASN	Compass Transmitter	1	1	1		1
<i>- ADF</i>						
<i>AN/ARN-83 consisting of</i>						
AS-1863/ARN-83	Loop Antenna	1	1	1	1	1
C-6899/ARN-83	Control	1	1	1	1	1
MT-3605/ARN-83	Mount	1	1	1	1	1
R-1391/ARN-83	Receiver	1	1	1	1	1
50-345812	ADF Sense Antenna		1	1	1	1
KR-87 (KING)	Direction Finder Set	1				
<i>VOR/ILS</i>						
KN-53 (KING)	Receiving Set (VOR/ILS)					
AS-580NARN	VOR/GS Antenna	1				
VT-10-02	VOR/GS Antenna	2	2	2	2	
<i>MB/GS</i>						
R-1963/ARN	Radio Receiver (MBGS)	1	1		1	
MT-835/ARN	Mount (R-1963)	1		1		1
AT440( )/ARN	MB Antenna	1		1		1
AS-580A/ARN	VOR/GS Antenna					1
VT-10-02	VOR/GS Antenna	2	2	2		
KR-21 (KING)	Radio Receiver (MB)	1				
<i>TACAN</i>						
<i>AN/ARN-103(V) consisting of</i>						
C-8968/ARN-103(V)	Control	1				
CV-2924(P)/ARN-103)	Signal Data Converter	1				
MT-411/ARN-103)	Mounting	1				
RT-1057/ARN-103(V)	Receiver-Transmitter	1				
AT-884( )/APX	Antenna	2	2	2	2	1
339D-I(COLLIN)	Distance Indicator	1	1		1	1

FUNCTION TYPE NUMBER	NOMENCLATURE	U-21A/ DIGIH	RU-21A	RU-21B	RU-21C	RU-21H
<i>RADAR ALTIMETER</i>						
KRA-10A	Radar Altimeter	1				
ANIARN-102 consisting of:	Navigation Set (TACAN)					
0046-101-5109	Receiver-Transmitter		1		1	
0046-101-5110	Control		1	1	1	
801000152	Mount		1	1	1	
KTU-709(KING)	TACAN Set		1			
<i>INERTIAL NAVIGATION</i>						
ANASN-86 consisting of	Inertial Navigation Set					
CP-941/ASN-86	Navigation Computer		1	1	1	1
ID-1579/ASN-86	Control-indicator	1		1	1	
MT4447/ASN-86	Mount (MX-8123)	1	1	1	1	
MT4075/ASN-86	Mount (CP-941)	1	1	1	1	
MX-8123/ASN-86	Gyro Sbilized Platform		1	1	1	1
T461 1ASN	Compass Transmer1	1	1	1		
CN405/ASN	Compensator	1	1	1		
T-992/A	True Airspeed Transmier		1			
KNS-81 (KING)	Integrated Nav Sys		1			
<i>WEATHER RADAR</i>						
ANAPN-158( ) consisting of	Weather Radar Set					
AS-1520( )/APN-158	Antenna	1	1	1	1	
C-4881/APN-158	Control	1		1	1	
IP-724( )/APN-158	Azimuth Range/ndicator		1	1	1	1
MT-3068/APN-158	Mount (RT-711)	1	1	1	1	
MT-3069/APN-158	Mount (SN-358)	1	1	1	1	
RT-711( )/APN-158	Receiver-Transmitter	1	1	1	1	
SN-358( )/APN-158	Synchronizer	1	1	1		
AN/APN-215M consisting of:	Weather Radar Set					
AS-3451/APN-215M	Antenna	1	1	1	1	1
ID-1376/APN-215	Indicator	1	1	1	1	1
MT-5203/APS-505	Mount	1	1	1	1	1
RT-1 352APN-215(V)	Receiver-Tnsmier	1	1	1	1	1
<i>IDENTIFICATION</i>						
ANIAPX-72 conssting of	Transponder Set					
C-28A(P)/APX	Control	1	1	1	1	1
MT-3809/APX-72	Mount	1	1	1	1	1
RT-859()/APX-72	Transponder	1	1	1	1	
TS-1843( )/APX	Test Set	1	1	1	1	1
MS-3513/APX	Mount (TS-1843)	1	1	1	1	1
AT-884( )/APX	Antenna	1	1	1	1	1
MT-3949AU	Mount (KIT-1A)	1	1	1	1	1
KT-76A	Transponder Set	1				
<i>AUTO PILOT</i>						
H-14	Automatic Ft Control Sys	1	1	1		
KFC-250 (KING)	Auto Pilot	1				
<i>ATTITUDE INDICA TING</i>						
MC-1	Rate Gyro	1	1	1	1	
MD-1	Displacement Gyro		1	1	1	1
<i>RADAR WARNING</i>						
AN/APR-39M1 consitng of.	Radar Signal Detecting Set					
AS-2890/APR-39(V)	Blade Antenna	1	1	1	1	
AS-2891/APR-39(V)	Right Spiral Antenna	1	1	1	1	
AS-2892/APR-39(V)	Left Spiral Antenna		1	1	1	1

FUNCTION TYPE NUMBER	NOMENCLATURE	U-21A/ DIGIH	RU-21A	RU-21B	RU-21C	RU- 21H
C-9325/APR-39)	Control	1	1	1	1	
CM-440/APR-39(	Comparator	1	1	1	1	
IP-1150/APR-39(V)	Indicator	1	1	1	1	
R-1838/APR-39(V)	Receiver	1	1	1	1	
AN/APR-4(V)3 consisting of	Radar Signal Detecting Set					
AS-3266/APR-44(	Antenna	1	1	1	1	
C-10387/APR-44(V)	Control	1	1	1	1	
F-1503/APR44(V)	Low Pass Filter	1	1	1	1	
R-2097/APR-44(V)	Receiver	1	1	1	1	
R-2098/APR-44(	Receiver		1	1	1	1
<b>POWER SOURCES</b>						
BB-433( )/A	Bate,	1	1	1		
E551-11220-6	Batter		1	1		
50-34576-1	Main Inverter	1	1	1		
50-345764-2	Standby Inverter	1	1	1		
50-345764-5	Main Inverter	1				
50-345764-6	Standby Inverter	1				
PU-544( )/A	INS					
MGH 229-100	INS Inverter	1	1	1		
PC-17A	Stic Inverter		2			
<b>MISCELLANEOUS</b>						
AM-3209/ASN	Sewoamplier	1	1	1	1	
ID-250( )/ARN	Radio Magnetic Indicator		2			
ID-351 BARN	Course Indicator		1	1		1
ID-387IARN	Course Indicator		1	1		1
ID-998/ASN	Radio Magnet Indicator		1	1		
50345974	Radio Magnetic Indicator '			1		
AN/ARA-50 consisting of	UHF Direction Finder Set					
AM-3624/ARA-50	Amplifier		1	1	1	
AS-909/ARA-48	Loop Antenna		1	1	1	
MT-1955IARA-50	Mount (AM-3624)		1	1	1	
KI-525A (KING)	Horiz. Situation Ind.		1			
KG-102A (KING)	Gym		1			
KMT-112 (KING)	FluxValve		1			
KDI-573 (KING)	Slave DME Ind.		1			
KNI-582 (KING)	RMI		2			
KN-72 (KING)	VOR/LOC Converter		1			

**GENERAL NOTE:** Since FY 87 the U-21( ) aircraft, including the avionics systems, are supported under an ATCOM/contractor logistics support program.

**APPLICABLE AIRCRAFT AVIONICS MANUALS:**

- TM 11-1510-20920
- TM 11-1510-209-20P
- TM 11-1510-209-34P
- TM 11-1510-209-35

**TOOLS AND TEST EQUIPMENT REQUIREMENTS FOR:  
RU-21H(GR-H) AIRCRAFT, RECONNAISSANCE - UTILITY**

<b>MAINT. CAT.</b>	<b>NOMENCLATURE STOCK NUMBER</b>	<b>NATIONAL/NATO</b>	<b>TOOL NO.</b>
O	Multimeter	6625M-581-2036	AU/URM-105
F,D	Multimeter	6625-00-553-0142	TS-352BW
F,D	Voltmeter	6625-00-7090288	ME-202( )U
F,D	Voltmeter	6625-00643-1670	ME-30B/U
F,D	Signal Generator	6625-00-783-5965	AN/URM-127
O,F,D	Signal Generator	662500-539-8575	SG-13( )/ARN
F,D	Pulse Generator	6625-00-545-7953	SG69/PPM-1
O	Signal Generator	662500-724-9523	PS-376
F,D	Signal Generator	6625-0049-5194	SG-15( )ICM
O	Test Set, Transponder	6625-00-948-0071	AN/APM-123M1
F,D	Test Set, Capacitor	6625-00-229-1060	ZM-3/U
F,D	Oscilloscope	6625-00-228-2201	AN/USM-281A
F,D	Tool Kit, Electronic Equipment	5180-00-610-8177	TK-105/G
O	Test Set, Radar	6615-00911-7246	AN/URM-101B
O	Radio Set	5820-00-857-0759	AN/PRC-25
O	Tool Kit, Electronic Equipment	5180-00-064-5718	TK-101/G
O	Radar Simulator High	4920-0158-2340	SM684/APM-327A
O	Radar Simulator Medium	4920-O 188-3161	SM-683/APM-327A
O	Radar Simulator Low	6625-00-115-6460	SM-568/APM-327

## **APPENDICES**



## APPENDIX A

**AVIONICS SYSTEMS AND SUBSYSTEMS MANAGEMENT DATA**

This append includes the various avionics systems, subsystems and major components thereof, listed alphanumerically. Commercial items are listed by manufactures pa number following the military designated items. The following data is furnished, if available and where applicable:

**TYPE NUMBER:** Self-explanatory

**NOMENCLATURE:** A noun or brief group of terms which designates the family name of the item.

**NATIONAUNATO STOCK NUMBER (NSN):** A thirteen character number assigned to items of supply which are repetitively used, purchased, stocked or distributed within the Federal Supply System.

**LINE ITEM NUMBER (LIN):** A six-character alphanumeric identification of a generic nomenclature and of the line on which the generic nomenclature is listed in SB 700-20 and in Army equipment authorization documents.

**SOURCE OF SUPPLY (SOS):** A three-character Routing Identifier Code which entities the activity having item management responsibility and to which requisitions should be directed.

<i>Code</i>	<i>Activity</i>
AKZ.....	US Army Tank-Automotive Command Warren, MI 48090
AP5.....	US Army Support Activity, Philadelphia Philadelphia, PA 19101
A35.....	US Army General Materiel and Petroleum Activity New Cumberland, PA 17070
B14.....	US Army Armament Command Rock Island, IL 61201
B16.....	US Army Communications-Electronics Command Ft. Monmouth, NJ 07703
B17.....	US Army Troop Support and Aviation Materiel Readiness Command St. Louis, MO 63120
B46.....	US Amy Electronics Materiel Readiness Activity Warrenton, VA 22186
B56.....	US Army Communications Security Logistics Agency Ft. Huachuca, AZ 85613
B63.....	US Army Biological Depot Water Reed Army Medical Center Washington, DC 20012
B64.....	US Army Missile Command Redstone Arsenal, AL 35809
B69.....	US Army Medical Materiel Agency Frederick, MD 21701
FFZ.....	Sacramento Air Logistics Center McClellan AFB, CA 95652
FGZ.....	Ogden Air Logistics Center Hill AFB, UT 84406
FHZ.....	Oklahoma City Air Logistics Center Tinker AFB, OK 73145
FLZ.....	Warnr-Robins Air Logistics Center Robins AFB, GA 31098
FPH.....	San Antonio Air Logistics Center Kelly AFB, TX 78241
FPK.....	San Antonio Air Logistics Center Kelly, AFB, TX 78241
FPZ.....	San Antonio Air Logistics Center Kelly AFB, TX 78241

<i>Code</i>	<i>Activity</i>
GO .....	Blank O identifies the item as managed by GSA. Closest source, as outlined in AR 725-50, applies to the second position of the code.
MPB.....	Mane Corp s Logistics Base Code P840, Bldg 3700 Albany, GA 31704
N32 .....	Navy Aviation Supply Office Philadelphia, PA 19111
N35 .....	Navy Ships Pars Control Center Mechanicsburg, PA 17055
S9C.....	Defense Construction Supply Center Columbus, OH 43215
S9E.....	Defense Electronics Supply Center Dayton, OH 45444
S9G .....	Defense General Supply Center Richmond, VA 23297
S91 .....	Defense Industrial Supply Center Philadelphia, PA 19111
S9M .....	Defense Personnel Suppod Center Philadelphia, PA 19101
S95 .....	Defense Personnel Suppod Center Phiadelphia, PA 19101
S9T .....	Defense Personnel Support Center Philadelphia, PA 19101

**END ITEM/USED WITH:** Self-explanatory.

## AVIONICS SYSTEMS AND SUBSYSTEMS MANAGEMENT DATA

TYPE #	NOMENCLATURE	NSN	LIN	SOS	COMPONENT OF
004-101-O5110	Control				ANARN-102
0046-101-5109	Receiver-Transmitter				AN/ARN-102
114E2186-()	Speed Trim Amplifier				CH.47D
114E3030-()	SAS Amplifier				CH47D
114E3094-()	HF Antenna				CH-47D
134AV25508-1	MB Antenna				OV-ID( )
134AV25518-1	Sense Antenna				OV-1 D( )
134AV35003-1	GS Antenna				OV-1 D()
134AV45511-1	HF Antenna				O-1 D()
134CS30103-1	VOR Antenna				OV-1 D()
134F80332-1	Mount				OV-1 D()
134SCAV247	FM Comm Antenna				OV-1 D()
137X-1	VOR Antenna	5821-00-801-4671		S9E	CH-47D
145E3118-()	Interphone Junction Box				CH-47D
1908-01	Lightning Arrester				OV-D()
204-075-328-1	ADF Sense Antenna				UH-1
205-075-325-1	ADF Sense Antenna	5826-00-740-5100		B16	
205-075-381-1	UHF Hi Pass Filter				AN/ARC-51BX
205-075-382-1	VHF Band Pass Fler				OH-58D
205-706-027-1	HF Antenna				UH-1
206-032-310-3	ADF Sense Antenna ADF Sense Antenna	1560-00-127-3198			B17OH-58A/D
206-075-483-1	Impedance Matching Network	5999-00-133-8917		B-17	OH-58A/D
206-075-518-1	VHF Antenna	5985-00-179-3826		B-17	17OH-58A/D
206-075716-1	Course Indicator				OH-58D
206-077-109-1	Antenna	5985-01-154-7327		S9E	OH-58ND
209-030-133-7 AH-1()	Sense Antenna Panel				UH-60A/EH-60A,
209-074-070-3	Control Panel	660501-064-7160		B16	
209-074-080-103	Sensor Amplifier	661501-079-3529		B16	AH-1()
209-074-084-1	Control Panel	661501-119-9261		B16	AH-()
209-074-092-1	Armament Compensator	660501-064-7161		B16	AH-I()
209-077-081-3	HSI Display Control Panel	5826-01-083-9448		B16	
209-077-081-5	HSI Display Control Panel	5826-01-119-7141		B17	
209-077-202-3	FM Com Antenna Assy	1560-01-064-4923		S9E	AH-1()
209-077-204-1 AH-1()	ICS Filter	5915-01-087-8319			UH-60A/EH-60A,
21-036312-0A	Blade Antenna	5865-00-127-1574	FLZ		N/ALR-46)
3117LB-6-3C	RMI				UV-18A
329B-9A	Horizon Reference Indicator				RC-12
329T-1	Turn and Slip Indicator				RC-12, UV-18A
331-6P (HSI)	Horizontal Situation Indicator				RC-12
331A-8G (HSI)	Horizontal Situation Indicator				RC-12
332C-10 (RMI)	Radio Magnetic Indicator				RC-12
339D-1(COLLIN)	Distance Indicator				U-21A
405-077-802-101	Transducer				OH-58D
406-074-015-101	Power Supply				OH-58D

## AVIONICS SYSTEMS AND SUBSYSTEMS MANAGEMENT DATA (Continued)

TYPE #	NOMENCLATURE	NSN	LIN	SOS	COMPONENT OF
406-075-802-101	Static Inverter				OH-58A/D
406-075-807-101	Bate Charger	6130-01-171-9161		B17	OH-58D
406-077-109-101	HF Antenna	59801-197-9237		S9E	ANIARC-199
406-077-801-101	Audio Distribution Unit	5821-186-8804		B16	OH-58AJD
406-077-805 101	Antenna Coupler	58211-187-7803		B16	OH-58AD
406-077-817-101	Com/Homing Antenna	5985-01-197-9347		S9E	OH-58A/D
406-077-822-101	VHFFM Bandpass Filter	5915-01-193921		S9E	OH-58A/D
406-377-003-001	Video Tape Recorder				OH-58D
406-577-010-101	VHF AM/Hi Fm Corn (Fin) Ant				OH-58AD
406-947-307	Control Display Sys (CDS)				OH-58D
499-0099	Audio Control Panel				RC-12
50-345615601	HF Antenna				U-21A
50-34576-1	Main Inverter				U-21A
50-345764-2	Standby Inverter				U-21A
50-345764-5	Main Inverter				U-21A
50-345764-6	Standby Inverter				U-21A
50-345772	Mount				ANARC-&102
50-345812	ADF Sense Antenna				U-21A
50-346063	HF Antenna				U-21A
500ED	Attitude				UV-18A
50345974	Radio Magnetic Indicator				U-21A
550512	Speed Bial Assembly	1610-00-942414		B17	OV-1D()
56B3C	Temperature Sensor				OH-58AD
570-074-010-11	Sensor Amplifier	5826-148-5980		B16	AH-1()
570-074-060-1	Control Panel	5821-00-971-6129		B16	AH-1()
570-074-131-3	Pylon Compensator	5826-16-3044		B16	AH-1()
570-074-3153	Rate Gyro Sensor	6615-01-067122		B16	AH-1()
614E-42A	Auto-Pilot Mode Selector Panel				RC-12
7-211 D10007-13	Gyro Assy Pitch Rate				AH64A
7-21 D10007-15	Gyro Assy Pitch Rate				AH-64A
7-211D10007-17	Gyro Assy Pitch Rate				AH-64A
7-311122630	AMFM Antenna				AH-64A
7-311C 10025	Video Display Unit Assy				AH-64A
7-311C10025-5	Video Display Unit Assy				AH-64A
7-311C10025-7	Video Display Unit Assy				AH-64A
7-311G00014	Sense Antenna				ANARN-89B
7-313200030	Lower IFF/UHF Antenna				AN/APX- 100V),
AH-64A					
7-313200030	Antenna - UHF AMa Band				
7-313200031	AM/IFM Antenna				AH-64A
7-3132000703	Audio Junction Unit				AH-64A
7-3132000707	Audio Junction Unit				AH-64A
7-319510400	Video Recorder Panel Assy				AH-64A
7-319510400-3	Video Record Panel Assy				AH-64A
7-319510400-5	Video Record Panel Assy				AH-64A
7-319800002-3	Symbol Generator				AH-64A
7-319800002-7	Symbol Generator				AH-64A
7-511 B 1111 6-1	Battery Charger				
7-51 1B1202033	Indicating Light Panel				

## AVIONICS SYSTEMS AND SUBSYSTEMS MANAGEMENT DATA (Continued)

TYPE #	NOMENCLATURE	NSN	LIN	SOS	COMPONENT OF
7-513200001-5	Control Panel Communications				
7-513200003-13	Support Plate Assy				
7-513200004-9	Component Plate				
7-513200010-1	Interface Unit Communication				
7-513200011-1	CPG/Pilot Emergency IFF/Guard				
7-514200034-1	Inertial Navigation System				
70400-06712-042	Stabiator Position Sensor	1560-01-137-3519		B17	UH-60AEH-60A
70600-01010-104	Antenna Coupler				UH-60A/EH-60A
70600-01011-113	FM Low Pass Filter				UH-60AEH-60A
70600-01019-104	FMAMADF Comm Antenna	59801-129-7463		B17	UH-60AEH-60A
70600-06001-103	Antenna	15601096-1036		S91	UH-60OAEH-60A
70600-06002-105	Comm Antenna	59801086-0057		S9E	UH-60AIEH-60A
70901-02002-106	Stick Position Sensor	1680-01-128-1763		B16	UH-60AIEH-60A
709410	Bate Charger				AH-64A
709410-1	Batter Charger				AH-64A
718 U-5	HF Command Set				RC-12
718U-5	Radio Set				UV-18A
7564978-021	INS Control Display Unit				RC-12
7883470-011	Mode Selector Unit				RC-12
8001671-901	Indicator Assy	1260-01-165-6369		B64	40-947-07
801000152	Mount				AN/ARN-102
8500056	Key Board Assy	1260-01-1704056		B64	406-947-307
8500088-901	Master Controller Processor Unit	1260-01-166-5577		B64	406-947-307
8500233-901	Remote Fq Display	1260-01-169-8775		B64	406-947-307
91-3400451	HF Antenna				U-21A
A-2	Amplifier	6605-0-487-4769		B16	J-2
AAU-31A	Altimeter				UH-60/EH-60A
AAU-3A	Encoding Altimeter	6610-00-115-2405		B17	UH-60AIEH-60A
ADF-60	Automatic Direction Finder				RC-12
A800	Altitude Select Controller				RC-12
ALT-50	Radar Altimeter Set				UV-18A
AM-2853/ASN	Amplifier				AN/ASN-33
AM-291MPN-22	Electronic Control Amplifier	5841-0653-1683		B16	AN/APN-22
AM-3209/ASN	Servoamplifier	6110-00-678-8507	A49929	B16	U-21A, UH-1,AH- I()
AM-3624/ARA-50	Amplifier				ANARA-50
AM-4464/AAS- 14A	Preamplifier	5850-00-930-0150		B16	AN/AAS-14
AM859( )ARN-89	Amplifier				ANARN-89
AM4859A/ARN- 89	Amplifier	5826-00-0014074		B16	AN/ARN-89
AM862/ASN-76	Electronic Control Amplifier				ANSN-76
AM-6639/ALR46(	Amplifier-Detector	586 00-7824447		B16	AN/ALRA6M
AM-7104/A	Elec Control (Stabilator)				UH-60AEH-60A
AM-7105( )/A	Synchro Signal (SAS) Amplifier				UH-60A/EH-60A
AM-7106( )A	Control Amplifier				UH-60A/EH-60A
AM-7189/ARC	Amplifier	5821-01-1455102		B16	UH-60A/EH-60A
AM-7189A/ARC	RF Amplifier				OH-58AD
AM-7189A/ARC- 201	Amplifier, Power VHF/FM				AN/ARC-201
AM-7201	Amplifier Coupler	5821-01-172-2880		B16	UH-6M0EH-60A, ANARC-199
ANAA-14A	Infrared Detecting Set	5850-00-999-1112	DO 1998	B16	OV-1D()

## AVIONICS SYSTEMS AND SUBSYSTEMS MANAGEMENT DATA (Continued)

TYPE #	NOMENCLATURE	NSN	LIN	SOS	COMPONENT OF
ANAS-24	Infrared Detecting Set	5850-00-178429	G01940	B 16	OV-1D()
ANAAS-32	Airborne Laser Tracker Set	58601-073841		B16	AH-1()
AN/ADR-6(V)	Aerial Radiac Set				OV-1D()
ANMJA-5	Propeller Synchrophaser Set	1610-00-798429		B6I	OV-ID()
AN/AKT-18	Radar Data Transmitting Set	5841-00-788-5223	Q13862	B16	
ANAKT-18A	Radar Data Transmitting Set	5841-01-018-2869	Q13862	B16	
AN/KT-18B	Radar Data Transmitting Set	5841-01-070-4408	Q13862	B16	
AN/ALQ-133	Countermeasures Receiving Set	5865-00-134-2601		B16	OV-1D()
AN/ALQ-136(V)	Set				
ANALQ-136(V)1	Countermeasures Set	5865-01-127-6880	C20404	B16	AH-1()
ANALQ-136(V)5	Countermeasures Set	586501-186-9130		B16	AH-64A
AN/ALQ-144	Set				
ANALQ-144(V)1	Countermeasures Set	58601-037-1334	J01713	B16	UH-60/ EH-60A
AN/ALQ-144M3	Countermeasures Set	586501-098-7105	J01781	B16	AH-64A, AH- 1)
AN/ALQ-147AM1	Countermeasures Set	586S01-077-6320	C20695	B16	OV-1D()
ANALQ-147A(V)2	Countermeasures Set	5865-01-077-6321	C20763	B16	OV-1D()
ANALQ-156(M)1		5865-01-1455197	C20831	816	CH-47D
ANALR46(V)	Radar Signal Detecting Set	5865-00-091-8623		B16	OV-1D()
ANAPN-158()	Weather Radar Set				U-21A, AN/ASN-64
AN/APN-171A)1	Radar Altimeter Set	5841-00316-0362		B16	
AN/APN-209	Set				
AN/APN-209(	Radar Altimeter Set				AH-1(), OH-58A D
) (V)1					
AN/APN-209(	Radar Altimeter Set				UH-60EH 0A
) (V)2					
AN/APN-	Radar Altimeter Set				CH-47D
209(B)(V)2					
ANAPN-209B(V)3	Radar Altimeter Set	5841-01-145-9991		B16	OH-58D
ANAPN-209B(M4	Radar Altimeter	5841-01-156-0457		B16	AH-64A
ANAPN-215	Weather Radar Set				RC-12
AN/APN-215(V)1	Weather Radar Set	5841-01-093-1493		B16	U-21A
ANMAPN-22	Radar Altimeter Set	5841-00505-0751		B16	Q13907
ANAPR-209(	Radar Altimeter Set				UH-1
) (V)()					
AN/APR-39	Radar Signal Detecting Set				OH-58ND
ANAPR-39V)M()	Radar Signal Detecting Set				OV-1D()
AN/APR-39(V)1	Radar Signal Detecting Set	5841-01-0237112	D03091	B16	AH-1(), OH-58AD, UH-60ONEH40A, UH-1, U-21A, CH- 47D, AN/APN-209
AN/APR-39(V)2	Radar Signal Detecting Set	5841-01-054-8540	D03682	B16	UH-60EH-60A
AN/APR44()	Radar Warning Set	5841-01-047-5398	R44571	B16	UH-60AEH-60A
ANAPR-44(V)3	Radar Signal Detecting Set	58411-047-5400	R44639	B16	OV-1D(), U-21A
ANAPS-94C	Radar Surveillance Set	5841-00-952-8855	E56851	B16	
AN/APS-94D	Radar Surveillance Set	5841-00-179-8503	E56851	B16	
ANAPS-94F	Radar Surveillance Set	5841-01-0703859	E56851	B16	
ANAPX-100	Transponder Set				UH6 EH-60A, RC- 12, AH-I1()
AN/APX-100(V)	Helicopter IFF System				AH-64A
AN/APX-72	Transponder Set	58900-8790211 U- 2A,	X22568	B16	OH-58A D,
					O-1D(), AH-1(), UV- 18A, UH-1
ANARA-50	UHF Direction Finder Set	5826-00-983-1689			FHZ U-21A
AN/ARC-102	Radio Set	5821-00548255 Q25978		B16	U-21A, CH-47D, UH-1

## AVIONICS SYSTEMS AND SUBSYSTEMS MANAGEMENT DATA (Continued)

TYPE #	NOMENCLATURE	NSN	LIN	SOS	COMPONENT OF
AN/ARC-114()	Radio Set				UH-1, OH-58A/D, OV-1 D(), UV-18A, AH-1()
AN/ARC-115()	Radio Set				UH-1, OV-1 D(), AH-1(), OH-58MD, UH-60AIEH-60A
AN/ARC-115A(V)I	Radio Set	5821-01-057037	Q25991	B16	
AN/ARC-116()	Radio Set				A/ARC-51BX,
AH-1()					
AN/ARC-131	Radio Set	5821-00-937-4686	Q26007	B16	OV-1D(), AH-1(), U-21A, UH-1
ANARC-134	Radio Set	5821-00-937-1086	Q26010	B16	AH-1(), OV-1D(), UH-1, U-21A
ANARC-164	Radio Set				AH-1(), RC-12, UH-60AEH-60A, AH-64A, RC-12
ANARC-164(V)12	Radio Set	5821-01-071-5624	Z54264	B16	AN/USQ-61A,
AN/AKT-18B					
AN/ARC-186	Radio Set				UH-60AEH-60A, RC-12
AN/ARC-186M	VHF/FM System				AH-64A
AN/ARC-199	Radio Set	5821-01-167-8296		B16	UH-60NEH-60A, OH-58ND
AN/ARC-201()	Set				
AN/ARC-201 (V)	SINCGARS				UH-60AEH-60A, RC-12
ANMRC-201AM	IFM SINCGARS Radio System				OH-58A/D
AN/ARC-51BX	Radio Set	5821-00082-3926	Q24882	B16	AH-I(), UH-1, AH-1(), U-21A, OH-58A/D, OV- D()
AN/ARC-54	Radio Set	5821-00-082-3598	Q25019	B16	OV-1D(), U-21A, UH-1, AH-1()
AN/ARC-73A	Radio Set	5821-00-752-0546	Q25567	B16	UH-1
AN/ARN-102	Navigation Set CACAN)	5826-00491-7159		B46	U-21A
AN/ARN-103(V)	Navigation Set TACAN)				U-21A
AN/ARN-103M1	Navigation Set TACAN)	5826-00-167-1027	A23371	B16	OV-1D()
AN/ARN-123	Receiving Set				OH-58AD
AN/ARN-123()1	Receiving Set	5826-01-16-2762		B16	AN/ARN-123, CH-47D
AN/ARN-123(V)3	Receiving Set	582-01-058-6800		B16	AH-I(), UH-1
ANARN-123(V)4	Receiving Set	5826-01070067		B16	UH-60AH-60A
ANARN-124	DME Set	5826-01-063-6605		B16	UH-1
ANARN-136(V)	Inertial Navigation System				RC-12
AN/ARN-137(V)	Avionics TACAN System				RC-12
AN/ARN-30E	Receiving Set OR)	5826-00-892-1056	R36946	B16	UH-1, OV-1D()
ANMRN-50	Direction Finder Set				UH-1
ANRN-59	Direction Finder Set				OV-1D()
AN/ARN-82( )	Receiving Set (VOR)				OV- D(), UH-1
ANARN-83	Direction Finder Set	5826-00-912-4415	G11697	B16	AH-1(), U-21A, OV-1D(), UH-1
ANARN-89()	Direction Finder Set				OV-1 D(), OH-58A/D
AN/ARN-89B	Direction Finder Set	5826-01-021-3289	GI1703	B16	AH-64A, AH-1(), UH-
60A/EH-60A					
AN/ART41A	Transmitter	5821-00-946-9838	X19074	B16	AN/USQ-61
ANASC-15	Communications Console	5895-00-1434194	E58601	B16	UH-60AEH-60A
AN/ASN-128	Doppler Navigation Set	5841-01-064-9738		B16	UH-60AEH-60A, AH-1(), AH-64A, CHJ7D

## AVIONICS SYSTEMS AND SUBSYSTEMS MANAGEMENT DATA (Continued)

TYPE #	NOMENCLATURE	NSN	LIN	SOS	COMPONENT OF
AN/ASN-137	Doppler Navigation Set	5895-01-098-7378		B16	AH-64A, OH-58A D
AN/ASN-143	Heading Altitude Reference System	6605-01-161-3919		B16	AH-64A
AN/ASN-143(V)3	Attitude Heading Reference System				OH-58D
ANASN-157	Doppler Navigation System				
AN'ASN-3	Navigation Computer Set	5826-00-446-1409	E78373	B16	OV-1D()
ANASN43	Gym Compass Set				OH-58A/D, CH-47D, AH-I(), U-21A, UH-1, UH-60AEH-60A, OH-58A/D
AN/ASN-64	Doppler Navigation Set	5841-00-788-1637	G37435	B16	OV-ID()
ANASN-76	Attitude Heading Reference Set	6605-00-933-4281	B00529	B16	OV-ID()
ANSN-6	Inertial Navigation Set	6605-00-179-8441	M95191	B16	U-2A, OV-1D()
ANASW-12MVI2	Automatic Flight Control System	6615-00-771-4633	B03393	B16	OV-ID()
ANAVR-2	Laser Detecting Set	5841-01-110-6665		B16	UH-60NEH-60A
ANAYA-10	Data Annotation System	5895-00-235-4520		B16	OV-1D()
		A23058			
ANAYA-3	Doppler Computer Group	5841-00-788-8631		B16	AN/APN-168()
ANUSA-23	Recorder Group	5850-00-926-0164		B16	OV-1D()
ANUSQS-1	Digital Data Set	7035-00134-2602	G10721	B16	
AN/USQ-61A	Digital Data Set	7031-01-100-0968	G10721	B16	
AP-106	Automatic Flight Control System				RC-12
AP-106	Auto Pilot				UV-18A
AS-1048PS-94	Antenna Assembly	5841-00-707-2313		B16	AN/APS-94C
AS-1108/ARC	FM Corn Antenna				AN/ARC-131
AS-1304/ARN	VOR Antenna	5826-007394479		B16	AH-1(), UH-1,
					OH-58D
AS-1520( )APN-158	Antenna				AN/APN-158
AS-1703/AR	FM Comm Antenna	5985-00-082-3991		S9E	U-21A, UH-1,
					OV-ID()
AS-1766/( )ASN-168	Antenna				AN/APN-168( )
AS-1858/APN-171(V)	Antenna	5841-00-899-0817		B16	AN/APN-171
AS-1863/ARN-83	Loop Antenna	5826-00-985-9173		B16	ANARN-83
AS-1869IARN	ADF Sense Antenna	5826-00-941-2073		B16	AH-I()
AS-1922/ARC	FM Homing Antenna				U-21A, CH-47D
AS-2042/ARC	FM Homing Antenna	5826-00-087-3114		B16	OV-1D()
AS-2108()/ARN-89	Loop Antenna				ANARN-89
AS-2108A/ARN-89	Antenna, ADF Loop	5826-00001077		B16	AN/ARN-89B
AS-2199PS-94D	Antenna	5841-00-179-8430		B16	ANAPS-94D
AS-2285/ARC	FM Com Antenna	5821-00-054-6374		B16	
AS-2485/ARC	FM Com Antenna	59800-168-8383		B16	U-21A
AS-2486/ARC	Homing Antenna (LH)	59800-134-5394			OH-58D
					ANRC-S51BX
AS-2487/ARC	UHF Antenna Anna				OH-58A/D
AS-2595/APN-194(V)	Antenna	5841-181-0330		B16	AN/APN-209
AS-2670/ARC	Homing Antenna (RH)	5985-00-134-5393		S9E	OH-58A/D
AS-2890/APR-39(V)	Blade Antenna	5985-01-026-3927		S9E	AN/APR-39
AS-2891PR-39(V)	Right Spiral Antenna	5985-01-026-3926		S9E	AN/APR-39
AS-2892/APR-39(	Left Spiral Antenna	59801035-5970		S9E	AN/APR-39
AS-2994ALQ-133	Spiral Antenna	OR-140/ALQ-133			
AS-3007/ALQ-136	Antenna	5864-01-120297		B16	AN/ALQ-156
AS-3149ALQ-156(V)	Antenna	5985-01-134161			B16 AN/ALQ-136



## AVIONICS SYSTEMS AND SUBSYSTEMS MANAGEMENT DATA (Continued)

TYPE#	NOMENCLATURE	NSN	LIN	SOS	COMPONENT OF
AS-3188RN	GS Antenna	5985-029-7543		B16	OH-58AD, ANIARN- 123, AH-1()
AS-3204/ARC	VHF Antenna	5985-01-035-0809		B16	AH-1()
AS-3205/ARC	FM Homing Antenna	5985-01-031-7155		S9E	AH-1()
AS-3266/APR-44(	Antenna	5985-01-047-2770		S9E	ANAPR-44
AS-3322/APS-94F	Antenna	5985-01-062-8174		B16	AN/APS-94F
AS-3350/ARC	FM Homing Antenna (FH)	5985-01-115-9795		S9E	UH-1
AS-3351/ARC	FM Homing Antenna (LH)	5985-01-115-9796		S9E	AN/PN-215
AS-3451/APN-215(	Antenna				AN/PN-215
AS-3522	Homing Antenna (LH)	5985-01-124-7297		S9E	UH-60AEH-60A
AS-3523h%	FM Homing Antenna (RH)	5985-01-126-2946		S9E	UH-60AEH-60A
AS-3524A	UHF Antenna	5985-01-124-7298		S9E	ANWARC-14, UH-0AIEH-60A
AS-3525h%	MB Antenna	5985-01-124-7299		S9E	UH-60AEH-60A
AS-3526	VOR Antenna	5985-01-1340110		B16	UH-60 H-60A
AS-3527A	GS Antenna	59801-125-6780		S9E	UH-60AEH-60A
AS-3528A	IFF Antenna	59801-124-1538		B16	UH-60AIEH0A
AS-3586/APN- 209A(V)M	Antenna				AN/APN-209B
AS-3710	Antenna, Receiving				AN/ALQ-144M3
AS-3711	Antenna, Xmitting				AN/ALQ-144(V)3
AS-3831/APN-209	Antenna				AN/APN-209
AS-3933/ARN-149	Antenna				AN/ARN-149
AS-3939/ARC	Antenna VHFIFM				AN/ARC-201
AS4278/ARC	VHF/FM Antenna				AH-64A, AN/ARC-186
AS-580ARN	VOR/GS Antenna				U-21A
AS-909/ARA-48	Loop Antenna				AN/ARA-50
ASB-110	Radb Set				UV-18A
ASN-149(B)-3	NA				RC-12
AST-1503A	Spiral Antenna	58601061-263		FLZ	AN/ALR46
AT-1108/ARC	VHF/UHF Antenna	5985-00-892-0895	A71849	B16	U-21A,UH
		-1,			OV-1D(), AH-I()
AT-134A/ARN	MB Antenna	5826-00-284-8314		FLZ	OV-1D()
AT-256( )/ARC	UHF Antenna				CH-47D
AT-256A/ARC	UHF Antenna	5985-00-217-0457		S9E	AH-I()
AT-326/ARN	GS Antenna	5985-0089-2475		S9E	CH-47D, OV-1D()
AT-450/ARC	Data Antenna	598500-545-6235		B16	
AT-640( )/ARN	MB Antenna				OH-58D, U-21A,
AT-740	Antenna	5985-00-673-5831		S9E	AH-I1 (), CH47D
AT-741( )/A	Upper IFF Antenna				AN/APX-100M, OH-58AD, OV- 1D(), UH-1
AT-741BA	Antenna (Upper	5985-00-106-0906		S9E	AH-I()
AT-780/ARN	Loop Antenna	5826-00553-5924		B16	ANRN-9
AT-884( )/APX	Antenna (Lower				AH-I(), UH-1, U-21A. CH-47D, OH-58AD, UV-18A
AV434-2	Upper IFF Antenna				AN/APX-100M
AWIUYYK-23	Computer				OK-270/ALQ-133
BA-141	Pilot's Altimeter Indicator				RC-12

## AVIONICS SYSTEMS AND SUBSYSTEMS MANAGEMENT DATA (Continued)

TYPE #	NOMENCLATURE	NSN	LIN	SOS	COMPONENT OF
BB432BM UH-1	Bate	6140-01-134-2277		B16	CH47D, OV-ID(),
BB476M	Battery	6140-01-061-2818		B16	OH-58AID
BB-507U	Battery	611-0 1343136		B16	OK-270/ALQ-133
BB-558/A	Battery	6140-00-1868802		B16	OH- <sup>58</sup> AID
BB-676A	Battery	6140-228-447		B16	OH-58AID
BB-708/U	Batter	614001-0324285		B16	OK-279M
BB-716/A	Batter	6140-01-088134		B16	UH0A/EH-60A
BPF40-03P	VHF Band Pass Filter	591004504678		N32	AH-1(), CH-47D
BPF40-03P	VHF Band Pass Filter				OH-58AD
C-10048/ARN-123( C-10131/ALQ-156M	Control Control-Indicator	582s01-022263 58901-1134163		B16 B16	ANARN-123 ANALQ-156
C-10280ALQ-144	Operators Control Unit	58601-037-1345		B16	AN/ALO-144
C-10387/APRJ44)	Control	5841-01-048-0705		B16	ANAPR-44
C-104112/APR-39( C-10412A/APR-39M2	Control Control				ANAPR-39 ANAPR-39
C-10414)M3ARC	Control Unit Communication	58901-168-7154		B16	AH-64A, OH-58AD
C-10414/ARC	Control Unit Communication	58901-1300		B16	AH-64A
C-10533APX-100	Control	58901-0634021		B16	ANAPX-100
C-10546/AKT-1 8B	Control	AN/KT-18			
C-10547/ARC-164)	Control	5821-01-070-4433		B16	AN/ARC-164
C-10604M6/ARC-186	Control	5821-01-0742245		B16	AN/ARC-186
C-0698ALQ-147A(V)	Control Unit	586010774936		B16	ANALQ-147A(V)1
C-10909( )/A	Flight Control Panel				UH-60AIEH0A
C-10998 A	HSINSI Mode Select Panel	58901-110-2198		B16	UH-60A/EH-60A
C-10999 A	CSI Mode Select Panel	58901087-1729		B16	UH-60AEH-60A
C-11038/A	Retransmission Control	5895-01-088-9244		B16	UH-60AEH-60A
C-11265	Control Panel				RC-12
C-11466/ARC-201	Control				AN/ARC-201
C- 1746(V)4/ARC	Control Unit Communication				AH-64A
C-12192/ARN-149( C-14A	Control Compass System				AN/ARN-149M UV-18A
C-1611()/AIC	Intercom Control				U-21A, UH-1,
OV-ID( ), AH-I()					
C-2275/ARN	Control	5826-088-6030		B16	ANARNS9
C-2996/APS-24	Radar Set Control				AN/APS-94C
C-2997/APS-94	Recorder Control	5841-1-9894		B16	ANAPS-94C
C-3106()/ASW-12)	Auto Pilot Attitude Control				ANASW12
C-3107( )ASW-12	Auto Pilot Flight Controller				ANASW-12
C-3108( )/ASW-12	Attitude Reference Control				ANASW12
C-3436/ARN-30E	Control				AN/ARN-30E
C-3436ARN-3 0E	Control	5826-00-892-1061		B16	AARN-30
C-3835/ARC-54	Control	5821-00-082-3599		B16	AN/ARC-54
C-3940/ARC-94	Control	58214-O 918405		B16	AN/ARC-/02
C-4074/ARC-73A	Control	5821 -0752-12 08		B16	AN/ARC-73A
C-4209/ARC	Control	5821-00-889-4177		B16	UH-1
C4881/APN-158	Control	5841-00-082-3540		B16	AN/APN-158
CJ99	Audio Control Panel				RC-12
C-6280A(P)MPX	Control	5895-00894403		B16	AN/APX-72

## AVIONICS SYSTEMS AND SUBSYSTEMS MANAGEMENT DATA (Continued)

TYPE #	NOMENCLATURE	NSN	LIN	SOS COMP ONEN T OF	
C-62871ARC-51BX	Control	5821-00-082-3928		B16	AN/ARC-51BX
C-6347(MOD)SN	Compass Control				OH-58AID
C-6347MSN	Compass Control				AH-I()
C-6533/ARC	Intercom Control	58900-895175	E95064	B16	AH-I(), UH-1, OH-58AD, UH-60EH-60A, OV-1D(), UV-18A, CH-47D / AN/AYA-3YA-3
C-6586( )	Control Indicator				
C-65988AR	Control	5821-00-985-8927		B16	ANAKT-18A
C-6822/AAS-14A	Control	5850-00-930-0156		B1	OA-7825/AAS-14A
C-6873B/ARN-82	Control	5826-00-149-1399		B16	AN/ARN-82
C-6899/ARN-83	Control	5826-00-985-9174		B16	AN/ARN-83
C-7088/ARC-131	Control				ANARC-131
C-7197/ARC-134	Control	5821-00-905-9935		B16	AN'ARC-134
C-7392/ARN-89	Control	5826-00-883-1622		B16	ANRN-89B
C-7392ARN-89	Control	5826-00001-076		B16	ANARN-89
C-7645/APS-94D	Radar Set Control	5841-00-1434337		B16	AN/APS-94D
C-7645/APS-94F	Radar Set Control				ANAPS-WF
C-8021/ASN-75	Compass Control	66000-089-8443		N32	ANSN-75
C-8021A/ASN-75	Compass Control	66000-60-8158		B16	ANASN-75
C-8099/ASN-76	Controller	6605-00-933280		B16	ANASN-76
C-81571ARC	Control-indicator	5821-00-926-7230		B16	AH-1(), CH-47D, UH-60NEH-60A, UH-1, OV-1D() ANADR-
C-8163/ADR-6	Control/alarm Panel				
C-8180/AAS-24	Indicator Control				OK-149/AAS-24
C-8181AAS-24	Built In Test Control				OK-150/AAS-24
C-8182/AAS-24	Receiver Control				OK-149/AAS-24
C-8183/AS-24	Velocity One Height Control				OK-149/AAS-24
C-8338/AYA-10	Control Monitor	5895-00-134-6462		B16	AN/AYA-10
C-8340/A	Altitude-Speed Ratio Control	6720-00406-4649		B16	LS-92A
C-854ADR-6	Computer Power Supply				ANDR-6
C-8968AmRN-103M	Control	58200-160-6535		B16	AN/ARN-103
C-9325APR-39(V)	Control				ANMAPR-39
C-9326/APR-39)	Control	5841-01-020378		B16	AN/APR-39
C-9536/ALQ-133	Power Supply Control	58601-024-0429		B16	OR-140/ALQ-133
C-9537/ALQ-133	Monitor Controller	58601-024-3845		B16	OK-270ALQ-133
C-9538/ALQ-133	Control-Indicator	58601024-3897		B16	OK-270ALQ-133
C-9576/ALQ-144	Operators Control Unit				AN/ALQ-144
C-9609A	Voltage Control				OK-279i
C-9641/AAS-32	Control				AN/AAS-32
C-9963/AKT-18A	Control	5841-01015-7753		B16	AN/AKT-18A
C-IV-E	INS Control Display Unit				RC-12
C6SC-163-29	Airspeed Indicator				UV-18A
CM-145( )APS-94	Signal				ANAPS-94C
CM-374/APS-94D	Radar Signal Processor	5820-00-179-8504		B16	ANAPS-94D
CM440/APR-39	Comparator	5841-01-024-7739		B16	AN/APR-39
CM-44ALR-46)	Signal Processor	5865-00-360-5362		B16	AN/ALR-46
CM446/ALQ-133	Phase Comparator	5865-01-024-0415		B16	OR-140/ALQ-133
CM-447/ALQ-133	Signal Comparator	5865-01-024-0416		B16	OR-140/ALQ-133

## AVIONICS SYSTEMS AND SUBSYSTEMS MANAGEMENT DATA (Continued)

TYPE #	NOMENCLATURE	NSN	LIN	SOS	COMPONENT OF
CM-480APR-39(V)	Comparator	5841-01-054-8541	D03682	B16	ANAPR-39
CM-481/APS-94F	Signal Processor	584-01-073860		B16	ANAPS-94F
CM482ARC-186	FM Homing Unit	5821-01-062-0961		B16	AN/ARC-186
CM-492ARC-186(V)	FM Homing Unit	5821-01-108-1443		FLZ	AN/ARC-186(V)
CM-493/AVR-2	Interface/Comparator	5841-01-1154382		B16	ANAVR-2
CN-1072/AJN UH60NEH-60A	Compensator	66000-591-7147			S9G DT-173IJN,
CN-1151ASN-76	Displacement Gyro	661&00-911962			B16 ANASN-76
CN-1314/A	Displacement Gyro	66100-453-5670			B16 AH-(), UH-60A/EH-60A
CN-1497/A	Displacement Gyro	6615-01-031-7270			B16 AH-1()
CN-1552/A	Rate Gyro	5895-01-11S083			B16 UH-60AEH-60A
CN-1564/ CN405/ASN	Rate Gyro Compensator	58901-11-1082 66000-487J4773			B16 UH-G60IEH-0A N32 AN/ASN43,U-21A, J-2
CN-601( )ASW- 12(V)	Displacement Gym				ANASW-12
CN-770/AAS-14 CN-811 ( ) )/ASN;9000F;	Displacement Gyro Displacement Gyro	66100-892-1687		B16	OA-7827/AAS-14A CH7D
CN-998( )ASN	Directional Gym				SBU-6 ANMSN43
CP-125ASN-128 CP-1398	Computer Display Unit Azimuth Computer	5841-01-061918		B16	AN/ASN-128 RC-12
CP-1446	Computer	7021-01-119-7180		B16	UH-60AH-60A
CP-1470A	CS Processor	58901-109-6405		B16	UH-60AEH-60A
CP-1516/ASQ	Peripheral Interface Unit (ATHS)				OH-58AID
CP-1597/APR-39AM	Processor Digital Radar Warning				ANAPR39
CP-583MSN	Computer	58200-441407		B16	ANASN33
CP-941ASN-86 CU-1658( )/A	Navigation Computer HF Antenna Coupler	5826-00-178437		B16	AN/ASN-86 UH-1, CH-47D, O-ID(), U-21A
CU-2104/ALQ-133 CU-2284/A	Power Divider Antenna Coupler	58601-0240448 59801-112741		B16 B16	OK-270/ALQ-133 UH-60AIEH-60A
CU-2305/ARC-199 UH-60AEH-60A CU-2481/ARC	Antenna Coupler Diplexer	59801-1 70800			ANIARC-199,
CU-792/ASW-12( CU-865/ASN CU-942( )ARC	Navigation Coupler Indicator Coupler FM Antenna Coupler	5826-00441406		B16	AARC-201 ANASW-12 OV-1D() O-1 D( ), U-21A, UH-1
CU-991/AR	HF Antenna Coupler	59800-296-2081		B16	UH-1
CV-1275/ARN	Converter	5826-00-846-2934		B16	UH-1
CV-2052/AAS-14A CV-2094/A	Signal Data Converter Signal Data Converter	5850-00-93G 0153 5841-00-941-5519		B16 B16	OV-1D() AN/AKT-18
CV-2647/AYA-10 CV-265A/RN-30A	Signal Data Converter Converter	5895235-4519 5826-00-5050645		B16 B16	ANAYA-10 ANARN30
CV-2666/AAS-24 CV-2924(P)ARN- 103(V)	Video Converter Signal Data Converter	5850-466-0153		B16	AN/AAS-24 ANAIRN-103
CV-3171/ALQ-133 CV-3174/ALQ-133	Converter-Processor Frequency Converter	5860128239 586-501-024-0417		B16 B16	OR-140ALQ-133 OR-140/ALQ-133
CV-3338/ASN-128 CV-3395ALQ-133	Signal Data Converter Converter-Processor Group	5841-01-841 586501-061-6776		B16 B16	AN/APN-128 OR-140/ALQ-133

## AVIONICS SYSTEMS AND SUBSYSTEMS MANAGEMENT DATA (Continued)

TYPE#	NOMENCLATURE	NSN	LIN	SOS	COMPONENT OF
CV-3396ALQ-133	Converter-Processor Group	5865-01-060-9555		B16	OR-140/ALQ-133
CV-3669/ASN-137	Signal Data Converter	5895-01-099-6161		B16	AN/ASN-137
CV-3669A ASN-137	Signal Data Converter				AN/ASN-137
CV-3701/A	Power Converter	589-01-110-2223		B16	UH-60JEH-60A
CV-3885/ARC-201	Data Rate Adapter				ANARC-201
CW-854/APN-168	Radome				AN/APN-168()
CX-11271/AAS-14A	Cable Assembly	5995-00-926-0768		B16	OA-7825/AAS-14A
CX-11272/AAS-14A	Cable Assembly	5995-00-926-0767		S9G	OA-78 25/AAS-14A
CY-140A/APN-22	Receiver-Transmitter Housing	5841-00-543-1329		FLZ	AN/APN-22
CY811 /U	Magazine Case	5850-00-930-0155		B16	AN/USA-23
CY4815/AAS-14A	Equipment Cabinet	5850-00-923-2468		B16	OA-7825/AAS-14A
CY-6606/AAS-24	Equipment Cabinet				OK-150AAS-24
CY-6665/AAS-24	Film Magazine Case	6750-00466-2062		B16	AN/AAS-24
CY-7410/ALQ-133	Intercept Receiver Pod	1680-01-022-9242		B16	OR-140/ALQ-133
CY-7611/ALQ-144	Transit Case	58601-037-1325		B16	AN/ALQ-144
CY-8515/ARC-201 D-2218	Battery Box Tactical Air Navigation TACAN)				ANARC-201 RC-12
DF-203	Automatic Direction Finder				RC-12
DF-206	Direction Finder Set				UV-18A
DF-301	Indicator				UV-18A
DT-173/AJN	Magnetic Azimuth Detector	66000-632-0688		B16	OV-1D()
DT-309/AJN	Detector (Flux Value)	6605-00-585-0295		B16	DT-173/AJN
DT-32r ADR-6	Detector	6665-00-926-4382		B16	AN/ADR-6
DT-376/ASN	Detector (Flux Value)	6605-00179-2256		B16	DT-173/AJN
DY-150/ARN	Dynamotor	6125-00-542-6363		B16	AN/ARN-50
DY-86/ARN-30	Dynamotor				UH-1
E551-11220-6	Battery				U-21A
ELT-10	Emergency Locator Transmitter				RC-12
ES-D-221604	Mount				AN/APR-39
F-1263/A PN-171AM	Band Suppression Filter				AN/APN-171
F-1503/APR-44M	Low Pass Filter	59101088-6773	B16		AN/APR-44
-1522/A	VHF Band Pass Filter	5915-01-127-6930	B16		UH-60/EH-60A
FD-112V	Flight Director				UV-18A
FM 10-30-1	FM Comm Antenna				UH-1
GBU	Control Display Unit				RC-12
GH-14	Co-Pilots Gyro Horizon Indicator				RC-12
GNS-50A	Global Pos Nav Set				UV-18A
H-14	Automatic Flight Control Sys				U-21A
H-250/	Troop Commander Handset	59600-043-3463 K14882 B16			UH-60AEH-60A
H-54261-1	Filter, High Pass				AH-64A
HD-1067/APS-94F	Pressurization Set	5840-01-082-4065		B16	A N/APS-94F
HD61 5/ARC-51 BX	Cooler	5821-00-082-3701			AN/ARC-51BX
HD-723/AAS-14A	Cryogenic Refrigerator	58500-999-1115		B16	AN/AAS-14A
HD-841/AAS-24	Rotary Compressor	585000-660155		B16	AN/AAS-24
HPF40-01T	UHF Hi Pass Filter	5915-00450677		N32	AN/ARC-51BX,
AH-I (), CH47D					
HS4261	High Pass Filter				
ICN40	Distance Measure Set	UV-18A			
ID-1003/ARC	SWR Indicator	66200-892-5223		B16	ANARC-S1BX

## AVIONICS SYSTEMS AND SUBSYSTEMS MANAGEMENT DATA (Continued)

TYPE #	NOMENCLATURE	NSN	LIN	SOS	COMPONENT OF
ID-1282()/AYA-3	Velocity-Steering Indicator				AN/AYA-3
ID-1345AIPN-171(V)	Height Indicator	5841-00-0970029		B16	AN/APN-171
ID-1347C/ARN-82	Course Indicator	5826-100-1-1722		B16	ANARN2
ID-1351(C),(D),(E)I	HRB Indicator				OH-58AID
ID-1351(PL)A)(B)	HRB Indicator				O H-58A/D
ID-1376/APN-215(V)	Indicator				ANAP15
ID-1579/ASN-86	Control-Indicator	5826-00-178438		B16	ANASU86
ID-1581/ADR-	Indicator				AN/ADRJ
ID-1902/ALR-46(V)	Control-Indicator	58600A1108163		B16	ANALR-46
ID-1917()/APN-209(V)	Height Indicator				ANAPN-209
ID-1917/APN-209(V)	Height Indicator	5841-01-058994		B16	ANIAPR-209
ID-1917NAPN-209(V)	Height Indicator	5841-01-137-8445		B16	AN/APN-209
ID-1979hA	Control-Indicator	6110-00-014-6624		B16	OK279/A
ID-2103A	Horizontal Situation Indicator	6610-01-0297542		B16	AH-1(), CH7D
ID-2104/A	Altitude Direction Indicator	6610-01-0297544		B16	AH-I()
ID-2105/A	Radio Magnetic Indicator	5826-01-039-4148		B16	AH-()
ID-2192/ARN-124	Control Indicator	5826-01-62237		B16	AN/ARN-124
ID-2218	Range Indicator				RC12
ID-2277/A	Vertical Situation Indicator	5895-01-110-2229		B16	UH-60AEH-60A
ID-2278/A	Horizontal Situation Indicator	5895-01-114-9556		B16	UH-60AEH-60A
ID-2278A	Indicator Assembly	66001-1558326		B16	AHMA
ID-2279( )/A	Stabilator Indicator				UH-60A/EH-60A
ID-2403	Indicator				AH64A
ID-250( )ARN	Radio Magnetic Indicator				UH-1, U-21A,
OV-1D( ) AH-1( )					
ID-257/APN-22	Height Indicator				AN/APN-22
ID-351B/ARN	Course Indicator				U-21A
ID-387/ARN	Course Indicator	5826-00-5052947		B16	U-21A
ID453/ARN-30	Course Indicator	58200-697-9880		B16	ANARN-30
ID48/ARN	Course Indicator				AH-1()
ID-663( )U	Bearing-Distance-Heading Indicator				OV-1D()
ID-807/U	Calibration Indicator				OA-782AAS14A
ID-88ASN	Attitude- Nav Indicator(Horizontal)	582-00445-8311		B16	ANASN-33
ID-883MASN	Course Indicator	582 A00-44108 B16 ANIASN-33			
ID-998/ASN	Radio Magnetic Indicator	5826-OI897889		B16	UH-1, AH-(), U-21A
IDC-518	Co-pilot's Encoding Altimeter				R12
IP-1080/AYA	Digital Indicator				OV1D()
IP-1150/APR-39(V)	Indicator	5841-01-037-8716		B16	AN/APR-39
IP-155G	Computer Display Unit				AN/ASN-137
IP-1552A/G	Computer Display Unit				ANIASN-137
IP-516( )APS-94	Radar Target Indicator				AN/APS94C
IP-517( )APS-94	Video Signal Monitor	5841-00-707-7662		B16	AN/APS94C
IP-724( )APN-158	Azimuth Range & Indicator				ANAPN-158
IP-808U	Terrain Display Indicator	5840-00-999-7656		B16	OA-782AAS-14A
IP-923/APS-94D	Radar Target Indicator	5841-00-178505		B16	AAPS94D
IP-957APR-36(V)	Azimuth Indicator	5865-00-111 215		FLZ	ANAL R-46
IP-969/AAS-24		5850-01-460-3985		B16	OK-150/AAS24
IP-970/AAS-24	Terrian Indicator	5850-04-643-983		B16	OK-149AAS-24
IU2570301	Vert. Speed Indicator				U-18A

## AVIONICS SYSTEMS AND SUBSYSTEMS MANAGEMENT DATA (Continued)

TYPE #	NOMENCLATURE	NSN	LIN	SOS	COMPONENT OF
J-1098C/APS-94	Interconnection Box	5841-00-952-6131		B16	AN/APS-94C
J-2	Gyro Compass Set	6605-00-506-9315		B16	UH-1
J-2794/APS-94D	Interconnecting Box	5841-00-097-9714		B16	AN/APS-94D
J-2794A/APS-94F	Interconnecting Box				AN/APS-94D
J-3766/A	Audio Interface Unit	58901-114-9554		B16	UH-60A/EH-60A
KA-30A	Still Picture Camera	6720-00-753-5152 C85871		B16	KS-61A
KA-60C	Still Picture Camera	6720-00-890-7610 C86076		B16	KS-104B
KA-76A	Still Picture Camera	67200-087-3151 C86118		B16	KS-113A, KS-104B,
KS-1 04A					
KCS-55A-01	Compass Pictorial Ind.				UV-18A
KCU-951	HF Control Panel				RC-12
KDI-573	Slave DME Ind.				U-21A
KFC-250	Auto Pot				U-21A
KG-102A	Gym				U-21A
KHF-950	HF Communication Set				RC-12
KI-226	RMI				UV-18A
KO265	DME Indicator				UV-18A
KI525A	Horizontal Situation Indicator				TH-67, UV-18A, U-
21A					
KIT-1TSEC	IFF Computer	58100-61-3386 X22266		B56	AH-I(), OV-1D(),
UH-60A, UV-18A					
KLN-88	Navigation Receiver				TH7
KMA-24H	Intercom Control				U-21A
KMT-112	Flux Valve				U-21A
KN-520)	Course Indicator				UV-18A
KN-53	Receiving Set (VOR/ILS)				U-21A
KN-5	Distance Measure Set				UV-18A
KN-72	VORLOC Converter				U-21A
KN-73	GS Receiver				UV-18A
KN-74	R-NAV Computer Set				UV-18A
KNI-582	Radio Magnetic Indicator				TH-67, U-21A
KNS-81	Integrated Nav Sys				U-21A
KR-21	Receiving Set				TH-67, UV-18A,
U-21A					
KR-85	Direction Finder Set				UV-18A
KR-87	Direction Finder Set				TH-67, U-21A
KRA-10A	Radar Altimeter				U-21A
KS-104A	Photographic	6720-00-890-7623		B16	OV-1D()
	Surveillance System				
KS-104B	Photographic	6720-00-406-4653		B16	OV-1D()
	Surveillance System				
KS-113A	Photographic				OV-1D()
	Surveillance System				
KS-1A	Photographic	6720-00-897-5847	N86960	B16	OV-1D()
	Surveillance System				
KT-76A	Receiver Transmitter				TH-67
KT-76A	Transponder Set				U-21A
KTR-909	Radio Set				TH-67
KTU-709	TACAN Set				U-21A
KU-565NAKT-18	Video Encoder				AN/AKT-18A
KX-165	Radio Set				TH-67
KX-175	VORLOC Receiver				UV-18A

## AVIONICS SYSTEMS AND SUBSYSTEMS MANAGEMENT DATA (Continued)

TYPE#	NOMECLATURE	NSN	LIN	SOS	COMPONENT OF
KY-565/AKT-18	Video Encoder	5841-07884727		B16	AN/AKT-18
KY-865/AKT-18B	Video Encoder	5841-01-0739012		B16	AN/ARC-164M1 2
LA-130A	Lens Cone	6760-00-7535155		B16	LA-136A
LA-131A	Lens Cone	6760-07535157		B16	KA-30A
LA-134A	Camera Body Drive	6720-00767340		B16	KA-30A
LA-135	Film Cassette Magazine				KA-30A
LA-136A	Lens Cone Group	6760-00-767-5346		B16	KSIA
LA-137A	Lens Cone Case	6760-00-7535159		B16	LA-136A
LA-138A	Lens Cone Case	6760-00-75158		B16	KA-30
LA-139A	Camera Equipment Case				KA-30A
LA-152A	Power Supply Control	6720-00-89-4272		B16	LS-38A
LA-153A	Camera Mount Control	67600-777-5466		B16	LS-38A
LA-154A	Camera Exposure Control	6760-00-777-5464		B16	LS-38A
LA-155A	Flare Reset Control				LS-38A
LA-156A	Master Camera Control	6720-00-899-7911		B16	LS38A
LA-157A	Photoflash Detector	6760-00-777-5464		B16	LS-38A
LA-158A	Cartridge Ejector	6760-00-730-6778		B16	L38A
A-1 59A	Cartridge Ejector	6760-00-730-6777		B16	LS-38A
LA-160A	Camera Mount	6760-00-735-6435		B16	LS38A
LA-161A	Light Monitoring Sensor	676000-5753126		B16	LS38A
LA-162A	Oblique Sight (Left)	6720-00-730-6780		B16	L92A, LS-38A,
LS-91A, LS-91B					
LA-163	Oblique sight (right)				LS92A
LA-163A	-Speed Ratio Coupler	6780"0646246		B16	LS-38A
LA-178A	Flight Line Tracker	6780064-6245		B16	L38A,LS2A,
LS-91B, LS-91A					
LA-359A	Caring Cradle	6760-9996088		B16	LS-59A
LA-370A	Lens Cone	6760-00-087-3736	L52040	B16	KS-II3A
LA-371A	Lens Cone	6760-00-087-3740	L52041	B16	KS-113A
LA-372A	Lens Cone	6760-00-087-3737	L52042	B16	KS113A
LA-373A	Oblique Sight (Right)	6720-00-730-6779		B16	LSA,LS-91B,
LS38A,NW					
LA-176A	Altitude Speed Ratio Converter	6780-00-064-6247		B16	LS-91B, LS-38A,
LS-91A					
LA-177A	Altitude Camera Body Drive	672010087-3147		B16	KA-76, KS-13,
KS104B					
LA-374A	Camera Lens Cone	67600-087-3743		B16	KA-76A, KS-04A,
KS104B, KS-113A					
LA-375A	Photographic Shutter	67600-087-3745		B16	KA-76A, KS-04B,
KS-104A, KS-i13A					
LA-388	Pod Assembly				LS59A
LA-388A	Pod Assembly				LS59A, KS-113A, KS-
104B					
LA-390A	Cable Assembly	5995-00-999-4376		B16	LS-59A, S-104B, KS-
113A					
LA-391A	Cover Assembly	6760-00-878-5364		B16	LS-59, KS-104B
LA-392	Turbine Cover Assembly				LS-59A
LA-392A	Turbine Cover Assembly	6760-00-878-5354		S9G	LS-59A, KS-04B, KS-
113A					
LA405A	Camera Control	6720-00-017139		B16	LS91A



## AVIONICS SYSTEMS AND SUBSYSTEMS MANAGEMENT DATA (Continued)

TYPE#	NOMENCLATURE	NSN	LIN	SOS	COMPONENT OF
LA-406A	Power Supply Control	6760-0014-8305		B16	LS-91A, LS-91B, LS-92A
LA-407A	Light Sensor	6760-00-929-9848		B16	KA-76A, KS-104B, LS- 91A, LS-91B, LS-92A, KS-104A
LA-408A	Camera Mount	6760-00-922-5805		B16	LS-911A
LA-408B	Camera Mount	6760-00489-6164		B16	LS-92A, LS-91B, LS-92A
LA-409A	Actuator Assembly	6760-00922-5804		B16	LS-91A, LS-91B, LS-92A
LA-409A	Actuator Assembly	6760-00-922-5804		B16	LS-91B
LA-409A	Actuator	6760-00-922-5804		B16	LS-92A
LA-410A	Film Magazine	6760-00-922-5802		B16	KA-60C
LA-411A	Camera Body Drive	67200-890-7608		B16	KA-60C
LA-412A	Camera Control	6720-00-890-7609		B16	KA-60C
LA-413A	Camera Control Panel	6760-00-922-5803		B16	KA-60C
LA-414A	Film Cassette Magazine	6760-00-404-3306		B16	K76A, KS-104A, KS-104B, KS-113A LS-92A
L-432A	Camera Master Control				
LA-434A	Code Matrix Block Recorder	6720-00-450-6743	R42161	B16	KS-113A
LA-96A	Altitude-Speed Ratio Detector	6780-00-064-5663		B16	LS-38A, LS-9A, LS-91 B
LPF40-02B	FM Low Pass Filter	591004504676	,	S9E	AH-(). CH-47D UH-60A/EH-60A, OH-58A/D
LS-38A	Photographic Control System	6780-00-064-6244		B16	KS-61A
LS-59A	Photograph Flasher Sys	6760-00-910-3802	H73029	B16	KS-104B, KS-113A OV-1D()
LS-91A	Photographic Control System	6720-00406655		B16	OV-1D()
LS-91B	Photographic Control Sys	672000406-3431		B16	KS-104B
LS-92A	Photographic Control Sys	6720-004064657		B16	KS-113A
M-130	General Purpose Dispenser				UH-60A/EH- 60GOA UV-18A AH-64A
M-500-08	Turn & Slip Indicator				
M313	Indicator Radio Magnetic				
M880555-001	Switch Push P Pilot Copilot LH				
M880555-001	Switch Push Pilot/Copilot RH				
MA-18	Film Magazine	6760-00-930-1893		B16	AN/USA-23
MA-26/AAS-24	Film Magazine				OA-8511AAS-24
MC-1	Rate Gym	6615-00-768-5019		B16	AH-I(), U-21A, UH- 1
MD-1	Displacement Gyro	6615-00-933-6037		B16	U-21A, UH-1
MD-1047/A	Audio Threshold Device	5821-00-097-0080		B16	CHJ7D, UH-1
MD-1074/ALQ-147A(V)	Modulator Assembly				AN/ALQ-147A(V)1
MD-1074/ALQ-147A(2)	Modulator Assembly				AN/ALQ-147A(V)2
MD-1101/A	Audio Threshold Device	5831-01018-1245		B16	AH-(), OH-58D
MD-1102/USQ-61	Digital Modem	AN/ARC-164(V)12			
MD-1295/A	Improved Data Modem				
MD-736/A	Signal Discriminator	5821-00-937-633		B16	AH-1 OV-1D, U- 21A,
UH-1, UV-18A					
MD-939/USQ-61	Digital Modem	70301024-0953		B16	AN/USQ-61
MGH 229100	INS Inverter				U-21A
MK-898/AAS-14A	Optical Filter Kit				OV-1D()
MS-351 3/APX	Mount				U-21A

## AVIONICS SYSTEMS AND SUBSYSTEMS MANAGEMENT DATA (Continued)

TYPE	NOMENCLATURE	NSN	LIN	SOS	COMPONENT OF
MS91405-BIC	Mount				OK-270/ALQ-133
MS91405-B D2	Mount				OK-270/ALQ-133
MS91405-C2D	Mount				OK-270/ALQ-133
MT-1142/ARC	Mount	59700-5033448		B16	UH-1
MT-1174/ARN-30	Mount				AN/ARN-30
MT-1174ARN-30A	Mount	5826-00-091-0494		FLZ	ANARN-30E
MT-1175/ARN-30A	Mount	58200-61186		5 B16	ANRN-30
MT-1535ARC-54	Mount	5821-00-892-9309		B16	AN/ARC-54
MT-1719/AR	Mount	5985-00-3259032		S9E	CU-991
MT-1955/ARA-50	Mount	5826-00-221028		FLZ	AARA50
MT-1 995Z	Mount	OV-1 D()			
MT-2018ARN	Mount	582-006774450		B16	ANARN-59
MT-2019/ARN	Mount	58200-677046		B16	ANARN-59
MT-2416ASN	Mount	582S004458310		B16	ANASN33
MT-2417ASN	Mount	5826-00-4458312		B16	O-1D( )
MT-2530/A	Mount			S9E	ANUSQ-61,
OV-I D/R-1 D					
MT-2551/AYA -3	Mount	660R00857300		FHZ	AN/AY-3
MT-2641/ARC	Mount	CH7D			
MT-2653/ARC	Mount	5821-00985789		B16	AN/AKT-18
MT-2653/ARC	Mount	5821-09845789		B16	ANARC-S/BX
MT-2659/ARN	Mount	5826-00-757-2020		B16	UH-1
MT-2695/AJA-5	Mount	1610-00-7363934		B16	AN/AJA-5
MT-26991ARC-73	Mount	5821-067s3105		B16	AN/ARC-73A
MT-3068APN158	Mount	5841-00-964-9116		B16	AN/APN-158
MT-3069/APN-158	Mount	5841-00-964-9115		B16	ANAPN-158
MT-3435/APN-168	Mount	5841-0892-9705		B16	ANAPN-168()
MT-3436/APN-168	Mount	5841-00-892-9704		B16	AN/APN-168()
MT-3448/AKT-18	Mount	5841-00-7884737		AN/AKT-18	
		B16			
MT-3513/APX	Mount	5895-00919513		B16	AH-1(), OH-58A/D,
O-ID(), UH-1, UV-18A					
MT-3582/AA-14	Mount	OV-ID()			
MT-3600/ARN-82	Mount	5826-00-927108		B16	ANARN-82
MT-3605/ARN-83	Mount	5826-00-9247177		B16	AARN-83
MT-3610AAS-14A	Mount	5850-00-93-0154		B16	O-I1D()
MT-3617/A	Mount	5841-00-923102		S9E	ANAKT-18
MT-3664/ARC-131	Mount	AN/ARC-131,			
ANARC-54					
MT-3772A	Mount	CU-1658, OV-1D()			
MT-3772A/A	Mount	59800937-0415		S9E	AH-I(), CH47D
U-21A					
MT-3791( )/ARC-134	Mount	5975-00-150009			AN/ARC-134
MT-3791( )/ARC-134	Mount	5975-00-115009			ANIARC-134
MT-3802ARC	Mount	5810937-1036		B16	AH-1(). AH-64A,
CH-47D, OH-58A/D, OV-1D(), UH-1					
MT-3809/APX-72	Mount	58900-063-9498		B16	ANAPX-72
MT-3870/A	Mount	661500-937-7671		B16	ANASN76

## AVIONICS SYSTEMS AND SUBSYSTEMS MANAGEMENT DATA (Continued)

TYPE #	NOMENCLATURE	NSN	LIN	SOS	COMPONENT OF
MT-3949A U	Mount	5975-00-935-9582		B16	AH-1(), AN/APX-100(V), CH-47D, OH-58AD, OV-D(), U-21A, UH-1, UH-60A, UV-18A
MT-4015PS-94	Equipment Rack				ANAPS-94D
MT-4015/APS-94F	Equipment Rack				AN/APS-94F
MT4075ASN-86	Mount	5826-00-220-2065		B16	AN/ASN-86
MT4105AAS-14A	Mount	5850-00-113-8117		B16	OV-D()
MT-41565AAS	Mount	OK-150/AAS-24			
MT41571AAS-24	Mount	585000-02-2228		B16	OV-1D()
MT41585AAS-24	Mount	5850-00402-2227		B16	OV-1D()
MT41595AAS-24	Mount	5850-00481-3681		B16	OV-ID()
MT4167APN-171(	Mount	534000-178-1406		S91	ANAPN-171
MT-4411ARN-103(	Mounting	582T0160-6543			ANARN-103
MT-4447/ASN-86	Mount	660500-417-6207		B16	AN/ASN-86
MT-4539/AYA-10	Mount	58900-04-8804		B16	ANAYA-10
MT-4685/A	Mount	59700-114-5211		B16	OK-279/A
MT4792/AKT-18A	Mount	5841-01-015-7763		B16	AN/AKT-18A
MT4793/AKT-18A	Mount	5841-01-015-7764		B16	N/AKT-18A
MT-4811/APX-100	Mount	5895 01-063-022		S9E	AN/APX-100,OH-58AID
MT-4834ARN-123(	Mount	58201-020-2266		B16	ANARN-123
MT-4835/ARN	Mount	58201-022-9257		B16	OV-1D(), U-21A, UH-
MT-4902/USQ-61	Mount	7035-041-3401			S9E AN/NSQ-61
MT4903USQ-61	Mount	703-01-041-3402		S9E	AN/ARC-164(V)2,
ANLSQ-1					
MT-904/USQ-61	Mount	70301042-0150		B16	AN/USQ-61
MT-4980ARN-123(V)	Mount	58201-058-7717		B16	AN/ARN-123
MT-5203/APS-505	Mount	5841-21-880-3591			ANAPN-215
MT-6016/AKT-18B	Mount	5841-01-070-4272		B16	AN/AKT-18B
MT-6017/ARC-164(V)	Mount	5821-01-070-4271		B16	AN/ARC-164(V)12
MT-6034ARN-124	Mount	58201-063-8017		B16	ANARN-124
MT-6051/ARC-186(V)	Mount	5821-01-066-5318		FLZ	ANARC-186
MT-6226A	Mount	5895-01-110-2233		B16	UH-60AEH-60A
MT-6227	Vibration Tray	5895-01-109-6421		B16	UH-60AAEH-60A
MT-6347/ARC-201A	Mounting Base, Electrical	AN/ARC-201A			
Equipment					
MT6374ARC-201	Mount				ANARC-201
MT-6583ARN-149	Mount				R-2382ARN-149
MT-7186/USA-23	Recorder Subassembly				AN/APN-22
MT-803APN-22	Mount	5841-00-552-9080		FLZ	
MT-859( )/APX-72	Transponder			ANAPX-72	
MU-1004A	Data Transfer Cartridge			OH-58ND	
MU-1005A	Data Transfer Receptacle			OH-58ND	
MX-10465/ASQ	Symbol Generator			AH-64A	
MX-291( )/ASW-12V	Accelerometer			ANASW-12	
MX-2917ASW	Calibration Unit			ANASW12	
MX-2918/ASW-12	Calibration Unit			ANASW-12	
MX-291/ASW-12(V)	Calibration Unit			ANASW-12	

## AVIONICS SYSTEMS AND SUBSYSTEMS MANAGEMENT DATA (Continued)

TYPE #	NOMENCLATURE	NSN	LIN	SOS	COMPONENT OF
MX-8123/ASN-86	Gyro Stabilized Platform	58200179-8440		B16	ANASN-86
MX-8356/AAS-24	Recorder Subassembly	OA8511AS-24			
MX-8357/AAS-24	Deleting Set Subassembly	5850-00-460154		B16	AN/AAS-24
MX-8358/AAS-24	Converter Subassembly	5850-004662018		B16	AN/AAS-24
MX-8359/AAS-24	Recorder Group Blanket				AN/AAS-24
MX-9623AAS-32	Electronic Components Assy				ANAS-32
NARCO 03710300	Emergency Locator Transmitter				RC-12
0-1671W ALQ-133	Frequency Synthesizer	5865-01-024-0450		B16	OK-270/ALQ-133
OA-7400/APN-168	Frequency Tracker	5841-00-788-1826		B16	AN/APN-168()
OA-7401/APN-168	Receiver- Transmitter	5841-0S988911		B16	AN/APN-168()
OA-7432( )AYA-3	Computer	AN/AYA-3			
OA-7825/AAS-14A	Control	58500-926-0165		B16	AN/AAS-14A
OA-7827/AAS-14A	Receiver Group	5850-00-926-0163		B16	AN/AAS-14A
OA-85111AAS-24	Recorder Group	5850- -7624713		B16	AN/AAS-24
OK-149/AAS-24	Terrain Display/Control Group				Ov-1D()
OK-150/AAS-24	Calibration Display Control Group				Ov-1 D()
OK-270/ALQ-133	Quantizer-Control Group	5865 01-0631575		B16	AN/ALQ-133
OK-279/A	Voltage Controller Group	6110-00-014-6623		B16	OV-1D()
OR-140/ALQ-133	Intercept Receiver Group	5865-01-028283		B16	AN/ALQ-133
P-2792/ARN-30D	Power Supply				ANMARN-30
PC-15BC	Static Inverter				UV-18A
PC-17A	Static Inverter				U-21A
PP-2404( )APS-94	Power Supply	5841-00-682-3350		B16	AN/APS-94C
PP-279 /ARN-30D	Receiver	58200a 52-250		B16	AN/ARN-30E
PP-3702/ARC-102	Inverter Mounting	5821-'I52 A16 8		B16	AN/ARC-102
PP-4478/AAS-1 4A	Power Supply	5850-00-926-0812		B16	OV-1D()
PP-6270/AAS-24		5850-00-466-2019		B16	OV-1D()
PP-6376/A	Static Inverter	6130-00-168-8544		B16	OH-58A/D
PP-6508AJ	Static Inverter	6130-00-2205212		B16	AH-1()
PP-7035/ALQ-133	Power Supply	586010243883		B16	OK-270/ALQ-133
PP-7036/USQ61	Power Supply	7035-01027913		B16	AN/USQ-1
PP-7255/AKT-18A	Power Supply-Synchroner	5841-01-0157757		B16	AN/AKT-18A
PP-7274()/A	Static Inverter	61200-148-8342		B16	AH-()
PP-7508/APS-94F	Power Supply Mount	5841-01-061-2669		B16	AN/APS-94F
PP-7618	Power Supply (5V)				UH-1
PP-7652/USQ-61A	Power Supply				AN/USQ-IA
PP-7723/A, A/A OR B/A	Battery Charger				UH-60AIEH0A
PP-7798/A	Battery Charger	6130-01-13S5065		B16	CH-47D
PU-543( )/A	Inverter				AH-1 ( )
PU-543( )/A	Inverter				UH-1
PU-544( )MA	Inverter				OK-279/A, U-21A
PU-545( )A	Inverter				OK-279/A
PU-750( )A	Inverter				OK-279/A
R-1021/ARN-30D	Receiver	5826-0752-5730		B16	ANARN-30
R-1041()/ARN	Radio Receiver (MB)	UH-1			
R-1123/ARC-73	Receiver	5821-0-682-8831		B16	AN/ARC-73A
R-1386/AAS-14	Receiver				OA-7827/AAS-14A
R-1388( )ARN-82	Receiver				ANMRN-2
R-1391/ARN-83	Receiver	58204994-1578		B16	AN/ARN-83

## AVIONICS SYSTEMS AND SUBSYSTEMS MANAGEMENT DATA (Continued)

TYPE #	NOMENCLATURE	NSN	LIN	SOS	COMPONENT OF
R-1496/ARN-89	Receiver	582600-7906426		B16	AN/ARN-89B
R-1496ARN-89	Receiver	58201-021-3288		B16	ANRN-89
R-1615/AAS-24 Infrared	50-00-460-3987	B16 OV-1D()			
R-1838/APR-39	Receiver	5841-01-031-5890		B16	AN/APR-39
R-1838/APR-39 (2)	AFT Radar Warning Receiver				ANAPR-39
R-18 LR46V)	Receiver	58600-110-8161		B16	AN/ALR-46
R-1960/AAS-32	Receiver-Tracker				AN/AAS-32
R-63/ARN	Radio Receiver(MB/GS)	58201-015-1574		B16	OV-D(), U-21A UH-1
R-2023/ARN-123	Receiver	5826-1-02G258		B16	ANRN-123
R-2057/USQ61	Radio Receiver	589501-049-0950		B16	ANNSQ-61
R-2097/APR-44	Receiver	58411-047-5485 B16			AN/APR-44
R-2098/APR-44)	Receiver	5841-01-047-5486		B16	AN/APR-44
R-2098/APR-44V)	Receiver	5841-01-047-5486		B16	AN/APR-44
R-2139/ARN-123(V)	Receiver				ANARN-123
R-2382/ARN-149	Receiver				ANAIRN-149M
R-836/ARN	Receiver	58200-519-63		B16	ANMRN-59
R-844( )/ARN-58	Radio Receiver (MB/GS)				O-V D()
RA-315	Radio Altimeter Indicator				RC-12
RD-166( )NP	Radar Mapping Recorder				AN/APS-4C
RD-550 (HSI)	Co-pilot's Horizontal Situation Indicator				RC-12
RD-650B	Pilots Altitude Direction Indicator				RC-12
RMI-30	Radio Magnetic Indicator				RC-12
RO-301/ADR-6	Recorder	6665-00-930-2304			ANDR
RO-35APS-94D	Recorder-Processor-ewer	5841-00-179-8507		B16	AN/APS-94D
RO-495	Recorder-Processor-Viewer				AN/APS-94F
RT-1057/ARN-103	Receiver-Transmitter	58200026-8731		B16	ANARNE-103
RT-1108/ARC	Receiver-Transmitter				ANARC-134
RT-1115( )/APN-209	Receiver-Transmitter-Height Indicator				ANAPN-209
RT-11115(B)/APN-209(V)	Receiver-Transmitter-Height Indicator				AN/APN-209
RT-1115A/APN-209(V)	Receiver Transmitter Radar Altimeter	5841-01-096-8673		B16	ANIAPN-209
RT-1115BPN-209(V)	Receiver-Transmitter Altimeter	5841-01-140-0941		B16	AN/APN-209
RT-115CPN-209(V)	Receiver-Transmitter Altimeter				ANAPN-209
RT-115DIPN-209	Receiver-Transmitter Altimeter				AN/APN-209
RT-1149AL-136	Receiver-Transmitter				AN/ALQ-136
RT-1149/ALQ-136M 1	Radac Jammer				AN/ALQ-136
RT-1157( )/APX-100	Transponder				AN/APX-100
RT-1167( )/AR-164	Receiver-Transmitter				AN/ARC-51BX,
UV- 18A					
RT-1167/ARC-1 64	Radio Set	5821001387990	R31 541	B16	U-21A, UH-1
RT-1167/ARC-164(V)	Radio Set				AH-1(), AN/ARC-64,
O-1 D()					
RT-11 67CARC-164	Radio Set	5821-01-147-4630		FLZ	AN/ARC-164
RT-1193/ASN-128	Receiver-Transmitter-Antenna	5841-01-063-1919		B16	AN/APN-128,
ANIASN-137					
RT-1220/ALQ-156	Receiver-Transmitter	5841-136-5832		B16	AN/ALQ-156
RT-283/APS-9F	Receiver Transmitter	581-01-070-4064		B16	ANAPS-94F

## AVIONICS SYSTEMS AND SUBSYSTEMS MANAGEMENT DATA (Continued)

TYPE #	NOMENCLATURE	NSN	LIN	SOS	COMPONENT OF
RT-1285( )APX-100	Transponder				ANAPX-100 OH-58AID
RT-1288ARC-164	Receiver-Transmitter				ANARC-164M )12
RT-1294/ARN-124	Receiver-Transmitter	5826-01066-86		B16	ANIARN-124
RT-1296AAPX-100	Receiver-Transmitter	58901 92988		B16	16 ANAPX-100
RT-1296B/APX-100 M	Receiver- Transmitter				ANiAPX-1N00P
RT-1300ARC-186 (V)	FM Receiver- Transmitter				ANARC-186
RT-1300B/ARC-186	Receiver-Transmitter	5821-01-208-1093			ANARC-186
RT-1321	Receiver Transmitter				RC-12
RT-135APN-215V	Receiver Transmitter				ANPN-215
RT-1354/ARC-186	Radio Set	5821-01-208-1095			ANgARC-186, UH-1
RT-1354/ARC-186(V)	Radio Set	5821-01-092-4907	Q25991	B16	AH-I(),
ANARC-186,					
RT-1354/ARC-186(V)	Receiver-Transmitter	5821-01-0924907	Q25991	B16	AN/ARC-186
RT-1411APN-209	Receiver-Transmitter				AN/APN-209
RT-1411PN-209	Receiver- Transmitter Rad Atimeter				ANAMPN-209
RT-1411APN-209AI)	Receiver-Transmitter	5841-01-140-1700		B16	ANPN-209B
RT-1411AIAPN-209	Receiver-Transmitter				ANAPN-209
RT-1432/U Receiver- Transmitter	5821-01-172-2924			B16	AN/ARC-199,  UH-0A/EH-60A
RT-1471/APX	Transponder	5841-0115-6409			OH-58AND
RT-1471APX-1 (V)	Receiver- Transmitter Radar				ANPX-100
RT-1477MRC20()	Receiver -Transmitter				ANARC-201
RT-1478/ARC-201A	Receiver-Transmitter				ANARC-201
RT-1478A/ARC-201A	Receiver-Transmitter				ANRC-201A(V)
RT-1518/ARC-164	Receiver- Transmitter				ANARC-164
RT-518/ARC-164(V)	Receiver-Transmitter				ANARC-164
RT-1557/APX-OO	Receiver-Transmitter				ANAPX-100
RT-1557ANAPX-1	Receiver-Transmitter				ANIAPX-100
RT-160/APN-22	Receiver-Transmitter	5841-00-543-1330		B16	ANPN-22
RT-1614/ARC-164	Receiver-Transmitter				ARC-164I
RT-1614/ARC-186	Receiver Transmitter				ANAIRC-164
RT-348/ARC-54	Receiver Transmitter	5821-00-082-3597		B16	ANARC-5
RT-530/APS-94	Receiver-Transmitter	5841-00-707-2311		B16	AN/APS-94C
RT-698/ARC-102	Receiver- Transmitter	5821-060-3307		B16	AN/ARC-102
RT-6998ARC-102	Receiver-Transmitter				AARC-I02
RT-711( )APN-158	Receiver -Transmitter				AN/APN-158
RT-742( )IARC	Receiver-Transmitter				AN/ARC-51BX
RT-804A/APN-171	Receiver-Transmitter	5841-00-097-0030		B16	ANAPN-171
RT823ARC-131	Receiver-Transmitter	5821-00-851-1096		B16	ANARC-131
RT-823ARC-131	Receiver-Transmitter	5821-00-851-1096		B16	ANARC-131
RT-823ARC-131	Receiver-Transmitter	5821-00-851-1096		B16	ANARC-131
RT-823ARC-131	Receiver-Transmitter	582100-851-1096		B16	ANARC-131
RT-857ARC134	Receiver-Transmitter	5821-00-072108		B16	ANARC-1 34
RT-859( )APX-72	Transponder				ANIPX-72
RT-89/APS-94D	Receiver-Transmitter	5841-00-179-8506		B16	ANAPS-94D
S-1660-60036-10	Mount	5895-01-109-6411		B16	UH-60AIEH60A
S-3()	Gyro Control				J-2
S65-8282-30	VHFIAM-FM Antenna	5985-01-134-2291		B16	CH-47D

## AVIONICS SYSTEMS AND SUBSYSTEMS MANAGEMENT DATA (Continued)

TYPE #	NOMENCLATURE	NSN	LIN	SOS	COMPONENT OF
SA-2056/USQ-61	Transmit-Receive Switch	7035-01-035-1343		B16	AN/USQ-61
SA-5211A	Antenna Transfer Switch	5985-00-097-7374		S9E	OV-1D()
SANS-706	TACAN Distance Indicator				RC-12
SB-2471/AKT-18	Power Distribution Panel	6110-00-985-8257		S9G	ANAKT-18
SB-2649/AAS-14A	Switch Control Panel	5850-009300158		B16	OA-7825/AAS-14A
SG-1127/APS-94E	Sweep Generator	6625-01-046-1163		B16	AN/APS-94F
SG-794/APS-94D	Sweep Generator	5841-00-179-5843		B16	AN/APS-94D
SN-257APS-94	Synchronizer	5841-00-706-6554		B16	AN/APS-94C
SN-324/AJA-5	Synchrphaser	1610-00-089-5040		B16	AN/AJA-5
SN-358( )/APN-158	Synchronizer				AN/APN-158
SU-130/AVR-2	Sensor	5841-01-110-6666		B16	AN/AVR-2
T-1360(V)/ALQ-144	Transmitter	5865-01-034-9117		B16	AN/ALQ-136(V)1
T-1360/ALQ-144	Infrared Jammer Unit				AN/ALQ-144
T-1407/ALQ-147A(V)	Transmitter Assembly	58601077-8775		B16	AN/ALQ-147A(V)
T-1408/ALQ-147(V)	Transmitter Assembly				AN/ALQ-147A(V)2
T-366/ARC	Transmitter	5821-00-503-3434 X17204		B16	UH-1
T-611/ASN	Compass Transmitter	6605-00-531-2992		B16	AN/ASN43, J-2, OH-58A/D, U-21A
T-879/ARC-73	Transmitter	5821-00-682-8832		B16	AN/ARC-73
T-9911AR	Transmitter	5821-00-985-8926		B16	AN/AKT-18
T-99A	True Airspeed Transmitter	5841-00-788-1791		B16	AN/ASN-64, OV-1D(), U-21A
TG-78()/ASW-12(V)	Actuator				AN/ASW-12
TG-80( )/ASW12	Actuator				AN/ASW12
TG-81()/ASW-12)	Actuator				AN/ASW-12
TR-253/AYA	Altitude Transducer	6610-00477-6272		B16	AN/AYA-10
TR-322/A	Air Data Transducer	5895-01-114-9557		B16	UH-60A EH-60A
TR-323A	Air Speed Transducer	5895-01-110-1024		B16	UH-60A EH-60A
TR-326/A	Linear Servo Accelerometer	6680-01-125-0325		B16	UH-60 H-60A
TRU-2AA	Rate Gyro	6615-00-707-6478		B16	AH-I(), UH-60NEH-60A
TS-1 843( )APX	Test Set				AH-(),ANAPX-72, OH-58A/D, OV- 1D(), U-21A, UV-18A
TSEC/KG-( )	Key Generator				AN/USQ-61A
TSEC/KY-58	Com Security Set	5810-00-449-0154	S01441	B56	UH-60AEH-60A,
UV-18A					
TSEC/KY-75	Com Security Set	5810-01-050-2502	C52450	B56	OH-58iD
V-1000AB-F TYPE 2	Video Recorder				AH-64A
VG-14	Vertical Gym				UV-18A
VHF-20B	VHFAM Communications				RC-12, UV-18A
VHF-22B	VHF Communications				RC-12
	Transceiver				
VIR-3AGM/AG	Dual NAV1-NAV2 Control Panel				RC-12
VIR-32	VHF Navigation Receiver				RC-12
VT-10-02	VORGS Antenna				U-21A
Z-AHP	Remote Control				UV-18A
Z-AHPITSEC	Remote Control Unit	5810-01-026-9623	R71604	B56	UH-60AEH-60A
Z-AHQTSEC	Interface Adapter	5810-01-026-9624	J97569	B56	UH-60AEH-60A,
UV-18A					
Observer Headset and GPS Key Panel					RC-12

## AVIONICS SYSTEMS AND SUBSYSTEMS MANAGEMENT DATA (Continued)

TYPE	NOMENCLATURE	NSN	LIN	SOS	COMPONENT OF
	Pilot's Encoding Altimeter				RC-12
	Aileron High Torque Test Switch & Annunc				RC-12
	Auto-Pilot Pitch-Turn Control Panel				RC-12
	Auto-Pilot/Flight Dir Annunciator Panel				RC-12
	Maker Beacon Audio Control Panel				RC-12
	Gyro Magnetic Compass System				RC-12
	Radio Control Panel				RC-12



## APPENDIX B

## TOOLS AND TEST EQUIPMENT MANAGEMENT DATA

This appendix includes the tools and test equipment, listed alphanumerically, required to support avionics systems and components. Commercial items are listed by manufacturer's part number or noun following the military designated items. The following data is furnished, if available and where applicable.

**TYPE NUMBER:** Self-explanatory.

**NOMENCLATURE:** A noun or brief descriptive group of terms which designates the family name of the item.

**NATIONAL/NATO STOCK NUMBER (NSN):** A thirteen-character number assigned to items of supply which are repetitively used, purchased, stocked or distributed within the Federal Supply System.

**LINE ITEM NUMBER (LIN):** A six-character alphanumeric identification of a generic nomenclature and of the line on which the generic nomenclature is listed in SB 700-20 and in Army Equipment authorization documents.

**APPROPRIATION CODE (FUND):** Denotes principal (APA), secondary (PS), or stock fund (SF) items as indicated in the latest edition of the AMDF at the time of this printing.

**APPLICABLE PUBLICATIONS:** Self-explanatory.

**EQUIPMENT SUPPORTED:** Self-explanatory. General purpose is listed if the item supports three or more individual end items.

**COMMERCIAL EQUIVALENT:** Self-explanatory.

## TOOLS AND TEST EQUIPMENT MANAGEMENT DATA

TYPE NUMBER	NOMENCLATURE	NSN	LIN	FUND	PUBLICATIONS	EQUIPMENT SUPPORTED	COMMERCIAL EQUIVALENT
AM-3261/ASW-12 *AM-4825A/U AM-6880/U AN/AAM-10 AN/AAM-12	Servoamplifier Amplifier Amplifier Test Target, Thermal Test Set, IR Detector	6110-00-868-8129 6625-00-982-2977 6625-00-185-7817 6625-00-064-6101 6625-00-987-9058	S80819 A46684 A49038 W01728 V80834	SF SF SF APA APA	TM 11-6625-1821 Series TM 11-6625-511 Series TM 11-6625-531 Series	AN/ASW-12 AN/USQ-61A AN/AAS-14 AN/AAS-14	HP 461A TEK 7A18N Singer 67821 Singer 67818
AN/AAM-13 AN/AAM-26 AN/AAM-28  AN/AAM-29 AN/AAM-30 AN/AAM-31	Optical Test Table Generator, Video Signal Test Set, Optical Alignment Test Set, Cryogenic Refrig. Test Set, Resolution Test Set, Rcvr Detecting Sub-Assy	6625-00-064-6445 5850-00-946-9999 6625-00-937-5251  5850-00-832-9949 6625-00-433-2405 6625-00-403-5839	W01591 J59966 V82204  R72340 V91241 V90304	APA APA APA  APA APA APA	TM 11-6625-511 Series TM 11-6625-676 Series TM 11-6625-1603 Series  TM 11-6625-1604 Series TM 11-6625-1732 Series TM 11-6625-1828 Series	AN/AAS-14 AN/TAQ-1 AN/AAS-14  AN/AAS-14 AN/AAS-24 AN/AAS-24	Singer 67812 Singer 87811 Singer 89105  Airsearch 904046 TI 692483-1 TI 692558-1
AN/AAM-32  AN/AAM-33 AN/AAM-34 AN/AAM-35 AN/AAM-36	Test Set, Recorder Film Magazine Test Set, Terrain Callb Indicator Test Set, Pwr Supply Control Panel Test Set, Converter Sub-Assy Test Set, Optical Alignment	6625-00403-1065  6625-00-403-1070 6625-00-403-1071 6625-00-403-1064 6625-00-408-5040	V90458  V99020 V83214 V71929 V82238	APA  APA APA APA APA	TM 11-6625-1827 Series  TM 11-6625-1826 Series TM 11-6625-1825 Series TM 11-6625-1824 Series TM 11-6625-1733 Series	AN/AAS-24  AN/AAS-24 AN/AAS-24 AN/AAS-24 AN/AAS-24	TI 692537-1  TI 692516-1 TI 692495-1 TI 692579-1 TI 692526-1
AN/AAM-37  AN/AAM-38 AN/AAM-39 AN/AAM-40 AN/AAM-55	Test Set, Cryogenic Refrig Test Set, IR Detecting Set Test Set, Plug In Unit Test Set, Cryogenic Refng Test Set, Airborne Laser	4130-00-407-7076  6625-00-459-3402 6625-00-459-3403 4130-00-197-6347 5860-01-070-3842	V72340  V80868 V76434 V72344 T13751	APA  APA APA APA APA	TM 11-6625-1737 Series  TM 11-6625-1823 Series TM 11-6625-1822 Series TM 11-6625-2446 Series TM 11-6625-2638 Series	AN/AAS-24  AN/AAS-24 AN/AAS-24 AN/AAS-24 AN/AAS-32	TI 7250341  TI 633288-1 TI 633289-1 TI 694708-1
AN/AAM-56  AN/AKM-2 AN/AKM-2A	Tracker Alignment Set, Airborne Laser Trckg Test Set, Radar Data Set Test Set, Radar Data Set	5860-01-070-3843  6625-00-855-8998 6625-00-966-1961	Z04716  V99329 V99329	APA  APA APA	TM 11-6625-2685-Series  TM 11-6625-826 Series TM 11-6625-826 Series	AN/AAS-32  AN/AKT-18 AN/AKT-18	Motorola 201-31585 Motorola 01-22240G01

TOOLS AND TEST EQUIPMENT MANAGEMENT DATA (CONTINUED)

TYPE NUMBER	NOMENCLATURE	NSN	LIN	FUND	PUBLICATIONS	EQUIPMENT SUPPORTED	COMMERCIAL EQUIVALENT
*AN/ALM-166	Test Set, Counter-measures	6625-00-631-6460	V71963	APA	TM 11-6625-2676-Series	AN/ALQ-147	
AN/ALM-166A	Test Set, Counter-measures	6625-01-078-2490	T72031	APA	TM 11-6625-2972 Series	AN/ALQ-147A	Sanders 4017877G1
AN/ALM-178	Test Set, Counter-measures	6625-01-038-8243	T60338	APA	TM 11-6625-2739 Series	AN/ALQ-144	Sanders SM-D-879348
AM-4/U	Bridge, Resistance	6625-00-166-0398	C26031	APA	TM 11-2019	General Purpose	L&N 5300
AN/APM-66	Test Set, Radar	6625-00-5538008	V83369	APA	TM 11-6625-398 Series	AN/APN-22	Raytheon
AN/APM-123(V)1	Test Set, Transponder	6625-00-948-0071	V99347	APA	TM 11-6625-667 Series	AN/APX-44, 72,	
AN/APM-196A	Test Set, Recorder Processor Viewer	6625-00-089-9657 27867A01	V90475	APA	TM 11-6625-571 Series	RO-166	100 Motorola 01-
AN/APM-214	Alignment Fixture, Recorder	6625-00-013-6934	01013A	APA	TM 11-6625-598 Series	AN/APS-94C	Motorola 01-28211CO1
AN/APM-239A	Test Set, Transponder	6625-00-802-7425	V99416	APA	TM 11-6625-842 Series	AN/APX-72, 100	Hazeltine 119598-1
AN/APM-245A	Test Set, Simulator	4920-00-164-6551	V92715	APA	TM 11-6625-1711 Series	AN/APX-72, 100	
AN/APM-246	Test Set, Radar	6625-00-943-2059	V83667	APA	TM 11-6625-664 Series	AN/APN-158	Collins 979A-1
AN/APM-247	Test Set, Radar	6625-00-908-9577	V83668	APA	TM 11-625-664 Series	AN/APN-158	Collins 978G-1
AN/APM-305	- Test Set, Transponder	6625-00-179-1532	V99436	APA	TM 11-66252611 Series	AN/APX-72, 100	Teledyne 152000
AN/APM-305A	Test Set, Transponder	6625-01-052-3881	V99436	APA	TM 11 -625-2611 Series	AN/APX-72, 100	Teledyne 152000
AN/APM-322	Test Set, Radar Altimeter Module	662500-437-7312	V86006	APA	TM 11-6625-1795 Series	AN/APN-171	Honeywell UG2307AA02
AN/APM-323	Test Set, Radar Altimeter System	6625-00-491-0580	V86011	APA	TM 11-6625-1746 Series	AN/APN-171	Honeywell UG2308AA02
AN/APM-338	Test Set, Plug-in Unit	6625-00-423-6617	APA	TM 11-6625-2571 Series		AN/APX-72	Bendix 2031196-0501
AN/APM-362	Test Set, Transponder	6625-466-0554					
AN/APM-378	Test Set, Transponder 0501	4920-00-134-1533	T49324	APA	TM 114920-296 Series	AN/APX-72	Bendix 4035500-
AN/APX-100	Test Set, Signal Proc	6625-00-528-6710	Z50499	APA	TM 11-6625-2679 Series	AN/ALR-46	
AN/APM-380	Test Set, Electronic Ckt Plug-in Unit	6625-00-095-9861	Z25183	APA	TM 11-6625-2681 Series	AN/ALR-46	Appl Tech 31-032487-02
AN/APM-381	Test Set, Receiver	4920-00-472-1545	Z19420	SF	TM 11-6625-2680 Series	AN/ALR-46	Appl Tech 31-020304-52
AN/APM-415	Test Set, Processor	6625-01-061-1236	T42031	APA	AN/APR-39(V)2		
AN/APM-421	Transponder Test Set	4920-01-078-0271	Z84530	APA	AN/APX-72, AN/APX-1 00		

## TOOLS AND TEST EQUIPMENT MANAGEMENT DATA (CONTINUED)

TYPE NUMBER	NOMENCLATURE	NSN	LIN	FUND	PUBLICATIONS	EQUIPMENT SUPPORTED	COMMERCIAL EQUIVALENT
AN/APM-424	Test Set, Transponder	6625-01-076-3416		APA		AN/APX-72 AN/APX-100	
AN/APR-39(V)1	Detecting Set, Radar Signals	5841-01-023-7112					
AN/ARC-114	Front Section, Radio Set	5821-00-134-5955					
AN/ARC-114	Rear Section, Radio Set	5821-00-134-5954					
AN/ARM-5	Test Set, Radio	6625-00-6690272	V86383	APA	TM 11-518 Series	General Purpose	ARC 15009
AN/ARM-5A	Test Set, Radio	6625-00-926-7768	V86383	APA	TM 116625-828 Series	General Purpose	ARC H-14A
AN/ARM-8	Test Set, Radio	6625-00-628-1262	V86520	APA	TM 11-6625-221 Series	AN/ARC-44, 45	Bendix N650194-1
AN/ARM-22	Test Set, Radio	6625-00-523-4291	V86588	APA	TM 1-6625-1650 Series	AN/ARN-52	Hoffman 666097-804
AN/ARM-22A	Test Set, Radio	6625-00-930-9920	V86588	APA	TM 11-6625-1650 Series	AN/ARN-52	Hoffman 666219-806
AN/ARM-31	Test Set, Indicator	6625-00-580-8142	V80012	APA	TM 11-6625-1648 Series	AN/ARN-52	
AN/ARM-31A	Test Set, Indicator	6625-01-179-7719	V80012	APA	TM 11-6625-1648 Series	AN/ARN-52	Stromberg 666096 010
AN/ARM-45	Test Set, Radio	6625-00-855-9447	V86784	APA	TM 11-6625-409 Series	AN/ARC-73	Collins 476M-1
AN/ARM-63	Test Set, Radio	6625-00-868-8323	V87205	APA	TM 11-6625-556 Series	General Purpose	ARC BTK-35A
AN/ARM-68	Test Set, Radio	6625-00-889-1572	V87342	APA	TM 11-6625-447 Series	AN/ARC-44, 45	Admiral GB 3555
AN/ARM-69	Converter, Frequency	6625-00-082-4281	F0101197	APA	TM 11-6625-636 Series	General Purpose	ARC BTK-34A
AN/ARM-71	Test Set, Radio Rec	6625-00-965-1341	V90356	APA	TM 11-6625-583 Series	R-844	Esterline BTS-40
AN/ARM-72	Test Set, Radio Rec	6625-00-965-1341	V90356	APA	TM 116625-583 Series	R-844	Esterline BTS-40
AN/ARM-73 ()	Test Set, Radio						
AN/ARM-84	Test Harness	662500-134-1570	V59632	APA	TM 118625-1649 Series	AN/APN-52	
AN/ATM-87	Test Set, Plug-In Unit	6625-00-908-0358	V76466	APA	TM 114625-487 Series	AN/ARC-54	Collins 522-5684-005
AN/ARM-92	Test Set, Receiver	6625-00-999-5118	V90287	APA	TM 114-625-820 Series	AN/ARN-82	Collins 524459001
AN/ARM-92A	Test Set, Receiver	6625-00-1592399	V90287	APA	TM 11 825-820 Series	AN/ARN-82A	Collins 476U-3
AN/ARM-92B	Test Set, Receiver	6625-00-631-5501	V90287	APA	TM 11-6625-2709 Series	AN/ARN-30, 82 123 R-1983	Collins 622-2301-001
AN/ARM-93	Test Set, DF Set	6625-00-9995119	V73847	APA	TM 11-8625-821 Series	AN/ARN-83	Collins 477U-3
AN/ARM-94	Test Set, Transmitter	6625-00-950-1124	V99295	APA	TM 11-625-834 Series	AN/ART-41A	Singer 85090
AN/ARM-109	Test Set, Antenna Coupler	6862500-903-6385	V63589	APA	TM 11-4625-1838 Series	CU-1658	Collins 980H-1
AN/ARM-115	Test Set, Antenna	6625-00-9354293	V63538	APA	TM 11-4625-1702 Series	AS-2285	Collins 980X-1
AN/ARM-156	Test Set, Radio	6625-00-086-6304	V81663	APA	TM 11-6625-2606 Series	AN/ARN-103	HOFFMAN 8170000930
AN/ARM-180	Test Set, Receiver	6625-01-041-4161	T35551	APA	TM 11-6625-2975 Series	AN/ARN-82 123, R-1963	Collins 479S-6

## TOOLS AND TEST EQUIPMENT MANAGEMENT DATA (CONTINUED)

TYPE NUMBER	NOMENCLATURE	NSN	LIN	FUND	PUBLICATIONS	EQUIPMENT SUPPORTED	COMMERCIAL EQUIVALENT
AN/ARM-186	Test Set, Receiver	6625-00-557-1168	T90321	APA	TM 11-6625-2976 Series	AN/ARN-82, 123, R-1963	Collins 972Q-4
AN/ARN-89 AN/ASM-61	Direction Finder Set Test Set, Gyro Magnetic Compass	5826-790-6453 6625-00-885-5869	V79807	SF	TM 11-6625-247 Series	AN/ASN-13 J-2	ElecBrazing 349-00
AN/ASM-80 AN/ASM-80A AN/ASM-101	Analyzer, Flight Line Analyzer, Flight Line Test Set, Resolver	6625-00-987-9382 6625-00-939-5894 6625-00-086-7844	A55704 A55705 V91178	APA APA APA	TM 11-6625-518 Series TM 11-6625-518 Series TM 11-6625-492 Series	AN/ASW-12 AN/ASW-12 AN/ARN-82 AN/ASN-33	Sperry 2586090 Sperry 2586090-1 Collins 479X-2
AN/ASM-110	Test Set, Indicator	6625-00-863-3402	V80081	APA	TM 11-6625-481 Series	AN/ARN-82 AN/ASN-33	Collins 477Q1
AN/ASM-111	Test Set, Indicator	6625-00-863-3400	V80082	APA	TM 11-6625-480 Series	AN/ASN-33	Collins 477P1
AN/ASM-112 AN/ASM-113 AN/ASM-120	Simulator, Servo Signal Simulator, Nav Signal Simulator, Acft Displacement	6625-00-973-1393 6625-00-863-3403 6625-00-906-6406	T58114 T56676 T54121	APA APA APA	TM 11-6625-482 Series TM 11-6625-479 Series TM 11-6625-613 Series	AN/ASN-33 AN/ASN-33 CH-47 SAS	Collins 474M-1 Collins 477N-1 Boeing 114E5988-1
AN/ASM-121 AN/ASM-125 AN/ASM-126	Test Set, Amplifier Analyzer, Bench Test Test Set, Propeller	6625-00-133-7898 6625-00-987-9381 1610-00-967-9647	V63318 A55156 V83300	PS APA APA	TM 11-6625-614 Series TM 11-6625-517 Series TM 11-6625-548 Series	CH-47 SAS AN/ASW-12 AN/AJA-5	Boeing 114E5989-1 Sperry 2592035 Grumman
AN/ASM-127	Synchrophaser Test Set, Propeller Synchrophaser	1610-00-967-9651	V83305	APA	TM 11-6625-549 Series	AN/AJA-5	134SEAV2001-1 Grumman
AN/ASM-137	Analyzer- Charger, Battery	6625-00-759-2882	A55293	APA	TM 11-6625-678 Series	NICAD Batteries	134SEAV2501-1 Sonotone PCA-131
AN/ASM-137A	Analyzer- Charger, Battery	6130-00-238-4433	A55293	APA	TM 11-6130-367 Series	Nicad Batteries	Western 170-008-000-0
AN/ASM-289 AN/ASM-297 AN/ASM-298 AN/ASM-299	Test Set, Power Supply Test Set Module Test Set, Bench Test Set, Line Maintenance	6625-00-927-3516 4920-00-839-6672 4920-00-851-8749 4920-00-851-8747	V83129 V81671 V69826 V81485	APA APA APA APA	TM 11-6625-687 Series TM 11-6615-253 Series TM 11-6615-252 Series TM 11-6615-254 Series	AN/ASN-64 AN/ASN-76 AN/ASN-76 AN/ASN-76	Marconi 409-050 GE A2141 GE A2140 GE A1976G4
AN/ASM-329	Test Set, Flight Control	4920-00-087-6643	V69841	APA	TM 11-4920-294 Series	AN/ASW-29	Sikorsky 6470-90010-012
AN/ASM-330	Test Set, Flight Control	4920-00-087-6644	V77512	APA	TM 11-4920-293 Series	AN/ASW-29	Sikorsky 6470-90120-014
AN/ASM-338	Test Set, Electronic Systems	6625-00-878-7990	Z83073	APA	TM 11-6625-1704 Series	AH-SCAS	570-091-020-1 (Bell)
AN/ASM-339(V)1	Calibrator Set, Magnetic Compass	6605-00-782-0281	C75260	APA	TM 11-4920-292 Series	AN/ASN-43 DT-173/AJN	Sperry 2592080-8

## TOOLS AND TEST EQUIPMENT MANAGEMENT DATA (CONTINUED)

TYPE NUMBER	NOMENCLATURE	NSN	LIN	FUND	PUBLICATIONS	EQUIPMENT SUPPORTED	COMMERCIAL EQUIVALENT
AN/ASM-365	Test Set, Reproducer Converter	6625-01-008-8738	R83677	SF	TM 11-6625-1817 Series	AN/ASH-19	Nortronlcs 09636600-601B
AN/ASM-385	Test Set, Gyro Stab Platform	6625-00-404-3281	V79841	APA	TM 11-6625-2440 Series	AN/ASN-86	Litton 237109
AN/ASM-386	Test Set, Nav Computer Cont Ind	6625-00-404-3280	V81884	APA	TM 11-6625-2441 Series	AN/ASN-86	Litton 237110
AN/ASM-404	Test Set, Analog Module	6625-00-470-7540	V63420	APA	TM 11-6625-2439 Series	AN/ASN-86	Litton 244675
AN/ASM-416	Test Set, Signal Converter	6625-00-463-4013	V92171	APA	TM 11-6625-2411 Series	CV-2809/ ASH-19	RCA 2147979-501
AN/ASM-417	Test Set, Bench Flight Control Set	4920-00-176-4112	V69862	APA	TM 11-48920-294 Series	CH-54B AFCS	Sikorsky 6470-901 50-041
AN/ASM-418	Test Set, Flight Control Set	4920-00-176-4114	V77546	APA	TM 11-4920-293 Series	CH-54B AFCS	Sikorsky 6470-90130-041
AN/ASM-421	Test Set, Digital Module	6625-00-480-5697	V73770	APA	TM 11-6625-2481 Series	AN/ASN-86	Litton 244935
AN/ASM-615	Electronic Shop, Mobile	4940-01-053-5534	Z25336	APA		GRV	
AN/ASM-617	Electronic Shop, Mobile	4940-01-0724449	Z25339	APA		GRV	
AN/AYM-1	Test Set, Indicator Controller	6625-00-927-3507	V80560	APA	TM 11-6625-686 Series	AN/ASN-64	Marconi 409-045
AN/AYM-8	Test Set, Signal Data Converter	6625-00-137-2289	V92239	APA	TM 11-6625-2479 Series	AN/AYA-10	Grumman 134SEAV10001-1
AN/AYM-9	Test Set, Con Mon Rec Head	6625-00-150-1882	V71792	APA	TM 11-6625-2478 Series	AN/AYA-10	Grumman 134SEAV10012-1
AN/GKM-2	Test Set, Radar Data	6625-00-855-8996	V90424	APA	TM 11-6625-827 Series	AN/TKQ-2	motorola 201-31584
AN/GKM-2A	Test Set, Radar Data	6625-00-906-3325	V90424	APA	TM 11-6625-827 Series	AN/TKQ-2	Motorola 01-22120G01
AN/GPM-42	Test Set, Signal	6625-00-682-4815	V83780	APA	TM 11-6625-272-569	AN/APS-94C	Motorola 201-21761
AN/GPM-46	Comparator Test Set, Radar	6625-00-855-8938	V83917	APA	Series TM 11-6625458-561	AN/APS-94C	Motorola 201-29140
AN/GPM-52	Test Set, Indicator	6625-00-987-9453	V80355	APA	Series TM 11-6625-562 Series	AN/APS-94C	Motorola 201-42552
AN/GPM-60	Simulator, Doppler	6625-00-945-8494	T55412	APA	TM 11-5841-267 Series	AN/ASM-64	Marconi 409-030
*AN/GPM-61	Test Set, Indicator	6625-00-144-3179	V80423	APA	TM 11-6625-1749 Series	AN/APS-94D	Motorola 01 P00690A001
AN/GSM-6	Test Set, Insulation Breakdown	6625-00-542-1331	V81177	PS	TM 11-6625-273 Series	General Purpose	Biddle 1-22001

TOOLS AND TEST EQUIPMENT MANAGEMENT DATA (CONTINUED)

TYPE NUMBER	NOMENCLATURE	NSN	LIN	FUND	PUBLICATIONS	EQUIPMENT SUPPORTED	COMMERCIAL EQUIVALENT
AN/GSM-64 AN/GSM-4A AN/GSM-64B AN/GSM-64C AN/GSM-65	Voltmeter, Digital Voltmeter, Digital Voltmeter, Digital Voltmeter, Digital Test Set, Motor Generator	6625-00-870-2264 6625-00-165-5779 6625-00-022-7894 6625-01-124-0834	Y14526 Y14526 Y14526 V81862	APA APA APA APA	TM 11-6625444 Series TM 11-6625-2616 Series TM 11-6625444 Series TM 11-6625-680 Series	General Purpose General Purpose General Purpose General Purpose	Nonlinear V35A Nonlinear 34-2 Fluke 8400A Advance Inst 154-01
*AN/MSM-105(V)1 AN/PPM-1	Test & Repair System Generator, Pulse	6625-01-098-6764 6625-00-503-0661	T99930 J33711	APA SF	TM 11-6625-3019 Series TM 11-6625-237 Series	AN/ALQ-147 AN/APN-1 58, AN/ARN-52	HP 212A
AN/PPM-10	Test Oscillator	6625-00-339-2046	V82547	PS	TM 11-6625-276 Series	AN/APS-94C, AN/ARC-44	Taffet 9TV
AN/PRM-32	Test Set, Radio	6625-00-803-3399	V87599	APA	TM 11-6625-2632 Series	AN/PRC-90	SYLVANIA 01-520498-2
AN/PRM-32A	Test Set Radio	6625-01-013-9900	V87599	APA	TM 11-6625-2632 Series	AN/PRC-90, ACR RC/TS-20	
*AN/PRM-34	Test Set, Radio	6625-01-094-5646	R93169	APA	TM 11-6625-3015 Series	ANNRC-12, AN/PRC-68	
AN/PSM-45() ANAJAM 11	Multimeter, Digital Simulator Set, Sys Ind	6625-01-139-2572 5895-00-949-5303	Z22155 T58148	SF APA	TM 118625-3052 Series TM 11-5895-519 Series	General Purpose AN/AAS-14,	Simpson 467 Singer 80981
AN/UAM-12	Test Set, Signal Data Conv	6625-00-916-9688	V92307	APA	TM 11-6625-832 Series	AN/ART-41, AN/TAQ-1	Singer 89110
ANI/UDM-1	Test Set, Radiac	6665-00-669-0077	C75466	PS	TM 11-6665-217 Series	AN/ADR-6	
AN/UDM-2	Test Set, Radiac	6665-00-179-9037	C75606	APA	TM 11-6665-217 Series	AN/ADR-6	
AN/UKM-5	Test Set, Electronics Systems	6625-01-073-9858	E61066	APA	TM 11-6625-2937 Series	AN/AKT-188, AN/TKQ-28	
AN/UPM-15 AN/UPM-15A AN/UPM-33A	Generator, Pulse Generator, Pulse Test Set, Radar	6625-00-643-5959 6625-00-682-2581 6625-00-539-8587	J33780 J33780 V84328	APA APA PS	TM 11-6625-368 Series TM 11-6625368 Series TM 11-6625-297 Series	General Purpose General Purpose AN/APS-94C, AN/TPN-18	Stamford AS-1018 ARF 1-1997
AN/UPM-84 AN/UPM-84A AN/UPM-93 AN/UPM-93C AN/UPM-98A	Analyzer, Spectrum Analyzer, Spectrum Test Set, Electrical Power Test Set, Electrical Power Test Set, Radar	6625-00-557-8262 6625-00-411-3072 6625-00-581-2097 6625-00-971-6210 6625-00-912-0429	A56937 A56937 V74738 V74738 V84876	APA APA SF SF APA	TM 11-6625-359 Series TM 11-6625-359 Series TM 11-6625-303 Series TM 11-6625-303 Series TM 11-6625-403 Series	General Purpose General Purpose General Purpose General Purpose AN/APX-44, 72, 100	Polarad B110026 Aul A15216 Winslow 364-1 Tnlon 15-001 Admiral GJ4710

## TOOLS AND TEST EQUIPMENT MANAGEMENT DATA (CONTINUED)

TYPE NUMBER	NOMENCLATURE	NSN	LIN	FUND	PUBLICATIONS	EQUIPMENT SUPPORTED	COMMERCIAL EQUIVALENT
AN/UPM98-B	Test Set, Radar	6625-00-403-7990	V84876	APA	TM 11-6825-403 Series	AN/APX44, 72, 100	Admiral GE4711
AN/UPM-133	Analyzer, Spectrum	6625-00-013-7033	A57211	APA	TM 11-6625-607 Series	General Purpose General Purpose	Singer SB15A
AN/URM-25D	Generator, Signal	6625-00-649-5193	J52549	APA	TM 11-6625-278 Series		Federal 315
AN/URM-25F	Generator, Signal	6625-00-643-1548	J52549	APA	TM 11-5551		New London 162-D-003
AN/URM-44	Generator, Signal	6625-00-643-2811	J52823	APA	TM 11-6625412 Series	AN/APR-25/26	
AN/URM-44A	Generator, Signal	6625-00-990-7700	J52823	APA	TM 11-6625-412 Series	AN/APR-25/26	Cosmos 135D000
ANRJRM-52	Generator, Signal	6625-00-556-8107	J53234	PS	TM 11-6625-214 Series	AN/ALR-46 AN/APN-17	HP 618BE106
AN/URM-52B	Generator Signal	6625-00-965-1501	J53234	PS	TM 11-6825-214 Series	General Purpose	Inland C-674-100
AN/URM-61A	Generator, Signal	6625-00-519-2056	J53371	APA	TM 11-6625-268 Series	AN/ALR-46	Transltron C-0153-03007
AN/URM-64	Generator, Signal	6625-00-553-0433	J53508	APA	TM 11-6625-299 Series	AN/APX-44, 72	Bay C0161-04001
AN/URM-64A	Generator, Signal	6625-00-087-4795	J53508	APA	TM 11-6625-299 Series	AN/APX-44, 72	Onon
AN/URM-79	Frequency Meter	6625-00-668-9749	J00593	APA	TM 11-6625-300 Series	AN/ARN-52	031204-000
AN/URM-80	Frequency Meter	6625-00-649-4286	J00730	APA	TM 11-6625-284 Series	General Purpose	Lavole 131135
AN/URM-81	Frequency Meter	6625-00-539-9910	J00867	APA	TM 1106625-312 Series	General Purpose	
AN/URM-90	Test Set, Cap-Ind-Res	6625-00-534-7458	C20551	SF	TM 11-6625-317 Series	General Purpose	Electro 250DA
AN/URM-98	Wattmeter	6625-00-566-4990	Y38404	PS	TM 11-6625-433 Series	AN/APN-171	HP 430C
AN/URM-101B	Radio Test Set	4920-00-911-7246	V87684	APA	TM 11-6625-1634 Series	AN/ARN-52	General 374-2
AN/URM-103	Generator, Signal	6625-00-868-8352	J53682	APA	TM 11-6625-586 Series	General Purpose	Marconi TF1066B
AN/URM-105	Multimeter	6625-00-581-2036	M80002	PS	TM 11-6625-203 Series	General Purpose	
ANIURM-105B	Multimeter	6625-00-884-1758	M80002	PS	TM 11-6625-203 Series	General Purpose	
ANIURM-105C	Multimeter	6625-00-999-6282	M80002	PS	TM 11-6625-203 Series	General Purpose	Barnett B105
ANIURM-120	Test Set, RF Power	6625-00-790-2746	V89534	SF	TM 11-6625-446 Series	General Purpose	Sierra SK13009-4
AN/URM-120A	Test Set, RF Power	6625-01-039-1488	V89534	SF	TM 11-6625-2982 Series	General Purpose	Sierra 164B-G3
*AN/URM-127	Generator, Signal	6625-00-783-5865	J53712	APA	TM 11-6625-683 Series	General Purpose	
AN/URM-145	Voltmeter, Electronic	6625-00-973-3986	Y14663	PS	TM 11-6625-524 Series	General Purpose	Boonton 91CA
AN/URM-145B	Voltmeter, Electronic	6625-01-119-7271		PS	TM 11-6625-524 Series	Millivac MV-828A	
AN/URM-157	Test Harness	6625-00-766-4685	V62066	APA	TM 11-6625-622 Series	AN/ARC-102	Collins 678P-2
AN/URM-157A	Test Harness	6625-00-236-1557	V62066	APA	TM 11-6625-622 Series	AN/ARC-102	
AN/URM-172	Test Set, Radio	6625-00-832-8551	V89601	APA	TM 11-6625-1698 Series	AN/URC-10	ARC Elec 56-06-0015P
AN/URM-184A	Distortion Analyzer	6625-00-802-8718	G26515	APA	TM 11-6625-1576 Series	AN/ARC-164(V)12	HP 334A
AN/URM-200	Analyzer, Interference	6625-01-083-9446	Z53850	APA	TM 11-6625-2949 Series		



TOOLS AND TEST EQUIPMENT MANAGEMENT DATA (CONTINUED)

TYPE NUMBER	NOMENCLATURE	NSN	LIN	FUND	PUBLICATIONS	EQUIPMENT SUPPORTED	COMMERCIAL EQUIVALENT
*AN/URM-206 AN/USA-34 AN/USM-37E  AN/USM-44A	Generator, Signal Reader, Punched Tape Indicator, SWR  Generator, Signal	6625-01-077-8503 6625-00-491-3491 6625-00-197-6910  6625-00-539-9685	S72214 R17080 K79859  J53782	APA APA PS  PS	TM 11-6625-2948 Series TM 11-5850-222 Series TM 11-6625-369 Series  TM 11-6625-508 Series	AN/ASN-86 AN/APS-94C, AN/TPN-18 General Purpose	POL 1608EY  HP 415B  HP E02-608D
AN/USM-44B AN/USM-44C AN/USM-47 AN/USM-48 AN/USM-81 AN/USM-83 AN/USM-98	Generator, Signal Generator, Signal Generator, Signal Generator, Signal Oscilloscope Wattmeter, Calorimetric Voltmeter, Electronic	6625-00-176-5708 6625-00-138-7773 6625-00445-6917 6625-00-859-3421  6625-00-715-5590 6625-00-753-2115	J53782 J53782 Z29309 Z31906  Y38952 Y14800	PS PS PS  APA APA	TM 11-6625-508 Series TM 11-6625-2697 Series TM 11-6625-2910 Series TM 11-6625-2909 Series  TM 11-6625-383 Series TM 11-6625-438-599	General Purpose General Purpose    AN/TPN-18 General Purpose	HP E02-608E Aul 100713 HP 626A HP 628A  Cubic MC-18 Trio 801
AN/USM-108 AN/USM-108B AN/USM-117 AN/USM-119 AN/USM-127A	Generator, Time Mark Generator, Time Mark Oscilloscope Adapter Generator, Signal	6625-00-628-6515 6625-00-038-7371 6625-00-787-0304 6625-00-773-6102 6625-01-014-4587	J59810 J59810 N30231 A13797	APA APA APA SF APA	TM 11-6625-542 Series TM 11-6625-542 Series TM 11-6625-640 Series TM 11-6625-476 Series	AN/APX-44 AN/APX-44 TSEC/KY-28 AN/TPN-18 AN/ARQ-33A, AN/ARM-163, AN/ARM-83	Tektronix 180A PPM C-3924A Elec Tube 3211E3161 MELS 189-100
AN/USM-140A AN/USM-159 AN/USM-161 AN/USM-183 AN/USM-187  AN/USM-198A	Oscilloscope Frequency Meter Test Set, RF Power Multimeter, Electronic Test Set, Radar  CRT Fixture Measuring	6625-987-6603 6625-00-892-5360 6625-00-892-5541 6625-00-821-2688 6625-00-073-8082  6625-00-073-8908	J01004 V89808   V86331  H62953	APA APA PS APA  APA	TM 11-6625-486 Series TM 11-6625-498 Series  TM 11-6625-591 Series  TM 11-5840-274 Series	General Purpose General Purpose C-12 AN/APS-94C  AN/AKT-18, AN/APS-94C	Lavoie K-50110200 Gen Microwave 457 HP 412A Motorola 01-27898C01 Motorola 01-27865A01
AN/USM-203  AN/USM-203A AN/USM-205 AN/USM-205A AN/USM-207 AN/USM-207A AN/USM-213 AN/USM-223 AN/USM-224 * See Late Additions	Generator, Sweep Signal  Generator, Sweep Signal Generator, Signal Generator, Signal Counter, Electronic Counter, Electronic Generator, Signal Multimeter Voltmeter	6625-00-935-0145  6625-00-455-6894 662500-788-9672 6625-01-0074796 6625-00-911-6368 6625-00-044-3228 6625-00-872-3215 6625-00-999-7465 6625-00-727-4706	J58919  J58919 J53944 J53944 F19198 F19198 J53974 M80242 V60660	APA  SF APA APA APA APA SF SF PS	TM 11-6625-1559-2575 Series TM 11-6625-2575 Series TM 11-6625-665 Series TM 11-6625-2644 Series TM 11-6625-700 Series TM 11-6625-700 Series TM 11-6625-1517 Series TM 11-6625-654 Series TM 11-6625-1541 Series	General Purpose  General Purpose AN/APS-94C AN/APS-94C General Purpose General Purpose AN/APR-39(V)1 General Purpose AN/ARN-52	Jerrold 912-423  Texscon 200-441 HP 650A HP 650A Dynasciences 6871 Emltch C1804 HP 8614A  HP 3400A

## TOOLS AND TEST EQUIPMENT MANAGEMENT DATA (CONTINUED)

TYPE NUMBER	NOMENCLATURE	NSN	LIN	FUND	PUBLICATIONS	EQUIPMENT SUPPORTED	COMMERCIAL EQUIVALENT
AN/USM-231 AN/USM-260 ANI/USM-264 AN/USM-265A	Meter, Admittance Test Set, RF Power Generator, Signal Electronic Voltmeter	6625-00-511-0512 6625-00-917-3099 6625-00-935-4214 6625-01-069-4088	T14956	SF PS APA	TM 11-6625-1549 Series TM 11-6625-1842 Series	AN/ARC-54 General Purpose AN/AAS-24	GR 1602B HP 432 HP 652A
AN/USM-281A AN/USM-281C AN/USM-281E AN/USM-298 AN/USM-303 AN/USM-303A AN/USM-365(V)1	Oscilloscope Oscilloscope Oscilloscope Test Set, RF Power Multimeter Multimeter Recorder, Thermal Oscillograph	6625-00-228-2201 6625-00-106-9622 6625-00-134-1407 6625-00-880-5119 6625-00-933-2406 6625-00-168-0585 6625-00-230-3835	N30572 N30572 N30572 V89876 M80259 M80259 R49403	APA APA APA SF APA APA APA	TM 11-6625-1703 Series TM 11-6625-2658 Series General Purpose AN/FSQ-75 TM 9-6625-1754 Series TM 96625-1754 Series TM 11-6625-2507 Series	General Purpose General Purpose DuMont 1950A Bird 43 General Purpose General Purpose AN/ASN-86	HP 1551 Tektronix 7603N-115  Western 300M Western 300MA HP 7706B-14
AN/USM4100(V)1 AN/USM-410(/)2 AN/USM-410(V)3 AN/USM-423 *AN/USM-432 AN/USM451	Test Station Test Station Test Station Test Set, Telephone Charger-Analyzer, Battery Multimeter	6625-01-070-3658 6625-01-069-4223 6625-01-077-5452 6625-01-015-6563 6130-01-055-1574 6625-01-060-6804	T49896 T99930 T99998 V94637 A83127 Z45258	APA APA APA APA APA APA	TM 11-6625-2773 Series TM 11-6625-2773 Series TM 11-6625-2773 Series TM 11-6625602 Series TM 11-6130-413 Series TM 11-6625-2953 Series	AH-64 Version  AN/TSQ-97 NICAD Batteries AN/APS-94F AN/PRC-90 HP 5328AIE42	HP 3550B  Battantine 9632M
AN/USM-459	Counter, Electronic	6625-01-061-8928	C1 9266	APA	TM 11-6625-2941 Series		
AN/USM-486 AN/USM-488 AN/USM-489(V)1 AN/USM-490 ANNRM-1	Multimeter, Digital Oscilloscope Analyzer, Spectrum Voltmeter, Freq Selective Test Set, Radio	6625-01-145-2430 6625-01-187-7847 6625-01-079-9495 6625-01-138-3351 6625-00-892-5542	Z45310 Z47513 S01416 F60502 V88027	PS  APA APA APA	TM-116625-496 Series	AN/ARC-131	AVCO 837149
AS-3344/APS-94F BB-507/U BC-376M/U C-8099/ASN-76 C-9539/ALM-153 C-9682A/ ARC-164(V) CM-77A/USM	Horn, Waveguide Battery, Type Generator, Signal Controller Synthesizer, Scan Control Radio Set Control  Comparator, Frequency	5985-01-070-3881 6140-01-034-3136 6625-00-724-9593 6605-00-933-4280 5865-01-024-0391 5821-00-607-8531  6625-00-080-7204	  J54330      E61584	  PS PS    PS	TM 11-6625-522 Series      TM 11-6625-493 Series	General Purpose AN/ASN-76     General Purpose	HP 540B
CN-16/U CN-318/G  CN-673/U	Transformer, Variable Attenuator, Variable  Attenuator, Variable	5950-00-688-5722 5895-00-623-0255  6625-00-602-2089	X09635 A98563  	SF SF  SF	TM 11-5890-205 Series AN/ARC-115,  	General Purpose  116, RT-1167, GRCR874-LBA AN/TPN-18	

## TOOLS AND TEST EQUIPMENT MANAGEMENT DATA (CONTINUED)

TYPE NUMBER	NOMENCLATURE	NSN	LIN	FUND	PUBLICATIONS	EQUIPMENT SUPPORTED	COMMERCIAL EQUIVALENT
CN-713/U CN-796/U CN-801/U CN-802/U CN-970/U	Attenuator, Variable Attenuator, Variable Attenuator, Fixed Attenuator, Variable Attenuator, Variable	5985-00-889-0012 5985-00-087-2547 5985-00-557-7860 5895-00-857-1289 5985-00-993-1377	A99111 A99659 A98015 A99796 Z06962	SF SF SF PS SF	TM 11-5985-237 Series  TM 11-5985-238 Series	AN/APS-94C General Purpose AN/APS-94C AN/APS-94C AN/APS-94C, AN/ARC-54, 114	NDL VAX-738 Kay 30-0 PRD 130D PRD 180A
CN-1128/U CN-1774/U CN-1201/U CN-1238/U CN-1239/U	Attenuator, Variable Attenuator Attenuator, Fixed Attenuator, Fixed Attenuator, Fixed	5985-00-957-1860 5985-00-491-4305 5985-00-626-4370 5905-00-054-5093 5985-00-888-8714	   A98083 A98084	SF SF SF SF SF		AN/ARC-54, 114 AN/PRC-90 AN/ALR-46  AN/ARC-186	HP 355D   Fred av 3700110 Measurements Corp 80ZH3 Federal Tel CA 403-A
CN-1240/U CN-1285/U CP-772A/U CU-988/U CU-1796/ARC-114  CU-1794/ARC-114	Attenuator, Variable Attenuator, Fixed Counter, Electronic Coupler, Directional Quadrature Hybrid Impedance Matching Network Impedance Matching Network	5905-00-057-8628 5985-00-454-6925 6625-00-922-3586 5985-00-889-4217 5915-00-056-4951  5915-00-0564953	A99952  F18614 F25555	SF SF APA SF	TM 11-6625-1548 Series	AN/ASC-15 AN/APS-94C	AN/PRC-90 HP 5245L GE 7729070G2
CV2002/U CV-3059/U  CX-11779/U CX-11934/U DA-75/U DA-340/URC	Converter, Frequency Converter, Frequency Electronic Cable Assembly Cable Assembly Dummy Load, Electrical Dummy Load	6625-00-058-3042  6150-00-410-9880 6150-00-935-8722 6625-00-177-1639 5821-00-019-6315	   G77126	  SF SF SF SF		General Purpose AN/ARC-102	NICAD Batteries NICAD Batteries Bird 82A
DA-638/ DA-691/APS-94F 30 DB Attenuator DT-307/G  FM-103 FM-145  FRG-81 (V) FR-126/U	Test Load, Adjustable Dummy Load-Coupler NARDA 766-30 Detector, RF  Timer, Stop Toolkit, Photographic Repair Tool Kit TM-186() Wavemeter	6625-00-422-2111 6625-01-069-4225  6625-00-876-3106  6645-00-583-0066 5180-00-078-5307  5180-912-3430 6625-00-787-0248	   Z53787  W21754 W47800  Y41049	SF  SF SF SF SF SF		AN/TKQ-2B  AN/ARC-114, 115, 116 AN/ASN-64  AN/ASN-64	Telonic XD3A  Lackner AC-101-2 ES-38  HP X532B

## TOOLS AND TEST EQUIPMENT MANAGEMENT DATA (CONTINUED)

TYPE NUMBER	NOMENCLATURE	NSN	LIN	FUND	PUBLICATIONS	EQUIPMENT SUPPORTED	COMMERCIAL EQUIVALENT
FR-146/U GR 1000-P10 H-33/PT H-101A/U	Wavemeter General Radio Test Loop Handset Headset Microphone	6625-00-973-4183 5965-00-163-9947 5965-00-627-8382	Y41186 K14403 K23609	SF SF		AN/APX-44 TSEC/KY-28 General Purpose	FXR N410A
H-104/G H-157/AIC H-1891/GR H-216/U H-250/U HD-544A/ASM HP-339A HP-6433B HP 10514A	Headset Headset-Microphone Handset Headset Handset Air Cooler Distortion Analyzer Power Supply Mixer	5965-00-296-9910 5965-00-755-4656 5965-00-069-8886 5965-00-892-3353 5965-00-043-3463 4140-00-868-1817 6625-01-087-7258 6130-00-199-0147 5985-00-087-7414		SF SF SF SF SF PS	TM 11-5965-210 Series General Purpose TM 11-5965-280 Series General Purpose TSEC/KY-58 AN/ARN-52	AN/ARN-103 TSEC/KY-28	
CB-234/U HS-33A 1-199  ID-851/U ID-985/ASN ID-1142/APS-94  ID-1450/ASN IM-92( )/U	Headset Test Set, Electrical  Indicator Assy, Flutter Indicator, Muster Panel, Monitor  Indicator, Precise Angle Slotted Line, Waveguide	5965-295-7160 6625-00-229-1065  6760-00-776-6979 6625-00-868-8338 5840-00-987-9175  6615-00-851-8754 6625-692-6558	V74327	PS APA APA SF APA	TM 11-2604  TM 11-6760-212 Series TM 11-5841-238 Series TM 11-5840-275 Series  TM 11-6615-250 Series	AN/ARC-45, ARN-30 AN/ASH-19 MA-I(D) AN/APS-94C  AN/ASN-76	Chicago Ind 1062  RCA 203352 Bendix 13647-1A Motorola 01-27868A01 GE A2026
IM-157E/U  IM-175/U  IN-3117  IP-173/U	Indicator Standing Wave Ratio Indicator, Standing wave, Ratio Resistance Decade Kilohms MAX 1 OHM Steps Indicator, Panoramic	6625-00-484-8654  6625-892-5670   6625-00-224-5500					
IP-173A/U IP-1216(P)/GR  KYK-13/TSEC KYK-15TSEC LA-360  LA-387A	Indicator, Panoramic Analyzer, Spectrum  Electronic TSF Dev Net Control Device Alignment Fixture  Timer, Digital	6625-00-699-8116 6625-00-424-4370  5810-01-0269618 5810-01-026-9619 6760-00-999-6089  6645-00-877-8380	K77941 A57322  E98103 N02758 A34599  W21317	PS SF APA APA SF APA	TM 11-5086  TM 11-5820-236 Series TM 11-6625-2781 Series  TSEC/KY-58 TSEC/KY-58 KS-104, KS-113,  TM 11-6760-242 Series	AN/ARC-44 AN/ARC-44 AN/USQ-61A, AN/ARW-83  LS-59 KA-76A, KS-104, KS-113	Metrics SB-8 Singer 5B8A HP 141T  HP 5233LG050056

## TOOLS AND TEST EQUIPMENT MANAGEMENT DATA (CONTINUED)

TYPE NUMBER	NOMENCLATURE	NSN	LIN	FUND	PUBLICATIONS	EQUIPMENT SUPPORTED	COMMERCIAL EQUIVALENT
LM-229A LM-27	Film Cassette Test Set, Photo Cartridge Ejector	6760-01-063-1597 6760-00-302-4773	V62545	APA	TM 11-6760-218 Series	LA-136, LS-38	Lambert IE-1620
LM-33-1	Flash Unit, Photo Repeater	6760-00-837-5328	H72892	APA	TM 11-6760-213 Series	LS-38	
LM-3	Test Set, Camera	6760-00-709-6022	V70149	APA	TM 11-6760-211 Series	KA-30 (), LA-136, LS-38	Victor SMD349431
LM-178A LS-33A	Test Adapter, Camera Tester, Camera Shutter Speed	6760-00-878-0591 6760-00-064-5115	A14752 170316	APA APA	TM 11-6760-221 Series	KS-113 KA-39()	Aero Ind 7111-100-1 Boums 2996-350-1
LS-34A	Test System, Photographic Surveillance	6780-00-064-5113	W01454	APA	TM 11-6760-220, 221 Series	General Purpose	2996-100-1
LS-35A	Analyzer, Photo Surv System	6760-00-083-0363		SF	TM 116760-220 Series	KA-76A	Boums 2996-300-1
LS-36A LS-39 LS-40A	Simulator, Photo Test Set, Photo Preflight Test Set, Photo Surv Sys	6760-00-083-8322 6760-00-992-9435 6720-00-897-8434	Z73782 V82821 V82958	SF APA APA	TM 11-6760-220 Series TM 11-6780-216 Series TM 11-6720-217 Series	KA-76A LS-38 LS-38	Boums 10000009 Grumman 134SEAV1006-1 Boums 5086-400
LS-44	Analyzer, Still Picture Camera	6760-00-064-5117	A58307	APA	TM 11-6760-220 Series	KA-30(), LA-136, LS-38	Boums 2998-100
LS-45A	Test Set, Photo Surveillance	6760-00-064-5118	V82889	APA	TM 11-6760-220 Series	LA-136, LS-38	Boums 2998-100
LS-46A	Test Set, Photo Surv Sys	6760-00-064-5114		APA	TM 11-6760-221 Series	KA-30(), KA-39 0	Boums 2998-200
LS-47A	Test Set, Photo Surv Sys	6760-00-981-5055	Z83812	APA	TM 11-6760-221 Series	KA-76A, KS-104 KS-113	Boums 2998-900
LS-48A	Tool kit, Camera Mount	6780-00-064-5112	A35490	APA	TM 11-6760-220 Series	KA-76A, LA-136, LS-38	Boums 5102-100
LS-49A	Toolkit	6780-00-064-5116	W34100	APA	TM 11-6760-221 Series	KA-39 ()	Boums 6038-100
LS-50 LS-51A	Test Set, Converter Test Set, Scanner Alignment	6780-00-973-2216 6780-00-973-3885	V71861 V91589	APA APA	TM 11-6760-220 Series TM 11-6760-220 Series	KS-104, LS-38 LS-38A	Boums 5086-200 Bourns 5202-100
LS-69A	Test Set, Photo Flasher	6760-00-999-5662	V82845	APA	TM 11-6760-232 Series	KS014, KS-113, LS-59	
LS-70A	Test Set, Photo Flasher Sys	6780-00-999-4374	V82855	APA	TM 11-6780-220 Series	KS-104, KS-113, LS-59	Bourns 17148-1000
LS-71A	Test Set, Camera Sys	6760-00-937-1918	V70183	APA	TM 11-6720-230 Series	KA-60B	Fairchild 1134H2F532

TOOLS AND TEST EQUIPMENT MANAGEMENT DATA (CONTINUED)

TYPE NUMBER	NOMENCLATURE	NSN	LIN	FUND	PUBLICATIONS	EQUIPMENT SUPPORTED	COMMERCIAL EQUIVALENT
LS-78A	Test Set, Control Panel	6760-00-878-0592	V70593	APA	TM 11-6760-238 Series	KA-76A, KS-104, KS-113	Boums 7110-100-1
LS-79A	Tool kit, Camera	5180-00-877-8714	W34134	APA		KA-76A, KS-1 04(D)	Boums 5102-3000
LS-80A	Test Set, Analyzer Camera	6760-00-878-0593	V63469	APA	TM 11-6760-239 Series	KA-76A, KS-104 KS-113	Boums 7109-100-1
LS-86A	Test Set, Camera	6760-00-922-2680	V70200	APA	TM 11-6760-244 Series	KA-60C	Fairchild 1214H1
LS-89A	Analyzer Set, Photo Surv Sys	6760-00-462-3041	A56235	APA	TM 11-6760-245 Series	KA-76A, KS-104 KS-113	Boums 2996-300-2
M22520/2-01	Crimping Tool	5120-00-042-7076					
M22520/2-07	Positioner	5120-00-017-3827					
M22520/2-09	Positioner	5120-00-017-3929					
M22520/2-10	Positioner	5120-00-017-3932					
M-52A/U	Microphone, Carbon	5965-00-646-4678	M40294	SF		AN/ARC-134	Seaview 177-0-1
MB-1	Tester, Pitot and Static System	4920-00-474-8311	W03735	APA		General Purpose	
MD-83A/ARN	Modulator	6625-00-539-8536	M64001	SF	TM 11-6625-588 Series	AN/ARN-30, 82, 123	Collins 380
MD-141-SMA MEJTA-T6304	Mixer Covert Window Loading Fixture	4920-01-046-7375					
ME-26B/U	Multimeter	6625-00-646-9409	M80276	SF	TM 11-6625-200 Series	General Purpose	HP 410B
ME-26D/U	Multimeter	6625-00-913-9781	M80276	SF	TM 11-6625-200 Series	General Purpose	
ME-30 (/)/U	Voltmeter, Electronic	662500-643-1670	M80413	PS	TM 11-6625-320 Series	General Purpose	HP 400D
ME-30A/U	Multimeter	6625-643-1670					
ME-30F/U	Voltmeter, Electronic	6625-00-420-9354		PS	TM 11-6625-2745 Series	General Purpose	
ME-57/U	Meter, Modulation	6625-00-647-3737	M38609	APA	TM 11-6625-400 Series	General Purpose	
ME-57A/U	Meter, Modulation	6625-00-432-7312	M38609	APA	TM 11-6625-400 Series	General Purpose	
ME-65A/U	Ammeter	6625-00-985-5251	A38401	SF	TM 11-6625-585 Series	ANITAQ-1	Weston 196645
ME-202/U	Voltmeter, Electronic	6625-00-709-0288	Y14937	PS	TM 11-6625-537 Series	General Purpose	Fluke 803
ME-202B/U	Voltmeter, Electronic	6625-00-972-4046	Y14937	PS	TM 11-6625-537/2724 Series	General Purpose	Fluke 803B
ME-221/U	Ammeter	6625-00-892-5863	A38538	SF		AN/ASN-33	Weston 253983
ME-223/U	Voltmeter, Phase Angle	6625-00-810-3917	Y13219	APA	TM 11-6625-525 Series	General Purpose	No Atlantic 202BR
ME-227/U	Voltmeter, Electronic	6625-00-555-2312	Y13224	SF	TM 11-6625-610 Series	AN/ASN-43, AN/ASW- 12	Millivac MV-17C

## TOOLS AND TEST EQUIPMENT MANAGEMENT DATA (CONTINUED)

TYPE NUMBER	NOMENCLATURE	NSN	LIN	FUND	PUBLICATIONS	EQUIPMENT SUPPORTED	COMMERCIAL EQUIVALENT
ME-227A/U	Voltmeter, Electronic	6625-00-160-0622	Y13224	SF	TM 11-6625-610 Series	AN/ASN-43, AN/ASW-12	Robertson 353
ME-231/FYQ-5 ME-254/U	Voltmeter, Digital Meter, Flutter & Wow	6625-00-013-2630 6625-00-987-8527	V93233	SF APA	TM 11-6625-670 Series	AS-113A AN/ASH 23, 24	HP 3440A Amplifier Corp 590-H-1
ME-303A/U ME-318/U ME-356/U	Multimeter RMS Voltmeter Mter, Audio Level	6625-00-969-4105 6625-00-727-4706 6625-00-827-3958	M80991 M37581	APA SF	TM 11-6625-1614 Series	TSEC/KY-28	Hewlett Packard 410C Edison OP-182B
ME-426/U ME-441/U	RF Voltmeter Power Meter	6625-00-113-3491 6625-00-436-4883	P61827	PS		AN/APN-215, AN/APS-94F	
ME-488/U ME-496/U ME-497/U	Ammeter Multimeter, Digital Wattmeter	6625-00-816-9324 6625-010-5090 662501-064-3555	A38743 W38609	SF PS PS	TM 11-6625-2788 Series TM 11-6625-3018 Series	HP 428B AN/ARN-83(V)4 Bird 6104	Data Precsloon 245
ME-505/U ME-512/U *ME-518/U MK-288/URM MK-570/ASN	Meter, Modulation Voltmeter, Vector Multimeter, Digital Maintenance Kit Maintenance Kit	6625-00-480-8706 6625-00-929-1897 6625-01-031-0708 6625-00-557-5716 6625-00-857-1382	M61675 V13292 L98359 L99866	APA APA PS SF APA		AN/ARC-115(D) AN/ARC-83 AN/TSQ-97 General Purpose AN/ASN-33	HP 8405 TRAD 157-D-1 Rockwell 506A-0135-101
MK-652/APS-94 MK-662/UP MK-679/G	Test Facatles Kit Maintenance Kit Maintenance Kit	5995-00-820-2182 5841-00-064-5364 5410-00-973-2936	M00415 M00552 M02196	APA APA SF	TM 11-5995-201 Series TM 11-5841-240 Series SB 11-562	AN/APS-94C RO-166(D) AN/TSW-7A	Motorola 201-40537 Motorola 201-29095
MK-681/G MK-693/A MK-719/AKT-16 MK-722/URC MK-731/ARC-51X	Electronic Equipment Repair Kit, Shelter Maintenance Kit Alignment Kit, Objective Lens Maintenance Kit, Elec Equip Maintenance Kit, Elec	5410-00-771-3354 5821-00-045-9695 5841-00-952-3244 6625-00-0824275 6625-00-082-4057	R74887 M01100 A34805 M01374 M01511	SF APA APA APA APA	SB 11-562 SC 5821-91-CL-E04 TM 11-6625-616 Series TM 11-6625-623 Series TM 11-6625-564 Series	AN/TSW-7A General Purpose AN/AKT-18(D) AN/ARC-102, CU-991 AN/ARC-51	Motorola 01-27866A01 Collins 522-3401-005 Collins
MK-731A/ARC-51X MK-733/ARC-54 MK-722/U	Equip Maintenance Kit Maintenance Kit Elec Equip Repair Kit, Printed Ckt	6625-00-803-1300 5821-00-901-4327 5999-00-757-7042	M01511 M01648 R74787	APA APA SF	TM 11-6625-564 Series TM 11-6625-601 Series	AN/ARC-51 AN/ARC-54 General Purpose	522-3525-00 Collins 777-1051-001 Collins 522-6247-005 Frank & Warren 84583-5194

## TOOLS AND TEST EQUIPMENT MANAGEMENT DATA (CONTINUED)

TYPE NUMBER	NOMENCLATURE	NSN	LIN	FUND	PUBLICATIONS	EQUIPMENT SUPPORTED	COMMERCIAL EQUIVALENT
MK-774/APN-158 MK-8 MK-856/AKT-18 MK-856A/AKT-18A MK-864/APN-168 MK-865/AYA-3 MK-866/ASN-64	Maintenance Kit Hoist Unit, Bomb Test Facility Kit Test Facility Kit Test Facilities Kit Test Facilities Kit Maint Kit, Elec Equip	6625-00-868-8232 1730-00-329-4234 5841-00-788-5228 6625-00-946-5390 6625-00-945-7983 6625-00-999-9405	M01922 V61396 V61411 V61412 M01939	APA APA APA APA APA	TM 11-5841-259 Series TM 11-5841-255 Series TM 11-5841-255 Series TM 11-5841-265 Series TM 11-5841-266 Series TM 11-5841-264 Series	AN/APN-158 AN/AKT-18 AN/AKT-18A AN/ASN-64 AN/ASN-64 AN/ASN-64	Collins 979A-2 Motorola 201 44407 Marconi CMA-565T Marconi CMA-566T Marconi CMA-567T
MK-913/G MK-953/UAS-4A MK-989/UAS-4A *MK-994/AR MK-1004/ARC MK-1004A/ARC MK-1016/AAS-14A	Analyzer Kit, Imagery Maint Kit Elec Equip Maint Kit, Elect Equip Test Facility Kit Maintenance Kit, Elec Equip Maint Kit, Elec Equip Service Kit, Refrigerant	5895-00-943-6859 5850-00-949-2133 5850-00-949-9497 6625-00-802-7191 5821-00-926-7292 5821-00-100-4300 4940-00-937-3448	M01956 M01982 V61444 M02013 M02013 S78945	PS APA APA APA APA PS	TM 11-6625-641 Series TM 11-6625-928 Series TM 11-6625-1635 Series TM 11-6625-2609 Series TM 11-6625-1604 Series	AN/AAS-14 AN/AAS-14, AN/TAQ-1 AN/AAS-14 General Purpose AN/ARC-134 AN/ARC-134 AN/AAS-14	Singer 87817 Singer 80975 Wilcox 287517-0100 Wilcox 287517-0200
MK-1035/ARC-131 MK-1040/ASN MK-1148/TAQ-2 MK-1172/AAS-24 MK-1191/AR *MK-1192/AR	Maint Kit, Elec Equip Adapter Kit, Mag Comp Callb Set Test Facility Kit Maintenance Kit Test Facilities Kit Maintenance Kit	5821-00-935-0058 6605-00-816-0329 6625-00-113-9764 1340-00-434-5539 6625-00-179-2528 6625-00-179-1699	M02036 AI 1502 V61445 M02401 V61446 L95939	APA APA APA APA APA APA	TM 11-6625-1610 Series TM 11-4920-292 Series TM 11-5840-294 Series TM 11-6625-1732 Series TM 11-6625-2414 Series TM 11-6625-2405 Series	AN/ARC-131 AN/ASN-43 AN/TKQ-2 AN/AAS-24 AN/ARC-114, ...AN/ARC-115, ...N/ARC-116, AN/ARN-89 AN/ARC-114,	Magnavox 709300-801 Motorola 01-29399L01 TI 692491-1
MK-1209/APS-94D *MK-1899/G MK-01949/APS-94F MK-2061/APN-215	Accessory Kit, Radar Test Set Group Maintenance Kit Test Set Kit, Radar Maintenance Kit	6625-01-094-5487 5895-01-071-6266 6625-01-069-4224 5841-01-108-4158	Z41329	PS APA	TM 11-6625-3033 Series	AN/ARC-115, AN/ARC-116 AN/ARW-83 AN/APN-215	ESL 1-139749-1



TOOLS AND TEST EQUIPMENT MANAGEMENT DATA (CONTINUED)

TYPE NUMBER	NOMENCLATURE	NSN	LIN	FUND	PUBLICATIONS	EQUIPMENT SUPPORTED	COMMERCIAL EQUIVALENT
MOATA-T6429	Low Speed Motor Runout Tool						
MOATA-T6409	High Speed Modulator Holding Fixture						
MOATA-T6405	High Speed Modulator Holding Fixture						
MODEL 101	Pulse Generator, Data Pulse	6625-00-454-0708					
MP-2VU	Eraser, Magnetic Tape	5835-00-543-1910	H13752	SF		AN/ASH-24	
MS27534-20	Installation and Removal Tool	5120-00-018-0535					
MS27534-22D	Installation and Removal Tool	5120-00-018-0575					
MT-4145/ASN-86	Test, Stand, Gyro Stab Platform	6605-00-522-3740	V99935	APA	TM 11-6625-2443 Series	AN/ASN-86	Litton 244030
MX-13A/U	Vacuum Cleaner	7910-00-910-2606		SF		LA-30 (), 39(), LS-38	
MX-991/U	Flash Light	6230-00-264-8261		SF		KS-104, LS-38	
MX-10056/APS-94F	Extender Card, Electronic Test	5999-01-070-5792					
*MX-1292/PAQ	Light Assembly	6695-00-378-5449	L60295	APA	TM 11-5540	AN/ARN-12	
MX-2517/U	Test Prod	6625-00-511-5383	P67179	SF		General Purpose	HP 11044A
MX-2569/U	Detector Mount	6625-00-752-5311	M74207	PS		AN/APS-94C	HP 440A
MX-3341/0	Adapter Connector	5985-00-713-4356	Z00303	SF		AN/ARC-102	HP 1042A
MX-3667/U	Waveguide Probe	6625-00-656-2454	P63898	SF		AN/APS-94C	HP 487P
MX-3671/U	Fixture	6625-00-583-1526		SF		AN/APS-94C	HP 420A
MX-3719/ASW-12	Fixture	6625-00-987-8530	H63912	APA	TM 11-6625-516 Series	AN/ASW-12	Sperry 2586451
MX-3722/ASW-12	Machine, Vib Gyro	4920-00-973-4184	H63090	APA	TM 11-6625-519 Series	AN/ASW-12	Sperry 2592039
MX-3723/ASW-12	Fixture, Test, Gyro	6625-00-987-8532	H63775	APA	TM 11-6625-519 Series	AN/ASW-12	Sperry 2592055
MX-4042/ASW-12	Table, Tilt, Gyro	4940-00-889-1880	V02931	APA	TM 11-4920-209 Series	AN/ASN-43/76, AN/ASW-12	Sperry 2585909
MX-4042A/ASW-12	Table, Tilt, Gyro	4920-00-937-2554	V02931	APA	TM 11-4920-209 Series	AN/ASN-43/76, AN/ASW-12	Sperry 2585909
MX-4043/ASW-12	Fixture, Test, Accelerometer	6625-00-987-8595	H63638	APA	TM 11-6625-519 Series	AN/ASW-12	Sperry 2592044
MX-4618/U	Decode Capacitor	6625-00-953-7537	D04729	SF		J-2	GR 1419M
MX-4708/ASW-12	Table, Tilt, Gyro Testing	4920-00-889-1881		APA		AN/ASW-12	Sperry 2586334

TOOLS AND TEST EQUIPMENT MANAGEMENT DATA (CONTINUED)

TYPE NUMBER	NOMENCLATURE	NSN	LIN	FUND	PUBLICATIONS	EQUIPMENT SUPPORTED	COMMERCIAL EQUIVALENT
MX-7268/AAS-14A MX-7270/UAS-4 *MX-7729/ARC-111 MX-8408/AAS-24 MX-8409/AAS-24 *MX-8474/ASN-86	Cable Assy Set Cable Assy Set Test Set, Bench Cable Assy Set Fixture, Alignment Purge & Fill Unit, Gryo Stab Pltfm.	5995-00-930-0002 6625-00-949-8185 6625-00-921-3671 6625-00-489-0468 6625-00-489-2673 6605-00-522-3739	C61252 C71256  C61218 A34457 P98420	APA PS SF APA APA APA	TM 11-5850-218 Series   TM 11-6625-1732 Series TM 11-6625-1732 Series TM 11-6625-2444 Series	AN/ART-41A AN/ARC-111 AN/ARC-111 AN/AAS-24 AN/AAS-24 AN/ASN-86	Collins 476V-3 Collins 476V-3  TI 694739-1 Litton 310086
MX-8570A/APS-94D MX-8638A/APS-94D MX-863gA/APS-94D MX-8679/APS-94D MX-8690/APS-94D	Monitor, Electrical Power Test Set Subassembly Test Set Subassembly Interface Test, Subassembly Interface Test, Subassembly	6625-01-101-1268 6625-01-058-7986 6625-01-061-9005 6625-00-928-0280 6625-00-938-0022					
MX-8801/PRC-90 MX-8927A/U MX-9848/APR-39(V) OA-8991/MSM OP-126/G OQ-59/APS-94D OQ-59A/APS-94D	Test Adapter Discharge Fixture Test Adapter, Radar Sig Repair Facility Power Supply Group Test Set Group, Radar Test Set Group, Radar	6625-00-480-6315 6110-00-014-6225 5841-01-025-0379 6625-01-0704404 5895-01-061-2646 6625-00-194-2842 6625-01-095-6207	V59584  T59834 R09696  V78854	APA SF APA APA PS APA APA	  TM 11-6940-211 Series TM 11-5410-217 Series TM 11-6625-2894 Series TM 11-5995-207 Series TM 11-5995-207 Series	AN/PRC-90 BB-433 AN/APR-39(/)1  AN/ARW-83 AN/APS-94D/E AN/APS-94F	ESL 10-131029-1
OQ-61/APS-94D  OQ-61A/APS-94D OQ-62/APS-94D OQ-63/APS-94D OQ-63A/APS-94D	Test Set Group, Radar  Test Set Group, Proc Test Set Group, Optical Alignment Test Set Group, Indicator Test Set Group, Indicator	6625-00-938-0233  6625-01-070-4407 6625-00-762-4889 6625-00-193-8428 6625-01-058-7874	V78785  V78779 V78610	APA  PS APA APA APA	TM 11-6625-1832 Series  TM 11-6625-1838 Series Tm 11-6625-1833 Series TM 11-6625-1833 Series	AN/APS-94D/E  AN/APS-94F AN/APS-94D AN/APS-94D/E AN/APS-94F, AN/TKQ-2B	Motorola, 01P0212B001  Motorola, 01P02016B001 Motorola, 01P02013B001
OQ-64(V)i/APS-94D OQ-64(V)2/APS-94D	Test Set Group, Radar Test Set Group, Radar	6625-00-191-7421 6625-00-194-2849	V78858 V78860	APA APA	TM 11-6625-1830 Series TM 11-6625-1830 Series	AN/APS-94D/E AN/APS-94D/E	Motorola, 01P02010B001 Motorola 91P02011B001
<b>B-18</b>							

## TOOLS AND TEST EQUIPMENT MANAGEMENT DATA (CONTINUED)

TYPE NUMBER	NOMENCLATURE	NSN	LIN	FUND	PUBLICATIONS	EQUIPMENT SUPPORTED	COMMERCIAL EQUIVALENT
OQ-65/APS-94D	Test Set Group, Recorder -Processor	6625-00-938-0278	V78895	APA	TM 11-6625-1835 Series	AN/APS-94D	Motorola, 01 P02014B001
OQ-270/APS-94F	Test Set Group	6625-01-069-7058	T78916	APA	TM 11-6625-2974 Series	AN/APS-94F	
OQ-273/ARC-164(V)	Test Set Group, Radio	5821-01-072-8146	Z83460	PS	TM 11-6625-2950 Series	AN/ ARC-164(V)12	
OQ-290(V)1/MSM	Test Facility	6625-01-095-9312	Z25238	APA	TM 11-5410-216 Series		
OS-8/U	Oscilloscope	6625-00-643-1740	N31327	SF	TM 11-6625-252 Series	AN/APN-22, J-2	Hickok CS-835
OS-261/U	Oscilloscope	6625-00-127-0079					
OS-261B(V)/U	Oscilloscope	6625-01-101-1318		APA	TM 11-6625-2735 Series	TEK 455/OPT 04	
*OS-261C(V)1/U	Oscilloscope	6625-01-119-7314	Z47514	APA			
PD-76/ASN-23	Synchro Transformer	5990-00-504-6032	U83940	SF		MA-1	Bendix AY201S-18
PD-2005A	Power Supply, Precision						
PL-1178/U	Plug-In Unit	6625-00-104-2648		SF	AN/APS-94E	AN/APS-94E	HP 3304A
PL-1285/U	Plug-In Unit	6625-00-479-4699	P11125	PS	TM 11-6625-2492 Series	HP 3305A	
*PL-1306/U	Plug-In Unit	6625-00-905-1296	P11179	PS	TM 11-6625-3030 Series	AN/ASN-86	HP 8803A
PL-1373/U	Plug-In Unit	6625-01-007-9481		SF		AN/ARW-83	TEK 552
*PL-1378/U	Plug-In Unit	6625-00-893-8745		PS		AN/ASN-86	HP 1803A
PL-1388/U	Plug-In Unit	6625-00-431-9339	P11208	APA	TM 11-6625-2829 Series	AN/ARW-83	HP 8552B
PL-1392/U	Spectrum Analyzer	6625-00-558-2324	P16915	SF	TM 11-6625-2762 Series	TEK 7L12	
PL-1399/U	Plug-In Unit	6625-00-432-5055	P11146	APA		AN/ARW-83(V)4	HP 8553B
PL-1400/U	Plug-In Unit	6625-00-4224314	P11147	APA	TM 11-6625-2781	AN/USQ-61A	HP 8555A
PL-1406/U	Plug-In Unit	6625-00-140-0156	P11720	APA		AN/ARW-83(V)4	HP 8554B
PP-962/U	Power Supply	6625-00-756-1500	L28684	APA	TM 11-6625455 Series	AN/APS-94C	PRD 801A
PP-1104C/G	Power Supply Series	6130-00-542-6385	P37218	SF	TM 11-6130-218-246	General Purpose	Pwr Supply Inc, 12A28CD50D
PP1243/U	Power Supply	6625-00-542-6217	P37492	APA	TM 11-6625-348 Series	AN/ARN-30	
PP-1451/G	Power Supply	6130-00-985-8157	D98888	APA	TM 11-6130-236 Series	Nicad Batteries	
PP-1659/G	Battery Charger	6130-00-985-8185	D99025	APA	TM 11-6130-238 Series	Nicad Batteries	Victory Electronic 198-100
PP-2309C/U	Power Supply	6130-00-752-2215	P38314	APA	TM 11-6130-245 Series	OK-279	
PP-2953/U	Power Supply	6130-00-985-7899	P38588	APA	TM 11-6130-233 Series	TSEC/KY-28	
PP-3514/U	Power Supply	6130-00-445-6933	P39958	PS	TM 11-6625-617 Series	AN/ADR-6	
PP-3940A/G	Power Supply	6130-00-953-7500	P40374	APA	TM 11-6130-247 Series	General Purpose	
PP-3941/G	Power Supply	6130-00-985-8143	P40506	APA	TM 11-6130-242 Series	AN/APS-94D, KS-104, KS-113	
PP-4606/G	Power Supply	6130-00-504-0327	P33724	PS	TM 11-6130-243 Series	General Purpose	

TOOLS AND TEST EQUIPMENT MANAGEMENT DATA (CONTINUED)

TYPE NUMBER	NOMENCLATURE	NSN	LIN	FUND	PUBLICATIONS	EQUIPMENT SUPPORTED	COMMERCIAL EQUIVALENT
PP4728/FYA-10(/) PP-4838/U *PP-6224/U PRD-559A PU-545/A	Power Supply Power Design (Model 36508) Power Supply Power Supply Frequency Meter Motor-Generator	7050-00-926-7842 6625-00-931-6793 6130-00-133-5879 6625-00-620-7481 6125-00-958-6915	P40750	SF APA	TM 11-6130-268 Series TM 11-6130-266 Series	KIT-iA/TSEC, TSEC/KY-28 AN/ADR-6	
RO-189/G RO-1122/GR RO-458(V)1/U RT-1167C/ RT-859/APX-72	Oscillograph Radio Receiver Recorder, Signal Data Radio-Transmitter Receiver-Transmitter, Radio	5820-00-858-5925 6625-00-463-6042 5821-01-1474630 5895089-7179	N28224	PS	TM 11-6625-801 Series TM 11-5820-526 Series	KA-76A AN/ARC-102	Brush RD2642-00
SG-1A/ARN SG-13/ARN SG-71/FCC SG-92/U SG-299/U SG-299B/U	Generator, Signal Generator, Signal Generator, Signal Generator, Sweep Generator, Signal Generator, Signal	6625-00-649-4636 6625-00-539-8575 6625-00-669-0255 662500-546-6662 6625-00-624-3516 6625-00-808-5584	J54440 J54741 J55289 J58303 J55837 J55837	SF APA APA APA SF SF	TM 11-6625-279 Series TM 11-6625-358 Series TM 11-6625-605 Series TM 11-625-258 Series TM 11-6625-258 Series	AN/ARN-123 General Purpose AN/ASH-23 AN/TAQ-1 AN/APS-94C AN/TKQ-2	HP 233A Kay 110-A Hickok 902-296 Hickok 902-333
SG-321/U SG-321B/U SG-304A/G SG-366/U SG-366A/U	Generator, Signal Generator, Signal Generator, Signal Generator, Pulse Generator, Pulse	6625-00-674-7097 6625-00-9356924 6625-00-542-1292 6625-00-682-9496 6625-00-168-0471	J55944 J55944 J55992 J34465 J34465	APA APA SF SF SF	TM 11-6625-822 Series TM 11-6625-822 Series TM 11-6625-1575 Series TM 11-6625-435 Series TM 11-6625-435 Series	General Purpose General Purpose AN/ALR-46 AN/APS-94C, AN/TPN-18 AN/APS-94C, AN/TPN-18	Tensor 5533 HP 612A Kay 570A Kay 5070B
SG-475/APS-94 SG-621/U SG-677A SG-747/U SG-769/U SG-944/U SG-1094/U SG-1105/U SG-1112(V)1/U	Oscillator, Pulse Delay Generator, Signal Generator, Sweep Generator, Signal Generator, Signal Generator, Signal Plug-In Unit Generator, Pulse Signal Generator	5840-00-788-6808 6625-00-606-9729 6625-01-0744337 6625-00-118-6736 6625-00-057-7684 6625-00-107-8173 6625-00-420-3862 6625-01-010-3524 6625-00-566-3067	N26080 J58948 J56362 J56371 Z50542 S48051	APA SF APA APA PS APA SF SF APA	TM 11-6625-615 Series TM 11-6625-589 Series TM 11-625-2955 Series TM 11-6625-2495 Series TM 9-6625-2468 Series TM 11-6625-2520 Series TM 11-6625-2738 Series TM 11-6625-2835 Series TM 11-6625-2780 Series	AN/TPN-18 AN/APS-94C (D) AN/ASN-86, C-12 AN/APS-94E AN/AAS-24 AN/ALR-46, AN/APR-39 AN/ARW-83 AN/APR-39(V)1 AN/ ARC-164(V)12, AN/ARW-83	Orbltron 100720 HP 202C HP 3300A Wavetek 111 HP 620B TEK S6 HP 8013B HP 8640B-004

## TOOLS AND TEST EQUIPMENT MANAGEMENT DATA (CONTINUED)

TYPE NUMBER	NOMENCLATURE	NSN	LIN	FUND	PUBLICATIONS	EQUIPMENT SUPPORTED	COMMERCIAL EQUIVALENT
SG-1121(V)1/U SG-1125/U SG-1133/U SG-1144( )/U SG-1170/U	Sweep Oscillator Generator, Tracking Generator, Function Generator, Signal Generator, Signal	6625-01-019-7890 6625-00-1854802 6625-01-028-4989 6625-01-075-8478 6625-01-120-3501	G14409  G56451 Z73659	SF  APA APA	TM 11-6625-2866 Series  TM 11-6625-2954 Series TM 11-6625-3029 Series	AN/ARW-83(V)4  Wavetek Mod 3001	HP 8444A
SG-1171/U SG-1174/U SG-1205/U SM-B-403944 SM-B-404094	Generator, Function Generator, Signal Generator, Pulse Test Fixture Test Fixture	6625-01-133-6160 6625-01-075-8479 6625-01-135-7210	Z73543  773593	SF PS SF	TM 11-6625-2952 Series		
SM-B-618204 SM-B-692592 SM-B-882575 SM-B-618315 SM-B-692594 SM-B-693170	Front Section Front Section Front Section Back Section Back Section Back Section						
SM-B-597910 SM-B-92766 *SM-253/ASM-57 SM-254/ASM-57 SM-335/ASM  SM454/TAQ-IA	Filter & Relay Assembly Filter & Relay Assembly Simulator, Gyro Signal Simulator, Nav Ctrl Simulator, Amplifier Output Simulator, RF Signal	5821-00-782-8982 5821-00-134-5975 6625-00-860-9290 6930-00-863-3399 4920-00-133-7835  6625-00-930-7004	T56813 T56128 T54141	APA APA APA	TM 11-6625-480 Series TM 11-6625481 Series TM 11-6625644 Series	AN/ASN-33 AN/ASN-33 CH-47 SAS	Collins 477K1 Collins 477L1
SM-486/ASN  SM-567/APS-94D SM-568/APM-327  SM-674/UPM	Simulator, Gyro & Compass Signal Simulator-Monitor Simulator, Radar Low  Test Set, Fit Line Simulator	4920-00-851-8753  6625-00-762-4887 6625-00-115-6460  6940-01-031-5887	T56103  Z73742 S87034	APA  APA APA	TM 11-6615-251 Series  TM 11-6625-2633 Series TM 11-6940-211 Series	AN/ASN-64, 76  AN/ALR-46 AN/APR-39(V)1	GE A2138  Appl Tech 31-020317-01
SM-683/APM-327  SM-684/APM-327  SM-699/ALM-153 SM-756/APR-44 SM-763/ARM-185 T-1000	Simulator, Radar Med  Simulator, Radar High  Navigation Simulator Simulator, Radar, Signal Simulator, Antenna Signal RF Power Divider	4920-00-188-3161  4920-00-158-2340  6930-01-032-4286 6940-01-058-1066 5895-01-063-6594	Z73745  Z73746  S58022	SF  PS  APA PS	  TM 11-6940-214 Series TM 11-6625-2891 Series	AN/ALR-46  AN/ALR46  AN/APR-44 AN/ARW-83	Appl Tech 31-035082-01 Appl Tech 31-035083-01  ESL 10-131021-1

TOOLS AND TEST EQUIPMENT MANAGEMENT DATA (CONTINUED)

TYPE NUMBER	NOMENCLATURE	NSN	LIN	FUND	PUBLICATIONS	EQUIPMENT SUPPORTED	COMMERCIAL EQUIVALENT
T-1301 T-1301-00 T-1302 T-1304	Test Stand Test Stand Test Stand Test Stand						
T-1305A/B T-1306 T-8438 TD-1160(P)/U TD-1225A(V)1/U	Test Stand Test Stand Wrench Torque Plug-In Unit Counter, Microwave Freq	5120-00-169-5776 6625-00-004-1644 6625-01-103-2958	P11212 M65673	P APA	TM 11825-2734 Series TM 11-6625-3014 Series	AN/ARW-83 HP 5342A-H14	TEK 7S12
TEK-308 Tektronix 7B80 Tektronix 7A18 Tektronix 7704A Tektronix P6053 TF-171/USM	Logic Analyzer Plug-In Dual Channel Plug-In Oscilloscope PROBE Transformer	6625-00-032-4343 6625-00-253-5009 6625-00-115-2402 6625-00-006-8667 6120-00-503-0632	X09703	SF	TM 11-5950-203 Series	AN/GRN-6, AN/TAQ-1	GR 20M
TF-2300	AM-FM Modulator Meter Marconi	6625-01-045-2788					
TG-188/ASN-76 TK-77/GF  TK-87/U  TK-87/U  TK-90	Fixture, Platform Pos Tool Kit, Photographic Repairman Tool Kit, Radar & Radio Repairman Tool Kit, Supplementary Radar & Radio Repairman Tool Kit, Battery Service	4920-00-851-8751 5180-00-752-9068    5180-00-542-5812	H63507 W47663   W33278	APA SF   SF	    SC 5180-91-CL-R03	AN/ASN-76 General Purpose   Nl cad Batteries	GE A2013 Century Tool, TK-77/GF
TK-100/G TK-101/G TK-105/1G TK-109/GF  TK-115/G TK-144/G	Tool Kit, Electronic Equip Tool Kit, Electronic Equip Tool Kit, Electronic Equip Tool Kit, Photographic Repair Tool Kit, Radio Repair Tool Kit, Elec Equip	5180-00-805-0079 5180-00-064-5178 5180-00-6810-8177 5180-00-85-9653  5180-00-973-4389	W37251 W37483 W37388 W47528  W37765	SF SF SF SF  SF	SC 5180-91-CL-S21 SC 5180-91-CL-R13 SC 5180-91-CL-R07 SC 5180-91-CL-R18  SC 5180-91-CL-RB0	General Purpose General Purpose General Purpose General Purpose  AN/ASM-14d,	
TK-191/UAS-4A  TL-559/U	Shelter Tool Kit, Elec Equip  Gauge	5180-00-930-1216  8835-00-292-8774	W37891	SF  SF	   AN/ARC-44	AN/AAS-14, AN/ART-41A, AN/TAQ-I AN/ARC-44	

## TOOLS AND TEST EQUIPMENT MANAGEMENT DATA (CONTINUED)

TYPE NUMBER	NOMENCLATURE	NSN	LIN	FUND	PUBLICATIONS	EQUIPMENT SUPPORTED	COMMERCIAL EQUIVALENT
TL-633/U TL-675/ASN	Linkage Tool Synchro Tool	5120-00-521-0569 5120-00-767-9114	M21464 W05952	SF SF		AN/ARN-59 AN/ASN-33, MA-1	
TS-27B/TSM TS-147BD/UP TS-147F/UP	Test Set, Telephone Test Set, Radar Test Set, Radar	6625-00-188-3232 6625-00-256-1377 6625-00-967-9913	V94877 V85150 V85150	SF SF SF	TM 11-6625-240 Series TM 11-1247 TM 11-1247	AN/FSW-8 General Purpose General Purpose	Mutron ETS-27B Sperry 674766 Decicom 193
TS-186E/UP TS-268E/U TS-2970/APS-94D TS-2971/APS-94D TS-2972/APS-94D	Meter, Frequency Test Set, Crystal Rectifier Interface Test, Synchronizer, Radar Interface Test, Power Supply Interface Test, Electronic Circuit Plug-In Unit	6625-00-556-1916 6625-00-069-1363 6625-00-938-0088 6625-00-938-0118 6625-00-936-9984	J01826 V72751	SF SF	TM 11-6625-307 Series TM 11-6625-305 Series	AN/TPN-18 General Purpose	Ackeley 317-0 Voron TS-268
TS-2974/APS-94D TS-352B/U TS-3739/ALQ-133 TS-3793/U TS-382/U TS-402/U	Test Set, Radar Multimeter Test Set, Monitor Controller Power Meter Audio Oscillator Attenuator	6625-00-194-2850 6625-00-553-0142 6625-01-057-2624 6625-01-033-5050 6625-192-5094 6625-00-230-5149	M81372 V93575	SF SF	TM 11-6625-366 Series TM 11-5905-200 Series	General Purpose AN/FSW-8	
TS-421A/U TS-421C/U TS-452D/U TS-452E/U TS-488A/UP	Generator, Signal Generator, Signal Generator, Signal Generator, Signal Test Set, Radar	6625-00-669-0228 6625-00-435-2588 6625-00-828-6410 6625-00-115-6941 6625-00-519-7594	J57344 J57344 J57481 J57481 V85424	APA APA APA APA SF	TM 11-6625-355 Series TM 11-6625-355 Series TM 11-6625-575 Series TM 11-6625-575 Series TM 11-6625-220 Series	AN/ARC-155,116 AN/ARC-155,116 AN/APS-94C, AN/APX-44 AN/APS-94C, AN/APX-44 AN/APN-158,	HP H02-205AG Data Royal F370A Aeromotive 7200
TS-585 (/)U TS-617/U *TS-617C/U TS-723D/U TS-805/U TS-805D/U S-965/U	Meter, Output Q-Meter Q-Meter Analyzer, Spectrum Stroboscope Stroboscope Test Set, Armature	6625-00-244-0501 6625-00-538-9702 6625-00-966-2055 6625-00-668-9418 6625-00-223-5150 6625-00-196-2858 6625-00-828-5810	M81783 Q02968 Q02968 A58033 U54346 U54346 V63915	PS SF SF APA SF SF APA	TM 11-6625-291 Series TM 11-2635 TM 11-2635 TM 11-6625-255 Series TM 11-6625-396 Series TM 11-6625-396 Series TB 11-6625434-12/1	AN/TPN-18 General Purpose AN/ARN-83, CU-1658 AN/ARN-83, CU-1658 General Purpose General Purpose General Purpose	Doven 11000-2 HP 160A HP 736-A GR 631-B Elec Brazing 510-B Crown S-1-M

## TOOLS AND TEST EQUIPMENT MANAGEMENT DATA (CONTINUED)

TYPE NUMBER	NOMENCLATURE	NSN	LIN	FUND	PUBLICATIONS	EQUIPMENT SUPPORTED	COMMERCIAL EQUIVALENT
TS-1314/APX44 TS-1588/AIC	Test Set, Radar Test Set, Radio	4920-00-226-5567 6625-00-895-6646	Z83864 V67203	APA APA	TM 11-6625-448 Series TM 11-6625441 Series	AN/APX44 C-1611	Wilcox 33030-62 Grumman, 134SEAV1 002-1
TS-1588A/AIC TS-1643/ASW-12 TS-1644/ASW-12	Test Set, Radio Test Set, Attitude Control Test Set, Displace Gyro	6625-00-239-6016 6625-00-987-8596 6625-00-987-8597	V67203 V63230 V73916	APA APA APA	TM 11-6625441 Series TM 11-6625-519 Series TM 11-6625-519 Series	C-1611 AN/ASW-12 AN/ASW-12	Aero Equip 7200 Sperry 2592043 Sperry 2592052
TS-1652/ASW-12 TS-1656/ASW-12 TS-1658/ASW-12 TS-1659/ASW-12	Test Set, Coupler Tester, Attitude Control Test Set, Auto Controller Test Set, Attitude Ref Control	6625-00-987-8599 6625-00-973-4186 6625-00-987-8601 6625-00-987-8602	V71998 V66381 V68847 V66655	APA APA APA APA	TM 11-6625-519 Series TM 11-6625-519 Series TM 11-6625-519 Series TM 11-6625-519 Series	AN/ASW-12 AN/ASW-12 AN/ASW-12 AN/ASW-12	Sperry 2592042 Sperry 2592045 Sperry 2592049 Sperry 2592046
TS-1660/ASW-12 TS-1661/ASW-12 TS-1663/ASW-12 TS-1836/U TS-1836B/U	Test Set, Gyro Control Test Set, Coupler Test Set, Rotary Actuator Test Set Transistor Test Set, Semiconductor	6625-00-987-8634 6625-00-987-8635 6625-00-973-4185 6625-00-168-0954	V79533 V72135 V91315 V91863	APA APA APA APA	TM 11-6625-519 Series TM 11-6625-519 Series TM 11-6625-516 Series TM 11-6625-539 Series	AN/ASW-12 AN/ASW-12 AN/ASW-12 General Purpose	Sperry 2592054 Sperry 2592041 Sperry 2592040 Elec Tech Corp 245MF
TS-1836D/U TS-1893/ASM *TS-1894A/ASM	Test Set, Semiconductor Test Set, Stabilization Sys Test Set, Stabilization Equip	6625-00-138-7320 4920-00-133-7836 4920-00-133-7834	V91863 V93302 V93301	APA APA APA	TM 11-6625-539 Series TM 11-6625-645 Series TM 11-6625-646 Series	General Purpose CH-47 SAS CH-47 Series	Hickock 902-501 Boeing 114E5986-1 Boeing 114E5987-8
TS-2326/APN-168 TS-2327/APN-168 TS-2330/ASN-4 TS-2436/U TS-2530/UR TS-2530A/UR	Test Set, Antenna Test Set, Rec-Trans Test Set, Analog Modules Test Set, Amplifier Test Set, Battery Test Set, Battery	6625-00-927-3514 6625-00-927-3508 6625-00-927-3513 6625-00-892-5286 6625-00-933-6112 6625-00-238-0223	V63572 V90390 V63435 V63330 V69816 V59816	APA APA APA APA APA APA	TM 11-6625-684 Series TM 11-6625-685 Series TM 11-6625-688 Series TM 11-6625-2631 Series TM 11-6625-2631 Series	AN/ASN-64 AN/ASN-64 AN/ASN-64 AN/TPN-18 AN/PRC-90 AN/PRC-90	Marconi 409-035 Marconi 409-040 Marconi 409-055 HP 342A ARC ABC-BT-2
TS-2609/U TS-2644/ASN TS-2645/ASN TS-268E/U  TS-2688/URC-68 TS-2854/ASH-23	Test Set, RF Power Test Set Test Set Test Set, Crystal Unit Quartz Test Set, Radio Test Set, Recorder	6625-00-933-8786 6625-00-879-1965 6625-00-879-1960 6625-69-1215 6625-00-782-0389 6625-00-4354779	V61790 V61791 V61791 V89225 R49367	PS APA APA APA APA	TM 116625-1686 Series TM 11-6625-2634 Series TM 11-6625-2634 Series TM 116625-1712 Series TM 11-1625-1818 Series	AN/ARC-131 AN/ASM-43 AN/ASN-43 AN/URC-68 AN/ASH-23, 24	Bird 4110-000 Sperry 2590181-901 Sperry 2590553-901  Magnavox 37695 Northrop 0963900-601 A



TOOLS AND TEST EQUIPMENT MANAGEMENT DATA (CONTINUED)

TYPE NUMBER	NOMENCLATURE	NSN	LIN	FUND	PUBLICATIONS	EQUIPMENT SUPPORTED	COMMERCIAL EQUIVALENT
TS-2967/APS-94D	Test Set Fixture, CRT Alignment	6625-00-938-0234	V77409	APA	TM 11-6625-1839 Series	AN/APS-94D	Nortronics, 09636900-601A Motorola, 01P02024B001  Hoffman, 8000000073-1
TS-2973/APS-94D	Test Set, Radar Proc	6625-00-938-0232	Z35149	APA	TM 11-6625-1832 Series	AN/APS-94D/E	
TS-2973A/ APS-94D	Test Set, Radar Proc	6625-01-085-4343		APA	TM 11-6625-1831 Series	AN/APS-94F	
TS-3134/ARN-103	Test Set, Nav Set	6625-00-476-5554	V81915	APA	TM 11 -6625-2595 Series	AN/ARN-103	
TS-3379/ARQ-31 TS-3380/ARQ-31 TS-3447/ALM-153 TS-3609/ALQ-156	AN/ARQ-31 AN/ARQ-31 Comparator Test Set Test Set, Countermeasures	6625-01-026-9914 6625-01-142-3433	Z82970	PS		AN/ALQ-156	
TS-3614/ALQ-136	Test Set, Countermeasures	5865-01-121-8983	T72099	APA	TM 11 -6625-2885 Series	AN/ALQ-136	
TS-3615/ALQ-136	Test Set, Countermeasures	5865-01-121-8984	T72167	APA	TM 11-625-2884 Series	AN/ALQ-136	
TS-3720/AVR-2 TS-3723/AVR-2 TS-3790/U TS-3895/AVS-6 *TS-3920/ASM	Test Set, Flight Line Test Set, Bench RF Power Meter Test Set Test Set, STAB/SAS	5841-01-112-7721 5841-01-110-6667 6625-01-069-4970 5855-01-134-7146 6625-01-087-1730	P41172 T93517	APA APA APA APA PS	TM 11-5841-3026 Series TM 11-5841-3026 Series  TM 11-6625-2942 Series	AN/AVR-2 AN/AVR-2 AN/ARW-83 AN/AVS-6 UH-60AFCS	
TS-3941/APN-209 TS-39470/AR TSEC/ST-21 TSEC/ST-28 TSEC/ST-44	Test Set, Altimeter Test Set, Comm Test Set, Bench Test Set, Remote Control Tester	6625-01-1194811 6625-01-120-7833 5810-00-127-2346 5810-00-900-0260 5810-01-052-3637	V62403 R71504	SF PS APA APA PS	TM 11-6625-3040 Series	AN/APN-209 C-10414 KIT-1A/TSEC TSEC/KY-28 TSEC/KY-58	
TV-2/U TV-7D/U TV-250 (ANZAC) UG-2748/U	Test Set, Electron Tube Test Set, Electron Tube Power Divider Adapter	6625-00-669-0263 6625-00-820-0064 5935-00-683-7892	V75697 V76108 Z00283	APA SF SF	TM 11-6625-316 Series TM 11-6625-274 Series	General Purpose General Purpose General Purpose	Tnplett
UG-528/U UG-564/U UG-1053/U UG-1389/U V-474/ALM-153 ZM-3/U	Adapter, Connector Adapter Waveguide Adapter Adppter Camer, POD Test Set, Capacitor	5985-00-373-1971 5935-00-258-9891 5995-00-083-3519 5985-00-752-5826 5865-01-024-0338 6625-00-229-1060	Z00320 V70217	SF SF  SF SF	TM 11-6625-241 Series	AN/ARN-52 AN/APX-72  AN/TPN-18(D) General Purpose	

TOOLS AND TEST EQUIPMENT MANAGEMENT DATA (CONTINUED)

TYPE NUMBER	NOMENCLATURE	NSN	LIN	FUND	PUBLICATIONS	EQUIPMENT SUPPORTED	COMMERCIAL EQUIVALENT
TTU-23/E ZM-4/U ZM-4B/U ZM-16/U ZM-21A/U ZM-21B/U	Test Set, Synchro Bndge, Resistance Bridge, Resistance Resistor, Decade Ohmmeter Ohmmeter	6625-00-556-8108 6625-00-166-0398 6625-00-500-0937 6625-00-669-0266 6625-00-643-1030 6625-00-172-6521	T70380 C26031 C26031 R86100 N17155 N17155	PS APA APA APA APA	TM 11-6625-2843 Series TM 11-2019 TM 11-6625-249 Series TM 11-6625-313 Series TM 11-6625-298 Series TM 116625-298 Series	General Purpose General Purpose General Purpose General Purpose General Purpose General Purpose	Bendix 13819-2A L&N 5300 Shallcross 5300-S Dubrow 433-1 Winslow 5G1000 Winslow A98400020 Clarostat 240C
AM-58/U A-2052 (GE) *CET-20A (Cannon) CETC6B ESHMEE	Decade Resistor Screwdriver, Confining Extraction Tool Extraction Tool Voltmeter, Electrostatic	6625-00-585-4915 5120-00-937-1087 5120-00-987-0785 5120-00-963-7661 6625-00-422-2113		SF SF SF SF	TM 11-6625-2774 Series	AN/ASN-76 AN/AAS-24 AN/AAS-24 AN/APS-94D	
M10S M15500-20(Deutsch) M 15500-25-2 Deutsch) M15513-20(Deutsch) M15513-22A (Deutsch)	Cmp Tool Crimping Tool Tool, Crimping Insertion Tool Insertion Tool	5120-00-877-6869 5120-00-165-3910 5120-00-421-5820 5120-00-858-1455 5120-00-918-2318		SF SF SF		AN/AAS-24 AN/ALR-46 AN/AYA-10 AN/AYA-10	
M15514-20 (Deutsch) M15515-22P/A (Deutsch) M15570-16 (Deutsch) M-2G3 (General Radio)	Extraction Tool Removal Tool Insertion/Removal Tool Power Supply, Variable	5120-00-522-8601 5120-00-916-2316 5120-00-915-4588 5950-00-877-4863		SF SF SF SF		AN/ALR-46 AN/AYA-10 AN/AYA-10 AN/APS-94D	
MS18137-20-1 MS18137-20-2 MS 18137-20-3 MS18278 MS24256-A16 MS24256-A20 MS24256-R16	Handle, Insertion Insetion Tool Extraction Tool Insertion Tool Insertion Tool Insertion Tool Extraction Tool	5120-00-865-3252 5120-00-869-6986 5120-00-869-6984 5120-00-132-0396 5120-00-0794599 5120-00-0794598 5120-00-079-4602		SF SF SF SF		AN/AAS-24 AN/AAS-24 AN/AAS-24 AN/AAS-24 AN/AAS-24 AN/AAS-24, KA-SOC AN/AAS-24	M1 5513-20 (Deutsch)

TOOLS AND TEST EQUIPMENT MANAGEMENT DATA (CONTINUED)

TYPE NUMBER	NOMENCLATURE	NSN	LIN	FUND	PUBLICATIONS	EQUIPMENT SUPPORTED	COMMERCIAL EQUIVALENT
MS24256-R20	Extraction Tool	5120-00-0794601		SF		AN/AAS-24, KA-60C	
MS3191-1	Tool, Crimping	5120-00-017-4145		SF		AN/AYA-10, KA-60C	
MS3191-4	Crimp Tool	5120-00-921-5769		SF		AN/AAS-24	
MS3198-1	Cnmp Tool	5120-00-042-7080				AN/AAS-24	
MS3198-1P	Positioner	5120-00-165-3913		SF		AN/AAS-24	
ON205104	Board Extractor Tool	5810-01-035-2860		PS			
ON222036	Bench Fixture	5810-01-048-8168		PS			
*ON512424	Fill Cable	5810-01-066-7587		PS			
P6053B(Tektronix)	Probe	6625-01-01014-0391		SF		AN/ARQ-33A	
PRD-559A	Meter Frequency	6625-00-620-7481		SF		AN/APS-94F	
T8438(OmniSpectra)	Torque Wrench	5120-00-169-5776		SF		AN/ALR46, AN/APR-39 (V)1	
TEP-6 (Snap-On)	Torque Wrench	5120-00-585-8434		SF		AN/APS-94D	
TIF-1500-5-5EE (Telonlc)	Bandpass Filter	5895-00-952-9012				AN/ALR-46	
TIF-750-5-5EE (Telonlc)	Bandpass Filter	5915-00-759-0506				AN/ALR-46	
X-2 (Non-Linear)	Voltmeter, Digital	6625-00-068-0611		SF	Comm Pubs	AN/AAS-24	N/A
010-6101-01 (Tektronix)	Voltmeter, Digital Probe	6625-00-463-5241		SF	Comm Pubs	AN/ARW-83	N/A
10100A (Hewlett Packard)	Termination, 50 ohm	6625-00-880-3947		SF		AN/ARM-163	
10110B (Hewlett Packard)	Termination, 100 ohm	6625-00-758-0138		SF		AN/APS-94D/E/F	
10692 (Buchannan)	Tool, Crimping	5120-00-064-5631				AN/APS-94D/E/F	
11 003A (Hewlett Packard)	Cable Assembly					AN/APS-94D/EIF	
1161B (Hewlett Packard)	Synthesized Frequency	6625-01-003-7413					
11692D (Hewlett Packard)	Entension Module						
	Directional Coupler	5985-01-024-3832					

TOOLS AND TEST EQUIPMENT MANAGEMENT DATA (CONTINUED)

TYPE NUMBER	NOMENCLATURE	NSN	LIN	FUND	PUBLICATIONS	EQUIPMENT SUPPORTED	COMMERCIAL EQUIVALENT
141T, IP-1216(P)/GR (Hewlett Packard)	Spectrum Analyzer, Display Section	6625-00-424-4370					
1801A (Hewlett Packard)	Plug-In-Unit	6625-00-135-6978		SF		AN/ASN-86	
1802A (Hewlett Packard)	Plug-In-Unit	6625-00464-7744		SF		AN/AAS-24	
1821A (Hewlett Packard)	Plug-In-Unit	6625-00-229-7041		PS		AN/ASN-86	
197A (Hewlett Packard)	Camera Oscilloscope	6720-00-831-7888		SF		KA-76A	
203A (Hewlett Packard)	Generator, Signal, Vnable Phase	6625-00456-2712					
214A (Hewlett Packard)	Generator, Pulse	6625-00-682-7452		PS		AN/APS-94D	
22 (Tru-Arc)	Tool, Retaining Ring	5120-00-640-6353		SF		AN/APS-94D/E/F	
222A (Hewlett Packard)	Generator, Pulse	6625-00-930-8215		SF	Comm Pubs	AN/AAS-24, AN/APS-94E	
3300A (Hewlett Packard)	Generator, Signal	(See SG-747/U)					
3304A (Hewlett Packard)	Sweep/Offset Plug-In	(See PL-1178/U)					
3440A (Hewlett Packard)	Voltmeter, Digital FYQ-5)	(See ME-231/					
3445A (Hewlett Packard)	Plug-In Unit	6625-00-082-1434		PS		AN/APS-94E	
3476A (Hewlett-Packard)	Digital Multimeter	6625-01-041-0218					
355C (Hewlett Packard)	VHF Step Attenuator	6625-00-866-9462					
355D (Hewlett Packard)	VHF Step Attenuator	5985-00-5255075					

## TOOLS AND TEST EQUIPMENT MANAGEMENT DATA (CONTINUED)

TYPE NUMBER	NOMENCLATURE	NSN	LIN	FUND	PUBLICATIONS	EQUIPMENT SUPPORTED	COMMERCIAL EQUIVALENT
423A (Hewlett Packard)	Crystal Detector	5820-00-877-7148		PS		AN/APS-94E	
454-12 (Starrett)	Vemer Height Gauge	5210-00-256-7518		SF		AN/AAS-24	
*501 (United Systems)	Digital Thermometer	6685-00-128-2318				AN/AAS-24	
5340A (Hewlett Packard)	Frequency Counter	6625-00-498-8946					
5340A-1 TD-1225(V) I/U (Hewlett Packard)	Frequency Counter	6625-00498-8496					
*547A (Hewlett Packard)	Current Tracer Probe	6625-00-076-0806		PS		AN/ARM-163	
549 (Tektronix)	Oscilloscope	<del>662500-864-6438</del>	00143A	PS		TSECIKY-58	
6114A (Hewlett Packard)	Power Supply	6130-01-048-2118				AN/ARM-163	
618C (Hewlett Packard)	Signal Generator	6625-00-883-3256					
620B (Hewlett Packard)	Signal Generator	6625-00-107-8173					
6200A (Hewlett Packard)	Power Supply						
6200B (Hewlett Packard)	Power Supply	6130-00-463-4638		SF		AN/ARW-83, AN/ARM-163	
6205A (Hewlett Packard)	Power Supply						
651C3 (Waters) *7365 (UMC)	Torque Dial Tester Test Set, Pilot-Static	663500-805-3652 4920-00-988-0206	W03735	SF APA		AN/ARC-131 UH-60 AFCS	

## TOOLS AND TEST EQUIPMENT MANAGEMENT DATA (CONTINUED)

TYPE NUMBER	NOMENCLATURE	NSN	LIN	FUND	PUBLICATIONS	EQUIPMENT SUPPORTED	COMMERCIAL EQUIVALENT
779D (Hewlett Packard)	Directional Coupler, 20 DB	5985-00-490-2834					
794FM (Narda)	Attenuator, Variable	5985-00-069-1648		SF		AN/APN-209	
8025 (North Atlantic)	Angle Position Ind	6625-00-422-2112		SF		AN/AAS-24	
8100B (Fluke)	Multimeter, Digital					TSEC/KY-58	
8403A (Hewlett Packard)	Modulator Drive AN/APR-39(V)1	6625-00-089-3146	D41269	SF		AN/ALR-46,	N/A
8405A (Hewlett Packard)	Vector Voltmeter	6625-00-929-1897					
8445B, F-1414/U, (Hewlett Packard)	Automatic Preselector						
8472B (Hewlett Packard)	Detector	5961-01-026-2737					
8481A (Hewlett Packard)	Power Sensor	6625-00-354-9762					
8491B-10 (Hewlett Packard)	Attenuator	5985-00-454-6923	A00732	SF		AN/APR-39	
8491 B-50 (Hewlett Packard)	Attenuator, Fixed	5985-00-138-5225		SF		AN/APN-209	
8552B (Hewlett Packard)	Spectrum Analyzer, PL-1388/U	6625-00-431-9339					
8555A, PL-1400/U, (Hewlett Packard)	Spectrum Analyzer, RF Section	6625-00-422-4314					
8616A (Hewlett Packard)	Signal Generator	6625-00-254-6671					
8660C (Hewlett Packard)	Synthesizer Signal Generator	6625-01-003-7414					
86603A (Hewlett Packard)	Synthesized R F Section	6625-01-050-8799					
86631B (Hewlett Packard)	Synthesized Auxiliary Section	6625-00-001-6893					
86632B (Hewlett Packard)	Synthesized Modulation Section	6625-01-005-6848					

## TOOLS AND TEST EQUIPMENT MANAGEMENT DATA (CONTINUED)

TYPE NUMBER	NOMENCLATURE	NSN	LIN	FUND	PUBLICATIONS	EQUIPMENT SUPPORTED	COMMERCIAL EQUIVALENT
86920A (Hewlett Packard)	Oscillator Plug-In	6625-00-138-9905					
8731A (Hewlett Packard)	Pin DIODE Modulator	6625-00-490-6819					
8731B (Hewlett Packard)	Pin Modulator AN/APR-39(V)1	6625-00-932-1852	Z48827	PS		AN/ALR-46,	
8732B (Hewlett Packard)	Pin Modulator	6625-00-765-5708		SF		AN/ALR-46	
8733B (Hewlett Packard)	Pin Modulator	6625-00-893-7960		APA		AN/ALR-46	
8734B (Hewlett Packard)	Pin Modulator	6625-00-113-6300	Z48830	APA		AN/ALR46, AN/APR-39(V)1	
8755L (Hewlett Packard)	Freq Response Test Set Plug-In Unit	6625-00-6054415		PS		AN/ASN-86	
8802A (Hewlett Packard)	Plug-In Unit	6625-00-463-6041				AN/ASN-86	
8806B (Hewlett Packard)	Plug-In Unit	6625-00-401-2176				AN/ASN-86	
	Adapter, Socket Wrench Relay, Reverse Current Screwdriver, Special Stopwatch, Chronometer *Temperature Meter Thermometer, Glass	5120-00-240-8703 5945-00-824-5575 5120-00-675-0867 6645-00-250-4680 6625-00-079-9115 6685-00-851-4577		SF SF SF SF SF		AN/APS-94D/E/F Batteries AN/AYA-10 General Purpose AN/ALR46 CV-2808/ASH-19	
	Tool, Crimping *Wrench, Strap *Wrench, Torque Wrench Set, Socket Soldering Iron, 25 Watts Screwdriver, Jewelers	5120-00-278-2423 5120-00-072-5361 5120-00-288-8865 5120-00-081-2307 3439-00-853-8760 5120-00-473-6459	Y74965	SF SF SF SF		OK-279 AN/AAS-24 AN/APS-94D/E/F AN/APS-94D/E/F	
	Precision Attenuator Codeco Model D838, or equal 50/10-OHM Load Termination Sylvania P/N 89-470326-1, or equal Screwdriver, Confining	5120-00-937-1087					

TOOLS AND TEST EQUIPMENT MANAGEMENT DATA (CONTINUED)

TYPE NUMBER	NOMENCLATURE	NSN	LIN	FUND	PUBLICATIONS	EQUIPMENT SUPPORTED	COMMERCIAL EQUIVALENT
	Stopwatch Insertion/Removal Tool Cnmp Tool Standing Wave Detector PRD Model 219L Contract Extraction (Shield Contact) 294-541	6645-00-719-8670 5120-00-052-3871 5120-00-064-5631 6625-00-209-6847					
	Contact Insert (Shield Contact) 294-540 Contact Locator, A755 General Purpose Printed Wiring Assembly, ATE Randomizer Test Set Remover, Contact 294-238	6625-00-106-7239 5120-00-928-4419					
	AC Plug in Module AC COVER Resistor RNC55H4221FS Resistor RER70F2400M Caliper, Micrometer, Outside (0-1 inch) Termination 100 OHM.	<del>6625-00-137-8366</del> 6625-00-137-8348 5905-00-401-7436 5905-00-175-8667 6625-00-758-0138					
	H P Mod 10100B (as required) Wire Wrap Gun 14xA2 1/4 inch Torque Wrench 2098-5304 Connector, Adapter OMNI Spectra 21180 Connector, Adapter, OMNI Spectra 21200	5130-00-465-8785 5935-00-135-2084 5935-00-135-2085					
	Wire Wrap Tool 505084 Gauge, Thickness (24-Lead-Feeler)	5120-00-118-2075 5210-00-221-1988					



TOOLS AND TEST EQUIPMENT MANAGEMENT DATA (CONTINUED)

TYPE NUMBER	NOMENCLATURE	NSN	LIN	FUND	PUBLICATIONS	EQUIPMENT SUPPORTED	COMMERCIAL EQUIVALENT
	Torque Wrench, 3/8 inch Square Male Driver, 0-600 Inch Patch Kit, Electronic Equipment, Fiberglass Dummy Brushes (Fab) Pliers, Retaining	5120-00-288-8865					
	Wrench, Torque Beanng Pusher, Base and Top Puller Assembly, Beanng Retainer Arbor Press, Greenerd Model #3 (or equivalent) Power Supply, Sorenson Model CDR40-500A (or equivalent) <del>Circuit Breaker, 18CA</del>	5120-00-288-9717					
	Phase Sequence Indicator (400 HZ); Associated Research Model #44 (or Equivalent) Balancing Machine, Gisholt Type is LATHE (8 1/2" swing x 24" Bed), Wade Model 8A (or Equivalent) Oven	5120-00-7466621					
	Paint Booth Ultrasonic Cleaner Air Gage, Sheffield Modular Precislonalre Column, 9" Dial Indicator (Calibrated to 0 001"), LUFKIN MODEL 2-B25-5 Sprng Scale	5925-00-257-7072					
		6670-00-291-8721					

TOOLS AND TEST EQUIPMENT MANAGEMENT DATA (CONTINUED)

TYPE NUMBER	NOMENCLATURE	NSN	LIN	FUND	PUBLICATIONS	EQUIPMENT SUPPORTED	COMMERCIAL EQUIVALENT
	Tool Kit, Engine and Power Train Repairmen Army Aircraft Explosimeter Combustible Gas Indicator T-Bar Wrench, Allen, 3/15 Inch Maint Accessory Kit	5180-00-323-4944    5865-01-057-1965					
	Test Panel (REF 442) Multimeter Digital, Data Precision 245 Pulse Generator, Data Pulse 110B Ammeter, GE, 50-254021 Resistor, Dale, Type RHS or (10 ohms 7 5W) Rheostat, Ohmite MOD H				TM 11-5895-831-24		
DMWR 11-5841-291 DMWR 11-5841-291	or (50 ohms 25w) Resistor 10 ohms 5& 25W Diamond (or Carboloy) Tipped cutting tool Receiver Test Adapter (Depot Fabrication) Processor Test Adapter						
DMWR 11-5841-291	(Depot Fabrication) Control Unit Test Adapter (Depot Fabrication) Magnetic Tape Cartridge, Blank Magnetic Tape Cartndge (5024-2364-01) Magnetic Tape Cartndge (5024-2365-01)	5865-01-057-1965					
	Magnetic Tape Cartndge (5024-2366-01) Magnetic Tape Cartndge (5024-2367-01)						

TOOLS AND TEST EQUIPMENT MANAGEMENT DATA (CONTINUED)

TYPE NUMBER	NOMENCLATURE	NSN	LIN	FUND	PUBLICATIONS	EQUIPMENT SUPPORTED	COMMERCIAL EQUIVALENT
	Magnetic Tape Cartndge (5024-2368-01) Magnetic Tape Cartridge (50242369-01) Magnetic Tape Cartndge (5024-2372-01) Magnetic Tape Cartndge (5024-2369-02)						
11A2A1, A3 and 11A4A1, A3 11A2A2A1, A2 and 11A4A2A1, A2 and 11A3A2A1 11A16	Magnetic Tape Cartndge (5024-2362-01) Perform Magnetic Tape Cartndge MC Test Diagnostic (5024-2600-01) Test Fixture, 81-P01761U Test Fixture, 81-P01762U Test Fixture, 81-P01763U	DEPOT FAB DEPOT FAB DEPOT FAB					
11A18 11A1A1 11A1A2 11A2A2 and 11A4A2 11A3 and 11A3A1	Test Fixture, 81-P01764U Test Fixture, 81-P01766U Test Fixture, 81-P10767U Test Fixture, 81-P01769 Test Fixture, 81-P01770U	DEPOT FAB DEPOT FAB DEPOT FAB DEPOT FAB DEPOT FAB					
11A3A2 and 11A3A2A2 11A3A2A3 11A5 11A5A1	Test Fixture, 81-P01773U Test Fixure, 81-P01774U Test Fixture, 81-P01776U Test Fixture, 81-P01777U	DEPOT FAB DEPOT FAB DEPOT FAB DEPOT FAB					
11A21 11A6 11Ai2 11A12A1 11A12A2	Test Fixture, 81-P01778U Test Fixture, 81-P01781U Test Fixture, 81-P01783U Test Fixture, 81-P01784U Test Fixture, 81-P01785U	DEPOT FAB DEPOT FAB DEPOT FAB DEPOT FAB DEPOT FAB					
11A14 11A15 11A17 11A19	Test Fixture, 81-P01786U Test Fixture, 81-P01787U Test Fixture, 81-P01788U Test Fixture, 81-P01789U	DEPOT FAB DEPOT FAB DEPOT FAB DEPOT FAB					

TOOLS AND TEST EQUIPMENT MANAGEMENT DATA (CONTINUED)

TYPE NUMBER	NOMENCLATURE	NSN	LIN	FUND	PUBLICATIONS	EQUIPMENT SUPPORTED	COMMERCIAL EQUIVALENT
11A20 11A23 Unit 12 12A1 12A1A1	Test Fixture, 81-P01790U Test Fixture, 81-P01792U Test Fixture, 81-P01793U Test Fixture, 81-P01794U Test Fixture, 81-P01795U	DEPOT FAB DEPOT FAB DEPOT FAB DEPOT FAB DEPOT FAB					
4A2 3A21-A24, A26, A27, A28, A30 3A25 3A29 3A49 3A39	Test Fixture, 81-P01800U Test Fixture, 81-P01802U  Test Fixture, 81-P01803U Test Fixture, 81-P01804U Test Fixtre, 81-P01808U Test Fixture, 81-P01897U	DEPOT FAB DEPOT FAB  DEPOT FAB DEPOT FAB DEPOT FAB DEPOT FAB					
9A1 9A1A1 9A1A2 9A1A3 9A2 9A3 9A4 JG206F27	Test Fixture Test Fixture Test Fixture Test Fixture Test Fixture Test Fixture Test Board (94580)	DEPOT FAB DEPOT FAB DEPOT FAB DEPOT FAB DEPOT FAB DEPOT FAB NSN					
JG206F32 JG206F600 21900  972445T2 972456T13	Molding Fixture (94580) Indicator Tester (94580) Adapter, Connector (02660) Pointer Cnmper (94580) Press (94580)	NSN NSN NSN  NSN NSN					
972456T15 972456T17 972456T18  972456T2	Coupler Adapter (94580) Wiper Height Tool (94580) Dial Removal Tool (94580) Cementing Tool (94580)	NSN NSN NSN  NSN					
972456T4 972456T6 972456T8 972456T9  972456T4	Coupler Tool (94580) Dial Tool (94580) Brushing Tool (94580) Dial Alignment Tool (94580) Dial Wiper Height Tool (94580)	NSN NSN NSN NSN  NSN					

## TOOLS AND TEST EQUIPMENT MANAGEMENT DATA (CONTINUED)

TYPE NUMBER	NOMENCLATURE	NSN	LIN	FUND	PUBLICATIONS	EQUIPMENT SUPPORTED	COMMERCIAL EQUIVALENT
ME36T AM-6785/U AN/ALM-154 AN/GRM-114A AN/PAS-6 AN/PRM-34A AN/URM-120B AN/URM-209	Insulation Tester (40817) Amplifier Test Set Test Set, Radio Metascope Test Set, Radio Test Set, RF Power Test Set, Radio	NSN 6625-00-361-5318 6625-00-134-2975 6625-01-144-4481 5855-00-790-6197 6625-01-094-5646 6625-01-123-8098 6625-01-168-1187	A48970 V77628 T87468 M36591 R93169 V89534	PS APA APA PS APA SF APA	TM 11-6625-3016 Series	AN/ALM-153 AN/ALQ-133 General Purpose  AN/ARC-201 General Purpose AN/ARC-199, AM-7189	7418N(TER)
AN/USM-433 AN/USM-434 AN/USM-435 AN/USM-436 AN/USM-460 J-4247/AR	Digital Processor RF Processor Test Set, RF Power Test Set, Receiver Test Set Interconnect Box	6625-01-038-4193 6625-01-038-5213 6625-01-038-5702 6625-01-038-5214 6625-01-038-5215 6625-01-188-7470	T74020 T89533 T83265 T90572 T71563	PS PS PS PS PS SF		RT-1300, RT-1354	
KIK-18/TSEC KIR-1A/TSEC	Code Changer Key with AC Power	5810-00-061-3396 5810-00-061-3388					
KIT-1ArTSEC M22520/1-01 M22520/2-01	with AC Power Hand Crimp Tool Cnmping Tool (Shield Center)	5810-00-061-3386					
ME-525/A  ME-526/A	Modulation Meter  RF Millivoltmeter	6625-01-161-1459  6625-01-161-1461		PS  PS		RT-1354, ARC-186	
MIL-C-83723/31-16 MIL-C-83723/31-20 MIL-T-22910/7	Contact Insert-Extract Contact Insert-Extract Crimping Tool (Shield Contact)	5120-00-173-4898					
MK-() MK-() MK-994A/AR	Maintenance Kit Maintenance Kit Test Facilities Kit	5865-01-057-1965 5865-01-059-5083 6625-01-189-7882	V61444	SF PS PS	General Purpose	AN/ALM-153 AN/ALQ-156	
MK-1896/U MK-1961/TSQ-114 MK-1962/TSQ-114 MX-1730/U	Adapter Test Kit Maintenance Kit Fuseholder	6625-01-068-1664 6625-01-068-1665 6625-01-068-1666 5920-00-636-0679	A17680 M02109 M02177	PS PS PS SF		RT-1 300, RT- 1354	

TOOLS AND TEST EQUIPMENT MANAGEMENT DATA (CONTINUED)

TYPE NUMBER	NOMENCLATURE	NSN	LIN	FUND	PUBLICATIONS	EQUIPMENT SUPPORTED	COMMERCIAL EQUIVALENT
MX-7772/U MX-8500/ARM	Thermister Mount Termination Box	6625-00-886-1955 5821-00-179-3243		SF SF		AN/ALQ-156 RT-1167 (), RT- 1300/1354	HP 578A/U
OS-262(P)U PL-1307/U PL-1387/U PP-7286	Oscilloscope Plug-In Unit Plug-In Unit Power Supply	6625-01-007-9416 6625-00-231-0402 6625-00-167-5267 6130-02-041-3490	P32228 S00625		TM 11-6625-278 Series	General Purpose AN/ASN-86 HP 8556A AN/AYA-10	
SG-1207/U SG-1219/U TD-1225(V)2/U TD-1338(V) 1/USM TSEC/ST-20	Signal Generator Signal Generator Frequency Counter Pulse Counter System Interface Simulator	6625-01-188-7441 6625-01-121-6934 6625-01-120-7832 5810-00-061-3396	Z73646 M65673	APA	TM 11-6625-3031 Series		
TS-617D/U TS-3920A/ASN TS-4084/G ACR-TS-24-B	Q-Meter Test Set, STAB/SAS Distovtlon Analyzer Test Set, Radio	6625-01-168-2941 6625-01-169-5333 6625-01-128-8588	Q02968 T93517	PS	TM 11-6625-2942 Series	UH-60 AFCS	
BB-N-4-1 P6008 SC-4931-95CL-J54 SM-B-657451	Nitrogen Tank Probe, X-10 Purge Kit, Fire Purge Adapter	6830-00-292-0131 6625-01-097-0440 4931-00-065-1110 5855-00-125-0807	SF P70517	SF SF		AN/AVS-6 AN/ALQ- 156 AN/AVS-6 AN/AVS-6, PVS-5	
4150 (Honeywell)	Disk, Memory	7025-01-134-8438					
4820 (Honeywell)	Converter	7050-00-320-5645					
4821 (Honeywell)	Generator, Clock	7035-00-320-5644					
4823 (Honeywell)	Generator, Tngger	7050-00-315-0342					
4824 (Honeywell)	Clock, Source	7035-00-369-6340					
4825 (Honeywell)	Generator, Randor	7035-00-365-3984					
4826 (Honeywell)	Generator, Word	7035-00-369-6346					
4827 (Honeywell)	Generator, Pulse	6625-00-371-4204					
5003230	Collimation Attach	5855-01-151-4216		SF		AN/AVS-6, PVS-5	
5003246	Diopter Scope	5855-01-151-4217		SF		AN/AVS-6, PVS-5	
5003423	Wrench, Spanner	5120-00-137-9166		SF		AN/AVS-6, PVS-5	
504 (Gertch)	Bndge Synchro	6625-00-708-7926		APA		AN/ASN-86	

**TOOLS AND TEST EQUIPMENT MANAGEMENT DATA (CONTINUED)**

TYPE NUMBER	NOMENCLATURE	NSN	LIN	FUND	PUBLICATIONS	EQUIPMENT SUPPORTED	COMMERCIAL EQUIVALENT
7806 (Honeywell) 7812 (Honeywell) 7815 (Honeywell) 7847 (Honeywell)	NIN BIN Conditioner, Data Demodulator, Data Conditioner, Signal Tank, Nitrogen Tool, Insert Wrench, Torque Wrench, Spanner	703500-369-6339 7050-00-315-0341 7050-00-315-0337 7035-00-365-3989 6830-00-782-2641 5120-00-137-9196 5120-00-169-5776 5120-00-137-9181		SF SF SF SF		AN/PVS-5 AN/PVS-5 AN/ALQ-156 AN/PVS-5	

**B-39/(B-40 blank)**

## APPENDIX C

## NSN TO TYPE NUMBER CROSS REFERENCE

This appendix lists all the items contained in Appendix A and B In National Item Identification Number sequence cross referenced to the corresponding type number or nomenclature

<u>NSN</u>	<u>TYPE NO. OR NOMENCLATURE</u>	<u>NSN</u>	<u>TYPE NO. OR NOMENCLATURE</u>
5826-00-001-4074	AM-4859A/ARN-89	5826-00-063-3529	ANIARA-54
5826-00-001-4076	C-7392A/ARN-89	5895-00-063-9498	MT-3809/APX-72
5826-00-001-4077	AS-21 08A/ARN-89	6780-00-064-5112	LS948A
6625-00-004-1644	TD-1 160(P)/U	6780-00-064-5113	LS-34A
5895-00-004-8804	MT-4539/AYA-10	6760-00-064-5114	LS-46A
6625-00-010-5090	ME-496/U	6760-00-064-5115	LS-33A
4540-00-012-1031	FM-165B	6780-00-064-5116	LS-49A
6625-00-013-2630	ME-231/FYQ-5	6760-00-064-5117	LS44
6625-00-013-6934	ANIAPM-214	6760-00-064-5118	LS-45A
6625-00-013-7033	AN/UPM-1 33	5180-00-064-5178	TK-101/IG
6110-00-014-6225	MX-8927A/U	5841-00-064-5364	MK-662/UP
6110-00-014-6623	OK-279/A	5120-00-064-5631	10692 (Buchanan)
6110-00-014-6624	ID-1979/A	6780-00-064-5663	LA-96A
6760-00-014-8305	LA406A	6625-00-064-6101	AN/MAAM-1 0
5895-00-017-2114	AS-2038/UPN	6780-00-064-6244	LS-38A
5120-00-017-4145	MS3191-1	6780-00-064-6245	LA-1 78A
6115-00-017-8236	MEP-025A	6780-00-0646246	LA-177A
6720-00-018-7139	LA-405A	6780-00-064-6247	LA-1 76A
5821-00-019-6315	DA-340/URC	6625-00-064-6445	AN/AAM-1 3
5821-00-019-8405	C-3940/ARC-94	4931-00-065-1110	SC4931-95CL-J54
6625-00-022-7894	AN/GSM-64B	6615-00-066-3364	ID-1464/ASW-29
6140-00-033-9659	SH120	6610-00-0664103	GH-211
5826-00-036-6504	ID48A/ARN	6615-00-0664104	DG-411
6625-00-038-7371	AN/USM-108B	6625-00-068-0611	X-2 (Non-Linear)
5120-00-042-7080	MS3198-1	6625-00-069-1363	TS-268E/U
5965-00-043-3463	H-250/U	5985-00-069-1648	794FM (Narda)
6625-00-044-3228	AN/USM-207A	6605-00-069-8762	AN/ASN43()
5895-00-045-4498	AN/TAQ-1 B	6720-00-069-8868	KA-60A
5821-00-045-9695	MK-693/A	5965-00-069-8886	H-189/GR
5821-00-050-8168	PP-3702/ARC-102	5841-00-069-8924	AN/UPD-2
5821-00-050-8255	AN/ARC-102	5120-00-072-5361	
5826-00-053-2080	570-074-010-5 (Bell)	5821-00-072-6108	RT-857/ARC-134
5905-00-054-5093	CN-1238/U	6625-00-073-8082	AN/USM-187
5821-00-054-6374	AS-2285/ARC	6625-00-073-8908	AN/USM-i 98A
5895-00-054-9366	AN-TSQ-70A	6625-00-076-0806	547A (Hewlett Packard)
5915-00-056-4951	CU-1796/ARC	5841-00-078-1344	AS-1858A/APN-171(V)
5915-00-056-4953	CU-1794/ARC	5180-00-078-5307	FM-15
5821-00-057-4037	AN/ARC-11SA	5120-00-0794598	MS24256-A20
5905-00-057-6828	CN-1240/U	5120-00-0794599	MS24256-A16
6625-00-057-7684	SG-769/U	5120-00-0794601	MS24256-R20
6615-00-060-5105	SN442/ASW	5120-00-0794602	MS24256-R16
6615-00-061-1519	CN-811/ASN	6625-00-079-9115	
5810-00-061-3386	KIT-1A/TSEC	6625-00-080-7204	CM-77A/USM
6125-00-062-7483	PU-543/A	5120-00-081-2307	



## NSN TO TYPE NUMBER CROSS REFERENCE (CONTINUED)

<u>NSN</u>	<u>TYPE NO. OR NOMENCLATURE</u>	<u>NSN</u>	<u>TYPE NO. OR NOMENCLATURE</u>
6625-00-082-1434	3445A (Hewlett Packard)	5821-00-089-8201	AS-2147/ARQ-27
5841-00-082-3534	AN/APN-158	6605-00-089-8443	C-8021/ASN-75
5841-00-082-3538	RT-711/APN-158	5895-00-089-9202	MT-3948/APX-72
5841-00-082-3540	C-4881/APN-158	6625-00-089-9657	AN/APM-196A
5841-00-082-3541	AS-1520/APN-158	5826-00-091-0494	MT-1174/ARN-30A
5841-00-082-3544	IP-724/APN-158	5865-00-091-8623	AN/ALR46(V)
5841-00-082-3545	SN-358/APN-158	5821-00-092-1047	SB-327/ARC-44
5821-00-082-3597	RT-348/ARC-54	5821-00-092-1140	MT-1268/AR
5821-00-082-3598	AN/ARC-54	6625-00-095-9861	AN/APM-380
5821-00-082-3599	C-3835/ARC-54	5841-00-097-0029	ID- 345A/APN-i 71(V)
5821-00-082-3698	AN/ARC-51X	5841-00-097-0030	RT-804A/APN-171(V)
5821-00-082-3699	RT-702/ARC-51X	5821-00-097-0080	MD-1 047/A
5821-00-082-3700	C4677/ARC-51X	5985-00-097-7374	SA-521/A
5821-00-082-3701	HD-615/ARC-51X	5841-00-097-9714	J-2794/APS-94D
5841-00-082-3803	AS-1642/APN-158	5985-00-097-9747	FM10-30-1(CCC)
5821-00-082-3926	AN/ARC-51BX	5821-00-100.4300	MK-1004A/ARC
5821-00-082-3927	RT-742/ARC-51BX	6125-00-101-9720	PU-750/A
5821-00-082-3928	C4287/ARC-51BX	6625-00-104-2648	PL-1178/U
5985-00-082-3989	CU-942/ARC	5985-00-106-0906	AT-741B/A
5895-00-082-3991	AS-1703/AR	5826-00-106-1722	ID-1347C/ARN-82
5985-00-082-3991	AS-1703/AR	6625-00-106-9622	AN/USM-281C
6625-00-082-4057	MK-731/ARC-51X	6625-00-107-8173	SG-944/U
6625-00-0824275	MK-722/URC	6140-00-110-3492	BB-599/A(3)
6625-00-0824281	AN/ARM-69	5865-00-110-8161	R-1854/ALR46(V)
6760-00-083-0363	LS-35A	5865-00-110-8163	ID-1902/ALR-46(V)
6760-00-083-8322	LS-36A	5841-00-110-9847	RT-711A/APN-158
6130-00-084-9052	PP4328/ARN-59	5841-00-110-9848	IP-724A/APN-158
6625-00-086-6304	AN/ARM-156	5821-00-110-9849	570-074-010-7 (Bell)
6625-00-086-6726	MA-1	5826-00-111-6777	114E30824 (Boeing)
6625-00-086-7844	AN/ASM-101	5826-00-111-6778	114E3082-6 (Boeing)
6135-00-087-2301	MX-4430/PRC-47	5865-00-111-8215	IP-957/APR-36(V)
5985-00-087-2547	CN-796/U	6625-00-113-6300	8734B (Hewlett Packard)
5826-00-087-3114	AS-2042/ARC	5850-00-113-8115	AN/USA-23A
6720-00-087-3147	LA-373A	5850-00-113-8116	MX-7186A/USA-23
6720-00-087-3151	KA-76A	5850-00-113-8117	MT4105/AAS-14A
6760-00-087-3736	LA-370A	6625-00-113-9764	MK-1148/TAQ-2
6760-00-087-3737	LA-372A	5850-00-114-1128	AN/MS-14B
6760-00-087-3740	LA-371A	5975-00-114-5211	MT4685/A
6760-00-087-3743	LA-374A	5975-00-115-0009	MT-3791C/ARC-1 34
6760-00-087-3745	LA-375A	6610-00-115-2405	AAU-32/A
6625-00-087-4795	AN/URM-64A	6625-00-11 5-6460	SM-568/APM-327
4920-00-0874643	AN/ASM-329	6625-00-11 5-6941	TS452E/U
4920-00-0874644	AN/ASM-330	6625-00-118-6736	SG-747/U
6625-00-089-3146	8403A (Hewlett Packard)	6125-00-119-4563	PU-544A/A
5895-00-0894403	C-6280A(P)/APX	4940-00-122-7224	AN/ARM-164
6615-00-0894427	114E2186-23 (Boeing)	5855-00-125-0807	SM-B457451
1610-00-089-5040	SN-324/AJA-5	5865-00-127-1574	21-036312-01A
5895-00-089-7179	RT-859/APX-72	5810-00-127-2346	(Applied Tech TSEC/ST-21
5826-00-089-7912	ID-663C/U	1560-00-127-3198	206-032-310-3 (Bell)
5985-00-089-8048	AS-1922A/ARC	6685-00-128-2318	501 (United Systems)
5935-00-089-8052 (Magnavox)	709299-801	5120-00-132-0396	MS18278

## NSN TO TYPE NUMBER CROSS REFERENCE (CONTINUED)

<u>NSN</u>	<u>TYPE NO. OR NOMENCLATURE</u>	<u>NSN</u>	<u>TYPE NO. OR NOMENCLATURE</u>
6130-00-133-5879	PP-224/U	5826-00-148-5980	570-074-010-11 (Bell)
4920-00-133-7834	TS-1894A/ASM	6125-00-148-8342	PP-7274( )/A
4920-00-133-7835	SM-335/ASM	5826-00-149-1399	C6873B/ARN-82
4920-00-133-7836	TS-1893/ASM	5855-00-150-1820	AN/PVS-5()
6625-00-133-7898	AN/ASM-121	6625-00-150-1882	AN/AYM-9
5999-00-133-8917	206-075-483-1(Bell)	5826-00-151-2685	AN/ARN-89A
5841-00-133-8978	MT-3068AIAPN-1 58	4920-00-158-2340	SM684/APM-327
5835-00-133-9186	RP-1 39/ASH	6625-00-159-2399	AN/ARM-92A
5835-00-133-9187	MT-3290/ASN-19	6625-00-160-0622	ME-227A/U
5915-00-134-0750	F-1 263/APN-1 71(V)	5895-00-160-2198	RT-859A/APX-72
5915-00-134-0765	369A4675 (Hughes)	5826-00-160-6535	C-8968/ARN-103(V)
1560-00-134-0987	50640003-79	5826-00-160-6537	RT-1 057/ARN-1 03(V)
6625-00-134-1407	AN/USM-281E	5826-00-160-6543	MT4411/ARN-103(/)
4920-00-134-1533	AN/APM-378	5820-00-163-2820	R-1 335A/G
6625-00-134-1570	AN/ARM-84	5965-00-163-9947	H-33/PT
5865-00-134-2601	AN/ALQ-133	4920-00-164-6551	AN/APM-245A
7035-00-134-2602	AN/USQ61	5821-00-165-2970	AN/ARC-114A
6625-00-134-2975	AN/ALM-153	5826-00-1 65-3044	570-074-131-3 (Bell)
6625-00-134-2975	AN/ALM-1 54	5120-00-165-3910	MI 5500-20 (Deutsch)
6625-00-1 34-2976	AN/USM-393	5120-00-165-3913	MS3198-1 P
5895-00-1 34-5393	AS-2670/ARC	6625-00-165-5779	AN/GSM-64A
5985-00-1 34-5393	AS-2670/ARC	6625-00-166-0398	ZM4/U
5895-00-1 34-5394	AS-2486/ARC	5826-00-167-1026	AN/ARN-103(V)2
5985-00-1 34-5394	AS-2486/ARC	5826-00-167-1027	AN/ARN-103(V)1
5821-00-134-6239	RT-742CIARC-51 BX	6625-00-167-5267	PL-1 387/U
5895-00-134-6462	C-8338/AYA-1 0	5985-00-167-7898	CU-1658/A
5855-00-134-6911	ANIASQ-1 32	5821-00-167-7957	AS-162/ARC-114
6130-00-1 34-7405	PP6305/G	6615-00-167-9757	CN-998B/ASN43
6625-00-135-6978	1801A (Hewlett Packard)	6625-00-168-0471	SG-366A/U
5895-00-137-0439	AN/UPD-25	6625-00-168-0585	AN/USM-303A
6625-00-137-2289	AN/AYM-8	6615-00-168-0634	AM4682A/ASN-76
6615-00-1 7-6038	TRU-2A/A	6625-00-168-0954	TS-1836B/U
5895-00-137-8548	AN/TSQ-97	5840-00-168-1568	ANITKQ-2
5120-00-137-9166	5003423	5965-00-168-3608	MX-1646/AIC
5120-00-137-9181		5895-00-168-8383	AS-2485/ARC
5120-00-137-9196		5985-00-168-8383	AS-2485/ARC
5985-00-138-5225	8491B-50(Hewlett Packard)	5985-00-168-8384	AS-2487/ARC
6625-00-138-7320	TS-1 836D/U	5826-00-168-8397	ID-1347A/ARN-82
6625-00-138-7773	AN/USM44C	5826-00-168-8398	R-1388A/ARN-82
5821-00-138-7990	RT-1167( )/ARC-164	5895-00-168-8434	AS-2487/ARC
5821-00-138-7991	RT-1145/ARC-164	6130-00-168-8544	PP-6376/A
6625-00-140-0156	PL-1406/U	5826-00-168-8699	AN/ARN-82A
6605-00-140-1732	C6347/ASN43	5120-00-169-5776	T8438 (Omni Spectra)
5841-00-140-7348	MT-4015/APS-94D	4120-00-169-5776	T8438 (Omni Spectra)
5841-00-143-3542	SN-358A/APN-1 58	6625-00-172-6521	ZM-21 B/U
5841-00-143-3543	AS-520A/APN-1 58	4920-00-176-4112	AN/ASM417
5841-00-143-4116	AN/APN-158A	4920-00-17641 14	AN/ASM-418
5895-00-1434194	AN/ASC-15	6625-00-176-5708	AN/USM744B
5841-00-143-4337	C-7645/APS-94D	5850-00-177-1243	HD-868/AAS-24
6625-00-144-3179	AN/GPM61	5826-00-177-1606	209-075-292-1 (Bell)

## NSN TO TYPE NUMBER CROSS REFERENCE (CONTINUED)

<u>NSN</u>	<u>TYPE NO. OR NOMENCLATURE</u>	<u>NSN</u>	<u>TYPE NO. OR NOMENCLATURE</u>
6625-00-177-1639	DA-75/U	5821-00-181-0430	AN/ARC-134B
5975-00-177-2077	MT-3791B/ARC-134	6760-00-182-4913	1193D64
5826-00-177-3481	570-074-010-9 (Bell)	6625-00-185-4802	SG-1125/U
4940-00-177-6835	AN/ASM-190A	6625-00-185-7817	AM-6880/U
5340-00-178-1406	MT41 67/APN-171 (V)	6140-00-186-8802	BB-558/A(406-075-806-101)
6625-00-179-1532	AN/APM-305	4920-00-188-3161	SM483/APM-327
6605-00-179-1698	MT4074/ASN-86	6625-00-1 88-3232	TS-27B/TSM
6625-00-179-1699	MK-1192/AR	6605-00-188-9025	V-7A
6615-00-179-2039	C-8478/ASW	5820-00-191-1954	C-8379/U
6615-00-179-2040	AM-6279/ASW	6625-00-191-7421	OQ-4(V)1/APS-94D
6615-00-179-2041	C-8476/ASW	6625-00-1 93-8428	OQ-3/APS-94D
6615-00-179-2042	C-8477/ASW	6625-00-194-2842	OQ-59/APS-94D
6615-00-179-2044	AM-6280/ASW	6625-00-194-2849	OQ-64(V)2/APS-94D
6605-00-179-2256	DT-376/ASN	6625-00-196-2858	TS-805D/U
6625-00-179-2528	MK-1191/AR	4130-00-197-6347	AN/MM40
5915-00-179-2792	369A4385 (Hughes)	6625-00-1 97-6910	AN/USM-37E
5895-00-179-3126	CU-942B/ARC	6140-00-204-2737	BB-599/A (2)
5985-00-179-3131	CU-1894/ARC	6140-00-204-2739	BB401/A
5985-00-179-3216	CU-1893/ARC	5985-00-217-0457	AT-256A/ARC
5821-00-179-3243	MX-8500/ARM	5826-00-220-2065	MT4075/ASN-86
5985-00-179-3667	CU-1 759/ARC	6130-00-220-5212	PP-6508/U
5985-00-179-3826	206-075-518-1 (Bell)	5821-00-222-8073	AN/ARC-1 16A
5841-00-1794451	RO-1 66E/UP	6625-00-223-5150	TS-805/U
5975-00-179-4571	369A6472 (Hughes)	6625-00-224-5500	IP-173/U
5895-00-179-4572	369A6471 (Hughes)	5826-00-225-1028	MT-1 955/ARA-50
5835-00-1794690	AN/ASH-23	4920-00-226-5567	TS-1314/APX44
5835-00-1794691	AN/ASH-24	5826-00-226-6030	R-844A/ARN-58
6615-00-179-4968	114E2186-30 (Boeing)	5841-00-228-1658	C-6586A/AYA-3
6615-00-1794973	114E303049 (Boeing)	5841-00-228-1659	AN/ASN-64A
5841-00-179-5843	SG-794/APS-94D	5841-00-228-1660	AS-1766A/APN-168
6625-00-179-7719	AN/ARM-31A	5841-00-228-1661	OA-7401A/APN-168
5965-00-179-7762	M-80CIU	5841-00-228-1662	ID-1282A/AYA-3
5865-00-179-8190	AN/ALQ-80	5841-00-228-1663	OA-7400A/APN-168
6130-00-179-8375	PP-6674/U	5841-00-228-1664	AN/APN-168A
6140-00-179-8382	BB-678/A	5841-00-228-1665	AN/AYA-3A
5850-00-1 798429	AN/AAS-24	6625-00-228-2201	AN/USM-281A
5841-00-179-8430	AS-21 99/APS-94D	6140-00-228-8447	BB476/A
5826-00-179-8437	CP-941/ASN-86	6625-00-229-1060	ZM-3/U
5826-00-179-8438	ID-1579/ASN-86	6625-00-229-1065	1-199
5826-00-179-8440	MX-8123/ASN-86	5840-00-229-6615	OA-7432A/AYA-3
6605-00-179-8441	AN/ASN-86	6625-00-229-7041	1821A (Hewlett Packard)
5841-00-179-8503	AN/APS-94D	5120-00-230-3770	MS-1 8278
5820-00-179-504	CM-374/APS-94D	6625-00-230-3835	AN/USM-365(V)1
5841-00-1794505	IP-923/APS-94D	6625-00-230-5149	TS402/U
5841-00-179-8506	RT-899/APS-94D	6625-00-231-0402	PL-1307/U
5841-00-179-8507	RO-352/APS-94D	4940-00-234-6114	AN/ASM-1 89A
6665-00-179-9037	AN/UDM-2	5895-00-235-4519	CV-2647/AYA-1 0
6665-00-179-9038	C-8163/ADR-(V)	5895-00-235-4520	AN/AYA-10
6665-00-179-9039	ID-1581/ADR4(V)	6625-00-236-1557	AN/URM-1 57A
5826-00-180-3133	AT-134/ARN	6625-00-238-0223	TS-2530A/UR
5841-00-181-0330	AS-2595/APN-1 940	6130-00-2384433	AN/ASM-137A

## NSN TO TYPE NUMBER CROSS REFERENCE (CONTINUED)

<u>NSN</u>	<u>TYPE NO. OR NOMENCLATUR</u>	<u>NSN</u>	<u>TYPE NO. OR NOMENCLATURE</u>
<b>E</b>			
6625-00-239-6016	TS-1588A/AIC	1520-00-368-8442	AN/ARQ-33A
5120-00-240-8703		7035-00-369-6339	7806 (Honeywell)
6720-00-242-5744	LA405B	7035-00-369-6340	4824 (Honeywell)
6780-00-242-5756	ES-38B	7035-00-369-346	4826 (Honeywell)
6625-00-244-0501	TS-585( )/U	6625-00-371-4204	4827 (Honeywell)
6645-00-250-4680		6615-00-371-6667	MX-861 1/ASW
6130-00-252-0004	U-383ANR	5985-00-373-1971	UG-528U
5985-00-254-6555	6460-65010-041 (Sikorsky)	6695-00-378-5449	MX-1292/PAQ
	C-9606/A	5826-00-392-5894	MT-589/ARN-1 2
6110-00-255-1575	TS-147BD/UP	6115-00-394-9576	PU406B/M
6625-00-256-1377	454-12 (Starrett)	6720-00-400-2590	LA428A
5210-00-256-7518	UG-564/U	6625-00-401-2176	8806B (Hewlett Packard)
5935-00-258-9891	AT-382/ARC	5850-00-402-2227	MT44158/MS-24
5985-00-264-7500	MX-991/U	5850-00-402-2228	MT4157/AAS-24
6230-00-264-8261	AN/ASM- 89	5826-00-402-5317	ID-1347/ARN-82
4940-00-265-0318	C-1611 B/AIC	5826-00-402-5318	AN/ARN-82
5831-00-267-9252	AS-580A/ARN-30	4940-00-403-1007	MK-1771/AAS-24
5826-00-270-8399		6625-00-403-1064	AN/MM-35
5120-00-278-2423	AT-134A/ARN	6625-00-403-1065	AN/AAM-32
5826-00-284-8314		6625-00-403-1070	AN/AAM-33
5120-00-288-8865	C-8021/ASN-75	6625-00403-1071	AN/AAM-34
6605-00-289-8443	BB-N4-1	6625-00-403-5839	AN/AAM-31
6830-00-292-0131	TL-559/U	6625-00-403-7990	AN/UPM-98B
6635-00-292-774	AB-340A/ARC	6625-00404-3280	AN/ASM-386
5821-00-295-7064	CU-991/AR	6625-00-404-3281	AN/ASM-385
5985-00-296-2081	AN/ARA-31	6760-00-404-3306	LA4414A
5985-00-296-2470	AN/APX44B	5825-00-405-4510	AN/TRN-30(V)1
5895-00-296-2509	H-104/G	6720-00-406-3431	LS-91 B
5965-00-296-9910	LM-27	6720-00-4064649	C-8340/A
6760-00-302-4773	7815 (Honeywell)	6720-00-406-4653	KS-1 04B
7050-00-315-0336	7812 (Honeywell)	6720-00-406-4654	LA432/A
7050-00-315-0341	4823 (Honeywell)	6720-00-406-4655	LS-91A
7050-00-315-0342	AN/APN-171A(V)1	6720-00-406-4656	KS-113/A
5841-00-316-0362	4821 (Honeywell)	6720-00-406-4657	LS-92A
7035-00-320-5644	4820 (Honeywell)	4130-00-407-7076	AN/AAM-37
7050-00-320-5645	MT-1677/AR	5826-00-407-7300	R-1388/ARN-82
5821-00-321-0673	AT-701/AR	6625-00-408-5040	AN/AAM-36
5985-00-321-0690	CU459/AR	6150-00-410-9880	CX-11779/U
5915-00-3224918	AM-1514/ASN	6625-00-411-3072	AN/UPM-84A
6605-00-322-5753	MT-1546/ARN-32	5985-00-4134414	134SCAV247-1 (Grumman)
5826-00-324-0655	MT-1719/AR	6610-00-417-3139	S1545-65273-1 (Sikorsky)
5985-00-325-9032	MT-1536/ARC-55		MT4447/ASN-86
5821-00-327-5041	RD-385A/UNH-16A	6605-00-417-6207	IP-1 080/AYA-10
5835-00-332-2585	MT-1620/AR	6720-00-419-3126	SG-1 094/U
5821-00-339-1499	AN/PPM-1 0	6625-00-420-3862	ME-30F/U
6625-00-339-2046	AN/GSM-65	6625-00-420-9354	TW-333/ASH-19
4920-00-348-5793	CM-442/ALR46(V)	5835-00-421-1717	MI 5500-25-2 (Deutsch)
5865-00-360-5362	AM-785/U	5120-00-421-5820	DA-638/U
6625-00-361-5218	4825 (Honeywell)	6625-00-422-2111	8025 (North Atlanbc)
7035-00-365-3984	7847 (Honeywell)	6625-00422-2112	ESHMEE
7035-00-365-3989		6625-00-422-2113	

## NSN TO TYPE NUMBER CROSS REFERENCE (CONTINUED)

<u>NSN</u>	<u>TYPE NO. OR NOMENCLATURE</u>	<u>NSN</u>	<u>TYPE NO. OR NOMENCLATURE</u>
6625-00-422-4314	PL-1400/U	6625-00463-5241	01-06101-01(Tektronix)
5825-00-423-1654	AN/TRN-30(V)2	6625-00-463-6041	8802A (Hewlett Packard)
6625-00-423-6617	AN/APM-338		1802A (Hewlett Packard)
6625-00-424-4370	IP-1216(P)/GR	6625-00-464-7744	
6625-00-431-9339	PL-1388/U		OK-11 38/AAS-24
5821-00-432-2379	AN/ARC-134C	5850-00-465-1690	C-8203/ASH-23
6625-00-432-5055	PL-1399/U	5835-00-465-1691	CV-2666/AAS-24
6625-00-432-7312	ME-57A/U	5850-00-466-0153	MX-8357/AAS-24
6625-00-433-2405	ANAAM-30	5850-00-466-0154	HD-841/AAS-24
1340-00-434-5539	MK-172/AAS-24	5850-00-466-4155	MX-8358/AAS-24
5821-00434-5699	AN/ARC-149(V)3	5850-00-466-2018	PP6270/AAS-24
6625-00-435-2588	TS42 C/U	5850-00-466-2019	CY6665/AAS-24
6625-00-4354779	TS-2854/ASH-23	6750-00-466-2062	AN/ASM404
4940-00-435-7764	AN/ASM-146B	6625-00-470-7540	TS-1843B/APX
4940-00-435-7765	AN/ASM-147B	5895-00471-3174	AN/APM-381
6625-00-436-4883	ME41/U	4920-00-472-1545	MB-1
6615-00-437-2834	6490-60500-041 (Sikorsky)	4920-00-474-8311	TS-3134/ARN-103
		6625-00-476-5554	TR-253/AYA
6625-00-437-7312	AN/APM-322	6610-00-477-6272	PL-1285/U
6625-00-445-6917	ANIUSM47	6625-00-479-4699	AN/ASM421
6130-00-4456933	PP-3514/U	6625-00-480-5697	MX-8801/PRC-90
5826-00-445-8310	MT-2416/ASN	6625-00-480-6315	ME-505/U
5826-00-445-8311	ID-882/ASN	6625-00480-8706	MT41 59/AAS-24
5826-00-445-8312	MT-2417/ASN	5850-00-481-3681	SN441/ASW
5826-00-446-1406	CU-865/ASN	6615-00483-8521	BA-1 567/U
5826-00-446-1407	CP-583/ASN	6135-00-485-7402	AM-2853
5826-00-446-1408	ID-883/ASN	5826-00-486-8067	CN-708/ASN
5826-00-446-1409	AN/ASN-33	6615-00486-8072	CN-709/ASN
5810-00-449-0154	TSEC/KY-58	6615-00-486-8073	A-2
5915-00-450-4676	F-1521/A(LPF 40-02B)	6605-00-487-4769	CN405/ASN
5915-00-450-4676	LPF40-2B	6605-004874773	MX-8408/AAS-24
5915-00-450-4677	HPF40-01T	6625-00-489-0468	MX-8409/AAS-24
5915-00-450-4678	BPF40-03P	6625-00-489-2673	AR-92B
6720-00-450-6743	LA434A	6740-00489-6067	LA408B
6615-00-453-5669	9000E	6760-00-489-6164	AN/APM-323
6615-00-453-5669	CN-811A/ASN	6625-00-491-0580	ANIUSA-34
6615-00-453-5670	CN-1314/A	6625-00-491-3491	CN-1174/U
5985-00-454-4923	8491B-10(Hewlett Packard)	5985-00-491-4305	AN/ARN-1 02
		5826-00-491-7159	MT41 56/AAS-24
5985-00-454-6925	CN-1285/U	5850-00-492-6109	ZM48/U
6625-00-455-6894	AN/USM-203A	6625-00-500-0937	TF-171/USM
6625-00459-3402	AN/AAM-38	6120-00-503-0632	AN/PPM-1
6625-00459-3403	AN/AAM-39	6625-00-503-0661	AN/FRC-27
5850-00460-3979	MX-8539/AAS-24	5820-00-503-1 127	TA-248A/TT
5850-00460-3983	IP-970/MS-24	5805-00-503-1482	RT-294/ARC44
5850-00460-3985	IP-969/AAS-24	5821-00-503-1519	T-366/ARC
5850-00460-3987	R-1615/AAS-24	5821-00-503-3434	MT-1 142/ARC
6605-00-460-8158	C-8021A/ASN-75	5975-00-503-3448	MT-1 140/ARC
6760-00-462-3041	LS-89A	5821-00-503-3449	PP4606/G
5810-00-463-3275	TSEC/KG354	6130-00-504-0327	PD-76/ASN-23
6625-00-463-4013	AN/ASM416	5990-00-504-6032	AH-1() SCAS
5895-00-463-4039	CV-2809(V)/ASH-1 9	1520-00-504-9112	CV-265A/ARN-30A
6130-00-463-4638	4638 6200B (Hewlett Packard)	5826-00-505-0645	

## NSN TO TYPE NUMBER CROSS REFERENCE (CONTINUED)

<u>NSN</u>	<u>TYPE NO. OR NOMENCLATURE</u>	<u>NSN</u>	<u>TYPE NO. OR NOMENCLATURE</u>
5826-00-505-0661	R-122A/ARN-12	5826-00-543-0617	CW444/ARN-59
5841-00-505-0751	AN/APN-171A(V)I	5821-00-543-0760	AN/ARC44
5841-00-505-0751	AN/APN-22	5841-00-543-1329	CY-1409A/APN-22
5826-00-505-2222	ID-250/ARN	5841-00-543-1330	RT-160/APN-22
5826-00-505-2947	ID-387/ARN	5820-00-543-1343	AS-612/U
5826-00-505-3094	ID-250AIARN	5821-00-543-1774	AN/ARC60A
5826-00-505-3097	R466A/ARN-32	5821-00-543-1890	AN/ARC-55B
5821-00-506-4474	MT-1762/AR	5821-00-543-1892	RT-349AIARC-55
6605-00-506-9315	J-2	5821-00-543-1893	RT-349B/ARC-55
6625-00-511-0512	AN/USM-231	5835-00-543-1910	MP-2/U
6625-00-511-5383	MX-2517/U	5985-00-545-6235	AT450/ARC
5826-00-511-9051	C-2010/ARN-52	6660-00-545-8580	T420/GMQ-11
6605-00-514-3670	V-8	6625-00-546-6662	SG-92/U
6625-00-519-2056	AN/URM-61A	5821-00-552-0500	AT624A/AR
5821-00-519-4087	RT-349/ARC-55	5841-00-552-9080	MT-803/APN-22
5826-00-519-4963	R-836/ARN	6625-00-553-0142	TS-352B/U
5826-00-519-967	AN/ARN-59(V)	6625-00-553-0433	AN/URM65
6625-00-519-7594	TS-488A/UP	5826-00-553-5924	AT-780/ARN
5826-00-520-8397	R-726/AR	5826-00-553-5926	ID637/ARN
5120-00-521-0569	TL-633/U	6625-00-553-8008	AN/APM66
6605-00-521-8395	AN/ASN-13	6625-00-555-2312	ME-227/U
6605-00-522-3739	MX-8474/ASN-86	5825-00-556-0766	C-1738/FRN-20
6605-00-522-3740	MT4145/ASN-86	6625-00-556-1916	TS-186E/UP
5120-00-522-8601	M15514-20 (Deutsch)	6625-00-556-8107	AN/URM-52
5985-00-523-1044	AT640/ARN	6625-00-556-8108	TTU-23/E
6625-00-523-4291	AN/ARM-22	6625-00-557-1168	AN/ARM-1 86
6625-00-528-6710	AN/APM-379	5826-00-557-3787	AN/ARN-32
6615-00-531-2501	S-3A	6625-00-557-5716	MK-288/URM
6605-00-531-2992	T611/ASN	5985-00-557-7860	CN-8SO1/U
7035-00-533-4464	AN/UYQ-1M0(V)1	6625-00-557-8262	AN/UPM-84
5355-00-534-2787	C-1827/ARC-55	6625-00-558-2324	PL-1392/U
6625-00-534-7458	AN/URM-90	6615-00-564-6680	MT4177/A
5826-00-537-3990	AN/ARN-2	5826-00-564-8461	MN-92A
5820-00-537-3997	AN/FRC-1 5	5826-00-565-0226	CP-2924(P)/ARN-103(V)
5821-00-5374524	SB-329/AR	6625-00-566-3067	SG-1112(V)1/U
6625-00-538-9702	TS-61 7/U	6625-00-5664223	MT-1718/AR
6625-00-539-8536	MD-83A/ARN	6625-00-5664990	AN/URM-98
6625-00-539-8575	SG-1 3/ARN	6125-00-568-5821	DY-107/AR
6625-00-539-8587	AN/UPM-33A	6625-00-569-0325	PP-8044/U
6625-00-539-9685	AN/USM44A	6605-00-569-9402	ID-567/ASN
6625-00-539-9910	AN/URM-81	6760-00-575-3126	LA-161A
6625-00-542-1292	SG-340A/G	6625-00-580-8142	AN/ARM-31
6625-00-542-1331	AN/GSM-6	6625-00-581-2036	AN/URM-105
5410-00-542-2532	S-144B/G	6625-00-581-2097	AN/UPM-93
5180-00-542-5812	TK-90/G	6645-00-583-0066	FM-103
6625-00-542-6217	PP-1243/U	6625-00-583-1526	MX-367/U
6125-00-542-6363	DY-1 50/ARN	6625-00-583-6489	AN/ARM-173
6130-00-542-6385	PP-11 04C/G	6605-00-585-0295	DT-309/AJN
5805-00-543-0012	TA-312/PT	6625-00-585-4915	AM-58/U
5840-00-543-0542	AT-454/ARC	5120-00-585-8434	TEP6 (Snap-On)

## NSN TO TYPE NUMBER CROSS REFERENCE (CONTINUED)

<u>NSN</u>	<u>TYPE NO. OR NOMENCLATURE</u>	<u>NSN</u>	<u>TYPE NO. OR NOMENCLATURE</u>
5985-00-589-2475	AT-326/ARN (Collins)	6665-00-669-0077	AN/UDM-1
6615-00-589-7745	570-074-315-1 (Bell)	6625-00-669-0228	TS-421A/U
6605-00-591-7147	CN-1072/AJN	6625-00-669-0255	SG-71/FCC
5865-00-591-8623	AN/ALR46(V)	6625-00-669-0263	TV-2/U
6625-00-602-2089	CN473/U	6625-00-669-0266	ZM-16/U
5915-00-603-9538	CU435/AIC	6625-00-669-0272	ANARM-5
5821-00-604-3307	RT-98/ARC-102	6625-00-669-1215	TS-268E/U
5180-00-605-0079	TK-100/G	6115-00-669-6510	PU-107A/U
5840-00-605-0092	AN/TKQ-1	5821-00-673-3105	MT-2699/ARC-73
5840-00-605-0093	CV-91 8/TKQ-	5985-00-673-5831	AT-740/A
5825-00-605-2192	AN/FRN-22A	6625-00-674-7097	SG-321/U
6625-00-606-9727	SG-2 1/U	5120-00-675-0867	
5985-00-607-6137	AT-640A/ARN	6140-00-676-9024	BB401 /A
5180-00-610-8177	TK-105/G	5895-00-677-1982	MT-21 00/APX44
5826-00-611-0865	MT-1175/ARN-30A	5826-00-6774450	MT-2018/ARN
5826-00-617-5321	ID-718/ARN	5826-00-677-6046	MT-2019/ARN
6625-00-620-7481	PRD-559A	6110-00678-8507	AM-3209/ASN
5895-00-623-0255	CN-31 8/G	5821-00-681-9779	T-366A/ARC
6625-00-624-3516	SG-299/U	5841-00-681-9820	C-2996/APS-94
5985-00-625-7144	AT455A/ARC	5841-00-681-9894	C-2997/APS-94
5985-00-626-4370	CN-1201/U	5821-00-681-9897	AN/ARC-73
5826-00-626-8731	RT-1057/ARN-1 03(V)	5821-00-682-1468	554-5363-005 (Collins)
5826-00-626-8731	RT-1057A/ARN-103	6625-00-682-2581	AN/UPM-15A
5826-00-626-9874	R666B/ARN-32	5831-00-682-2703	C-1611/AIC
5965-00627-8382	H-101A/U	5841-00-682-3350	PP-2404( )/APS-94
6625-00-628-1262	AN/ARM8	6625-00-682-4815	AN/GPM42
6625-00-628-6515	AN/USM-108	6720-00-682-6541	KA-39A
5865-00-629-4280	AN/ALQ-1 47(V)	6625-00-682-7452	214A (Hewlett Packard)
6625-00-631-5501	ANIARM-92B	5821-00-682-8831	R-1123/ARC-73
6625-00-631-6460	AN/ALM-166	5821-00-682-8832	T-879/ARC-73
6605-00-632-0688	DT-173/AJN	6625-00-682-9596	SG-366/U
5920-00-636-0679	MX-1730/U	5935-00-683-7892	UG-274B/U
5120-00-640-6353	22 (TRU-ARC)	5895-00-686-7626	AT-884/APX44
6625-00-43-1030	ZM-21A/U	5895-00-686-7772	AN/APX44
6625-00-643-1548	AN/URM-25F	5950-00-688-5722	CN-1 6/U
6625-00-643-1670	ME-30( )/U	5826-00-688-6030	C-2275/ARN
6625-00-643-1740	OS-8/U	6615-00-688-9496	114E2186-16 (Boeing)
6625-00643-2811	AN/URM-44	5821-00-691-3143	AN/ARA-56
6625-00-43-5969	AN/UPM-1 5	6615-00-691-3685	114E3030-40 (Boeing)
5965-00-646-4678	M-52A/U	5935-00-695-4914	516-2776-001 (Collins)
6625-00-646-9409	ME-26B/U	5826-00-697-9880	ID-453/ARN-30
6625-00-647-3737	ME-57/U	5821-00-699-0010	MT-1267A/AR
6625-00-649-4286	AN/URM-80	6625-00-699-8162	IP-173A/U
6625-00-649-4636	SG-1A/ARN	6740-00-700-9077	FM-6B
6625-00-649-5193	AN/URM-25D	5895-00-701-2198	RT494( )/APX44
5841-00-653-1683	AM-291/APN-22	5826-00-705-2060	R-844/ARN-58
5930-00-655-1516	MS35058-24	5841-00-706-6554	SN-257A/APS-94
6625-00-656-2454	MX-3667/U	6615-00-707-1302	AN/ASN-23
6615-00-663-8696	S-3B	5841-00-707-2311	RT-530/APS-94
6625-00-668-9418	TS-723D/U	5841-00-707-2312	CM-145A/APS-94
6625-00-668-9749	AN/URM-79	5841-00-707-2313	AS-I 048/APS-94

## NSN TO TYPE NUMBER CROSS REFERENCE (CONTINUED)

<u>NSN</u>	<u>TYPE NO. OR NOMENCLATURE</u>	<u>NSN</u>	<u>TYPE NO. OR NOMENCLATURE</u>
6615-00-7076478	TRU-2A/A	6140-00-753-2251	BB433/A
5841-00-707-7661	IP-516/APS-94	6140-00-753-2252	BB-434/A
5841-00-707-7662	IP-517()/APS94	1680-00-753-3970	TG-80( )/ASW-12
6625-00-708-7926	504 (GERTCH)	1680-00-753-3972	TG-78( )/ASW-12
6625-00-709-0288	ME-202/U	6720-00-753-5152	KA-30A
6760-00-7096022	LM-63	6760-00-753-5155	LA-130A
5826-00-713-0163	MT-2292/AR	6760-00-753-5157	LA-131A
5985-00-713-4356	MX-3341/0	6760-00-753-5158	LA-138A
5821-00-714-7853	F-726/AR	6760-00-753-5159	LA-137A
6625-00-715-5590	AN/USM-83	6760-00-753-5161	LA-135A
6615-00-717-2767	C-7269/ASW-29	5965-00-755-4656	H-157/AIC
5826-00-721-1804	ID-3881ARN	6625-00-756-1500	PP-962/U
6610-00-722-0967	AAU-81A	5826-00-757-2020	MT-2659/ARN
6625-00-724-9593	BC-376M/U	5999-00-757-7042	MK-722/U
6625-00-727-4706	AN/USM-224	6625-00-758-0138	10110B (Hewlett Packard)
5821-00-729-1097	KY-149/AR	5821-00-758-5632	554-5375-005 (Collins)
6760-00-7306777	LA-159A	5915-00-759-0506	TTF-750-5-5EE
6760-00-730-6778	LA-158A		(Telonic)
6720-00-730-6779	LA-163A	6625-00-759-2882	AN/ASM-1 37
6720-00-730-6780	LA-162A	5850-00-762-4713	OA-851 /AAS-24
6720-00-735-6430	134AV33006-1 (Grumman)	6625-00-762-4889	OQ-62/APS-94D
6760-00-735-6435	LA-1 60A	5410-00-763-2339	S-318/G
1610-00-736-3934	MT-2695/AJA-5	5985-00-763-2349	CU-988/U
6115-00-738-6339	PU-19/M	6625-00-765-5708	8732B (Hewlett Packard)
6115-00-738-6342	PU406A	6625-00-766-4685	AN/URM-157
5826-00-739-4479	AS-1304/ARN	6760-00-767-5346	LA-1 36A
5826-00-740-5100	205-075325-1 (Bell)	5120-00-767-9114	T175/ASN
5821-00-751-9450	MT-2641/ARC-94	6615-00-768-5019	MC-1
5985-00-752-0049	CU-361D/ARC	6720-00-769-7340	LA-134A
5821-00-752-0546	AN/ARC-73A	5410-00-771-3354	MK-81/G
5821-00-752-1208	C4074/ARC-73A	6615-00-771-4633	AN/ASW-12(V)2
6130-00-752-2215	PP-2309C/U	6615-00-771-4634	C-3108/ASW-12
5826-00-752-2508	PP-2792/ARN-30D	6615-00-771-4635	MX-2916/ASW-12
6625-00-752-5311	MX-2569/U	6615-00-771-4636	CU-792/ASW-12
5826-00-752-5730	R-1021/ARN-30D	6615-00-771-4638	MX-2917/ASW-12
5826-00-752-5735	C-3436/ARN-30D	6615-00-771-4639	MX-2918/ASW-12
5826-00-752-5814	AN/ARN-30D	6615-00-771-4640	MX-2919/ASW-12
5985-00-752-5826	UG-1389/U	6625-00-773-6102	AN/USM-119
5831-00-752-5895	C-1611A/AIC	6760-00-776-6979	ID-851/U
5821-00-752-5998	SB328/ARC	6760-00-777-5464	LA-154A
5821-00-7526003	RT-295/ARC	6760-00-777-5465	LA-157A
5826-00-752-6013	R-746A/AR	6760-00-777-5466	LA-153A
6615-00-752-7612	C-31 07/ASW-12	5835-00-779-2836	AN/ASH-1 9
6615-00-752-7613	C-3106/ASW-12(V)	6605-00-782-0281	AN/ASM-339(V)1
6615-00-752-7668	CN501A/ASW-12(V)	6625-00-782-0389	TS-2688/URC68
5180-00-752-9068	TK-77/GF	6830-00-782-2641	
6615-00-753-1145	C-7266/ASW-29	5865-00-782-4447	AM6639/ALR46(V)
6625-00-753-2115	AN/USM-98	5950-00-782-4816	369A4508 (Hughes)
6115-00-753-2231	PU-375A/G	5820-00-782-5308	AN/PRC-90
6140-00-753-2249	BB432/A	6625-00-783-5965	AN/URM-127
		5895-00-784-0432	AT-197A/GR



## NSN TO TYPE NUMBER CROSS REFERENCE (CONTINUED)

<u>NSN</u>	<u>TYPE NO. OR NOMENCLATURE</u>	<u>NSN</u>	<u>TYPE NO. OR NOMENCLATURE</u>
6615-00-785-3223	CN-601/ASW-12(V)	6625-00-828-5810	TS-965/U
6625-00-787-0248	FR-126/U	6625-00-828-6410	TS452D/U
6625-00-787-0304	AN/USM-117	6720-00-831-7888	197A (Hewlett Packard)
5841-00-788-1634	OA-7432/AYA-3	5820-00-832-6887	MT-3874/U
5841-00-788-1637	AN/ASN-64	6625-00-832-8551	AN/URM-172
5841-00-788-1774	AN/APN-168	5995-00-832-8945	CX4721NRC
5841-00-788-1791	T-992/A	5820-00-832-9158	AN/URC-68
5841-00-788-1826	OA-7400/APN-168	5850-00-832-9949	ANIAAM-29
5841-00-788-3270	AS-1766/APN-168	6135-00-835-1023	BA-i 090/U
5840-00-7884710	IP-795/TKQ-2	6760-00-837-5328	LM-33-1
5840-00-7884725	KY-564/TKQ-2	6135-00-838-0706	BA-1 568/U
5841-00-7884727	KY-565/AKT-18	4920-00-839-6672	AN/ASM-297
5841-00-788-4737	MT-3448/AKT-18	5826-00-846-2934	CV-1275/ARN
1610-00-788-5223	AN/AJA-5	5826-00-849-0055	AS-909A/ARA48
5841-00-788-5223	AN/AKT-18	5821-00-851-1096	RT-823/ARC-131
5841-00-788-5228	MK-856/AKT-18	4920-00-851-8747	AN/ASM-299
5840-00-788-5282	J-2564/AKT-18	4920-00-851-8749	AN/ASM-298
5840-00-788-6808	SG475/APS-94	4920-00-851-8751	TG-168/ASN-76
5821-00-788-8454	205-706-27-1 (Bell)	4920-00-851-8753	SM-486/ASN
5841-00-788-8613	ID-1282/AYA-3	6615-00-851-8754	ID-1450/ASN
5841-00-788-8631	AN/AYA-3	5820-00-853-6191	MT-3948/APX-72
6625-00-788-9672	AN/USM-205	6625-00-855-8938	AN/GPM46
6625-00-790-2746	AN/URM-120	6625-00-855-8996	AN/GKM-2
5855-00-790-6197	AN/PAS-6	6625-00-855-8998	AN/AKM-2
5826-00-790-6426	R-1496/ARN-89	6625-00-855-9447	AN/ARM-45
5826-00-790-6427	AS-21 08/ARN-89	5820-00-856-0441	AT-1085/TRR-15
5826-00-790-6453	AN/ARN-89	5820-00-856-3054	R-1098/TRR-15
1610-00-799-8429	AN/AJA-5	5841-00-856-8367	RO-166/UP
5820-00-800-9937	AN/ARQ-33	5180-00-856-9653	TK-109/GF
6135-00-801-3493	BA-1 372/U	5820-00-856-9924	AB-720/G
5821-00-801-4671	137X-1 (Collins)	5895-00-857-1289	CN-802/U
6625-00-802-7191	MK-994/AR	6625-00-857-1382	MK-570/ASN
6625-00-802-7425	AN/APM-239A	5120-00-858-1455	M15513-20 (Deutsch)
6625-00-802-8718	AN/URM-1 84A	5820-00-858-5721	AN/URC-10
6625-00-803-1300	MK-731A/ARC-51X	5820-00-858-5925	R-1 122/GR
6625-00-803-3399	AN/PRM-32	6615-00-858-8725	AM-3782/ASW-23
6635-00-805-3652	651C3 (Waters)	6625-00-859-3421	AN/USM48
1680-00-805-3991	TG-81/ASW-12	6605-00-859-7300	MT-2551/AYA-3
6625-00-808-5584	SG-299B/U	6625-00-860-9290	SM-253/ASM-57
6615-00-809-5229	114E2186-26 (Boeing)	6930-00-863-3399	SM-254/ASM-57
6625-00-810-3917	ME-223/U	6625-00-863-3400	AN/ASM-111
5821-00-813-9190	339D-1 (Collins)	6625-00-863-3402	AN/ASM-110
6605-00-816-0329	MK-1040A/ASN	6625-00-863-3403	AN/ASM-113
6625-00-816-9324	ME488/U	6625-00-864-6438	549 (Tektronix)
6625-00-820-0064	TV-7D/U	5120-00-865-3252	MS18137-20-1
5995-00-820-2182	MK-652/APS-94	6125-00-865-9683	PU-543B/A /
6625-00-821-2688	AN/USM-183	4140-00-868-1817	HD-544A/ASM
5826-00-824-5528	137A7 (Collins)	6110-00-868-8129	AM-3261/ASW-12
5945-00-824-5575		5835-00-868-8157	TSEC/KY-8
1680-00-827-0531	114E3030-47 (Boeing)	6625-00-868-8232	MK-774/APN-1 58
6625-00-827-3958	ME-356/U	6625-00-868-8323	AN/ARM63

## NSN TO TYPE NUMBER CROSS REFERENCE (CONTINUED)

<u>NSN</u>	<u>TYPE NO. OR NOMENCLATURE</u>	<u>NSN</u>	<u>TYPE NO. OR NOMENCLATURE</u>
6625-00-868-8338	ID-985/ASN	6625-00-885-5869	AN/ASM-61
6625-00-868-8352	AN/URM-103	6625-00-886-1955	MX-7772/U
5120-00-869-6984	MS18137-20-3	6125-00-888-3056	PU-542A/A
5120-00-869-986	MS18 37-20-2	5985-00-888-8714	CN-1239/U
6625-00-870-2264	AN/GSM-64	5985-00-889-0012	CN-713/U
6615-00-872-3197	114E3030-42 (Boeing)	6140-00-889-1027	BB451/U
6625-00-872-3215	AN/USM-21 3	6135-00-889-1485	BA-1387/U
5985-00-874-2162	AS-1 097A/GR	6625-00-889-1572	AN/ARM-68
6605-00-874-5805	C-12	4940-00-889-1880	MX4042/ASW-12
5965-00-876-2375	LS454/U	4920-00-889-1881	MX4708/ASW-12
6625-00-876-3106	DT-307/G	5821-00-889-4177	C4209/ARC
5820-00-877-1083	AN/ARQ-27	5985-00-889-4217	CU-988/U
5950-00-877-4863	M-2G3 (General Radio)	6720-00-890-7608	LA411A
5895-00-877-6866	MT-2100C/APX44	6720-00-890-7609	LA412A
5120-00-877-6869	M10S	6720-00-890-7610	KA-60C
5820-00-877-7148	423A (Hewlett Packard)	6720-00-890-7623	KS-104A
6645-00-877-8380	LA-387A	5820-00-892-0622	RT-524NRC
5810-00-877-8391	HYL-3/TSEC	5820-00-892-0624	R442/VRC
5180-00-877-8714	LS-79A	5820-00-892-0871	ANNRC46
4940-00-877-8726	AN/ASM-146A	5985-00-892-0895	AT-1108/ARC
6760-00-878-0591	LM-178A	5826-00-892-1056	AN/ARN-30E
6760-00-878-0592	LS-78A	5826-00-892-1061	C-3436A/ARN-30E
6760-00-878-0593	LS-80A	6615-00-892-1687	CN-770/AAS-14
5826-00-878-5339	570-074-010-3 (Bell)	5965-00-892-3353	H-216/U
6760-00-878-5354	LA-392A	5826-00-892-3739	R-1041A/ARN
6760-00-878-5364	LA-391A	5820-00-892-3862	AB-577/GRC
5826-00-878-6533	570-074-131-1 (Bell)	6625-00-892-5223	ID-1 003/ARC
6625-00-878-7990	AN/ASM-338	6625-00-892-5286	TS-2436/U
5895-00-879-0211	AN/APX-72	6625-00-892-5360	AN/USM-159
5821-00-879-1377	AN/ARC-1 34A	6625-00-892-5541	AN/USM-161
6625-00-879-1960	TS-2645/ASN	6625-00-892-5542	ANVRM-1
6625-00-879-1965	TS-2644/ASN	6625-00-892-5863	ME-221/U
5865-00-879-4657	AN/APR-26(V)	5821-00-892-9309	MT-1 535/ARC-54
5865-00-879-5120	AN/APR-25(V)	5841-00-892-9704	MT-3436/APN-168
6625-00-880-3947	10100A (Hewlett Packard)	5841-00-892-9705	MT-3435/APN-168
6625-00-880-5119	AN/USM-298	5820-00-893-1323	MT-1029NRC
6740-00-880-5553	FH-6B	6720-00-893-4272	LA-1 52A
6740-00-880-5637	EN-6C	6625-00-893-7960	8733B (Hewlett Packard)
5985-00-880-5786	AB-924/TKQ-2	6625-00-893-8745	PL-1 378/U
6140-00-881-6887	BB-600A/A	5841-00-895-0713	ID-257A/APN-22
6140-00-881-6889	BB-600/A	5895-00-895-4174	C-6533/ARC
5826-00-883-1621	AM4859/ARN-89	5895-00-895-4175	C-6533/ARC
5826-00-883-1622	C-7392/ARN-89	5895-00-895-4446	TS-1843A/APX
5826-00-884-0899	AN/ARN-52(V)	6625-00-895-6646	TS-1 588/AIC
6625-00-884-1758	AN/URM-1 05B	5826-00-897-4889	ID-998/ASN
6615-00-884-5180	C-3921/ASW-12(V)	6720-00-897-5847	KS-61A
6615-00-884-5169	MX-2916A/ASW-12	5820-00-897-6357	AT-912/VRC
6615-00-884-5170	C-3736/ASW-1 2(V)	6720-00-897-8434	LS40A
6615-00-884-5172	C-3737/ASW-1 2(V)	5826-00-897-9959	M-40A(ARC)
6125-00-884-5261	PU-543A/A	5826-00-897-9961	DMN44.1(Dome- Margolis)

## NSN TO TYPE NUMBER CROSS REFERENCE (CONTINUED)

<u>NSN</u>	<u>TYPE NO. OR NOMENCLATURE</u>	<u>NSN</u>	<u>TYPE NO. OR NOMENCLATURE</u>
5841-00-899-0817	AS-1858/APN-171(V)	6760-00-922-5803	LA413A
6720-00-899-7911	LA-156A	6760-00-922-5804	LA-409A
5810-00-900-0260	TSEC/ST-28	6760-00-922-5805	LA408A
5821-00-901-4327	MK-733/ARC-54	5826-00-923-0524	AS-1870/ARN
6625-00-903-6385	AN/ARM-109	5850-00-923-2468	CY-4815/MS-14A
6625-00-905-1296	PL-1306/U	5850-00-926-0163	OA-7827/AAS-14A
5821-00-905-9935	C-7197/ARC-1 34	5850-00-926-0164	AN/USA-23
6625-00-906-3325	AN/GKM-2A	5850-00-926-0165	OA-7825/AAS-14A
6625-00-906-6406	AN/ASM-120	5995-00-926-0767	CX-11272/AAS-14A
6615-00-907-0795	114E2186-19 (Boeing)	5995-00-926-0768	CX-11271/AAS-14A
6625-00-908-0358	AN/ARM-87	5850-00-926-0812	PP4478/MS-14A
6625-00-908-9577	AN/APM-247	5895-00-926-2509	AN/APX44B
7910-00-910-2606	MX-13A/U	5895-00-926-2574	CV-2090/TAQ-1A
6760-00-910-3802	LS-59A	5841-00-926-3102	MT-3617/A
5841-00-911-2299	RO-166B/UP	6665-00-9264382	DT-322/ADR-6
6625-00-911-6368	AN/USM-207	5821-00-926-7229	C-8156/ARC
4920-00-911-7246	AN/URM-101B	5821-00-926-7230	C-8157/ARC
5841-00-911-8002	IP-516B/APS-94	5821-00-926-7292	MK-1004/ARC
6625-00-912-0429	AN/UPM-98A	5825-00-926-7297	AN/TRN-25
5821-00-912-2240	MT-3791/ARC-134	6625-00-926-7768	AN/ARM-SA
5826-00-912-3285	ID-663B/U	6625-00-927-3507	AN/AYM-1
5821-00-912-3392	MT-3592/ARC-111	6625-00-927-3508	TS-2327/APN-168
5821-00-912-3393	AM4489/ARC-111	6625-00-927-3513	TS-2330/ASN-64
5821-00-912-3394	RT-802/ARC-111	6625-00-927-3514	TS-2326/APN-168
5821-00-912-3395	AN/ARC-111	6625-00-927-3516	AN/ASM-289
4940-00-912-3532	AN/ASM-147A	6625-00-929-1897	ME-512/U
6625-00-912-3671	MX-7729/ARC-111	6760-00-929-9848	LA-407A
5826-00-912-4415	AN/ARN-83	5995-00-930-0002	MX-7268/MS-14A
5820-00-912-4480	RT-278B/URC-10	5850-00-930-0150	AM-4464/AAS-14A
6615-00-913-8715	CN-998/ASN543	5850-00-930-0152	MT-3582/MS-14A
6625-00-913-9781	ME-26D/U	5850-00-930-0153	CV-2052/MAAS-14A
5120-00-915-4588	M15570-16 (Deutsch)	5850-00-930-0154	MT-3610/AAS-14A
5826-00-915-4606	MT-3680/ARN-52(V)	5850-00-930-0155	CY481 1/U
5120-00-916-2316	M15515-22P/A	5850-00-930-0156	C-6822/MS-14A
(Deutsch)		5850-00-930-0158	SB-2649/MS-14A
5120-00-916-2318	M15513-22A (Deutsch)	5850-00-930-0159	AN/UAS-4A
6130-00-916-7156	522-2929-001 (Collins)	6135-00-930-0810	K-308A
6625-00-916-9688	AN/UAM-12	5180-00-930-1216	TK-191/UAS-4A
6625-00-917-3099	AN/USM-260	5850-00-930-1891	MX-71 86/USA-23
5841-00-917-6968	RO-166D/UP	5850-00-930-1892	MT-3583/USA-23
5826-00-919-1337	AT-890A/ARN	6760-00-930-1893	MA-18/U
6615-00-919-1962	CN-1151/ASN-76	5826-00-930-2004	R-1041B/ARN
5810-00-919-4554	TSEC/KY-28	6665-00-930-2304	RO-301/ADR-6
5895-00-919-9513	MT-3513/APX	1430-00-930-2724	CP-854/ADR-6
5831-00-920-3058	C-611C/AIC	6665-00-9304709	AN/ADR-6
5826-00-920-7107	C-6873A/ARN-82	6140-00-930-5130	BB-64 1/A
5826-00-920-7108	MT-3600/ARN-82	5841-00-930-6326	IP-51 6C/APS-94
5826-00-920-7177	MT-3605/ARN-83	6625-00-930-7004	SM454/TAQ-1 A
5120-00-921-5769	MS3191-4	6130-00-930-7466	369A4554 (Hughes)
6760-00-922-2680	LS-86A	5915-00-930-7547	369A4575(Hughes)
6625-00-922-3586	CP-772A/U	5965-00-930-8084	MK-896A/AIC
6760-00-922-5802	LA410A		

## NSN TO TYPE NUMBER CROSS REFERENCE (CONTINUED)

<u>NSN</u>	<u>TYPE NO. OR NOMENCLATURE</u>	<u>NSN</u>	<u>TYPE NO. OR NOMENCLATURE</u>
6625-00-930-8215	222A (Hewlett Packard)	5930-00-937-4178	CVA-1224M
6625-00-930-9920	AN/ARM-22A	5915-00-937-4440	SI-07-F
6140-00-931-4758	BB-648/A	5821-00-937-4686	AN/ARC-131
6115-00-931-6789	PU-375B/G	5895-00-937-4687	CU-942A/ARC
6625-00-931-6793	PP4838/U	5821-00-937-4688	MT-3664/ARC
6625-00-932-1852	8731B (Hewlett Packard)	6615-00-9374806	AM-4808/ASW-29
6625-00-933-2406	AN/USM-303	6615-00-937-4807	C-7264/ASW-29
5950-00-933-3339	369A4587 (Hughes)	6615-00-9374808	C-7263/ASW-29
6605-00-933-4280	C-8099/ASN-76	6615-00-937-4809	AN/ASW29
6605-00-933-4281	AN/ASN-76	6615-00-9374810	C-7265/ASW-29
6140-00-933-4286	BB-652/A	6625-00-937-5251	AN/MM-28
5850-00-933-5580	R-1386/MS-14A	4440-00-9374437	HD-769/ASW-29
6615-00-933-6037	MD-1	5990-00-937-6444	SN409/ASW-29
6625-00-933-6112	TS-2530/UR	5990-00-937-6445	SN41 0/ASW-29
6615-00-933-7597	DG401	5821-00-937-7633	MD-736/A
6625-00-933-8786	TS-2609/U	6615-00-937-7671	MT-3870/A
5831-00-933-9822	C-1611D/AIC	6115-00-937-8468	PU-678/G
5821-00-935-0058	MK-1035/ARC-131	5821-00-937-9614	C-7088/ARC
6625-00-935-0145	AN/USM-203	6625-00-938-0232	TS-2973/APS-94D
5895-00-935-0186	C-2714B/APX44	6625-00-938-0233	OQ61/APS-94D
6740-00-935-3848	EH-29B	6625-00-938-0234	TS-2967/APS-94D
6740-00-935-3849	EN-36B	6625-00-938-0278	OQ45/APS-94D
6740-00-935-3850	EN-100A	5821-00-9384508	RT-742B/ARC-51 BX
6740-00-935-3851	FM-180A	6125-00-938-6539	PU-543D/A
6740-00-935-3854	EH48B	6625-00-939-5894	AN/ASM-80A
6625-00-935-4214	AN/USM-264	5841-00-940-8146	CV-2093/TKQ-2
6625-00-935-4293	AN/ARM-1 15	5895-00-941-0780	AN/MSC-53A
5895-00-935-4975	AT-884B/APX	5826-00-941-2073	AS-1 869/ARN
5821-00-935-5071	AN/ARC-114	5841-00-941-5519	CV-2094/A
5821-00-935-5072	AN/ARC-115	6615-00-943-1494	CN-1325/ASW
5821-00-935-5073	AN/ARC-116	6625-00-943-2059	ANIAPM-246
6135-00-935-5241	BA-112/U	5895-00-943-6829	MD-79/TAQ-IA
6625-00-935-6924	SG-321B/U	5895-00-943-847	OA-7940/TAQ-1A
5895-00-935-8098	AN/TSQ-71A	5895-00-943-6859	MK-91 3/G
6150-00-935-8722	CX-11934/U	5895-00-943-6863	OA-7939/TAQ-i A
5975-00-935-9582	MT-3949A/U	5895-00-943-6869	OA-7941 /TAQ-1 A
5821-00-936-0924	MT-3791A/ARC-134	5895-00-943-4870	SB-2767/TAQ-IA
6720-00-936-5430	KA40B	5895-00-944-1314	AN/TPX44
6125-00-936-9770	PU-542/A	5840-00-944-2455	C-6989/TPN-1 8
5985-00-937-0415	MT-3772A/A	5895-00-944-9271	MT-21 00B/APX44
5810-00-937-1036	MT-3802/ARC	6625-00-945-7983	MK-865/AYA-3
5821-00-937-1086	AN/ARC-134	6625-00-945-8494	AN/GPM40
5120-00-937-1087	A-2052 (GE)	1610-00-946-2414	550512
6760-00-937-1918	LS-71A	6625-00-946-5390	MK-864/APN-168
6760-00-937-1919	LA-379A	5850-00-946-9837	MK-898/AAS-20
5841-00-937-1989	RO-166C/UP	5821-00-946-9838	AN/ART-41A
5841-00-937-1990	RO-166A/UP	5850-00-946-9999	AN/AAM-26
4920-00-937-2554	MX4042A/ASW-12	5841-00-947-3257	AN/UVS-1
5895-00-937-2888	OA-8226/TAQ-1B	5895-00-947-9762	AN/TAQ-1A
4940-00-937-3448	MK-1016/AAS-14A	6626-00-948-0071	AN/APM-123(V)1

## NSN TO TYPE NUMBER CROSS REFERENCE (CONTINUED)

<u>NSN</u>	<u>TYPE NO. OR NOMENCLATURE</u>	<u>NSN</u>	<u>TYPE NO. OR NOMENCLATURE</u>
5826-00-948-0417	RT-384/ARN-52(V)	6140-00-980-0025	BB-649/A
5850-00-949-2133	MK-953/UAS4A	5821-00-980-5789	MT-2653/ARC
5895-00-949-5303	AN/UAM-11	6760-00-981-5055	LS47A
6625-00-949-8185	MX-7270/UAS4	5985-00-982-0370	134AV45511-5 (Grumman)
5850-00-949-9497	MK-989/UAS4A	6625-00-982-2977	AM4825A/U
6625-00-950-1124	AN/ARM-94	5826-00-983-1689	AN/ARA-50
5841-00-952-3244	MK-71 9/AKT-16	6140-00-983-9435	BB4601/A
5841-00-952-6131	J-1 098C/APS-94	6625-00-985-5251	ME-5A/U
5841-00-952-8855	AN/APS-94C	6130-00-985-7899	PP-2953/U
5841-00-952-8887	CM-145C/APS-94	6125-00-985-7950	PU-544/A
5895-00-952-9012	TTF-1500-5-5EE (Telonic)	6130-00-985-8143	PP-3941/G
6130-00-953-7500	PP-3940AIG	6130-00-985-8157	PP-1451/G
6625-00-953-7537	MX4618/U	6130-00-985-8185	PP-1659/G
5985-00-957-1860	CN-1128/U	5840-00-985-8244	PP4338/TKQ-2
6125-00-958-6915	PU-545/A	5840-00-985-8245	PP-4339/TKQ-2
6615-00-961-1691	CN-1179/ASW	6110-00-985-8257	SB-2471/AKT-18
5120-00-963-7661	CETC6B	5841-00-985-8909	C-6586/AYA-3
5826-00-964-2920	ID-63A/U	5841-00-985-8911	OA-7401/APN-168
5841-00-964-9115	MT-3069/APN-1 58	5820-00-985-8925	R-1 335/G
5841-00-964-9116	MT-3068/APN-1 58	5821-00-985-8926	T-991/AR
4940-00-965-0317	AN/ASM-190	5821-00-985-8927	C-6598/AR
4940-00-965-0318	AN/ASM-1 89	5820-00-985-9016	RT-278/URC-10
6625-00-965-1341	AN/ARM-71	5985-00-985-9024	AS-1729NRC
6625-00-965-1501	AN/URM-52B	5826-00-985-9173	AS-1863/ARN-83
6625-00-966-1961	AN/AKM-2A	5826-00-985-9174	C-6899/ARN-83
6625-00-966-2055	TS6417C/U	5120-00-987-0785	CET-20A (Cannon)
1610-00-967-9647	AN/ASM-126	6625-00-987-8527	ME-254/U
1610-00-967-9651	AN/ASM-127	6625-00-987-8530	MX-3719/ASW-12
6615-00-967-9685	CN-811A/ASN	6625-00-987-8532	MX-3723/ASW-12
6625-00-967-9913	TS-147F/UP	6625-00-987-8595	MXC4043/ASW-12
6625-00-969-4105	ME-303A/U	6625-00-987-8596	TS-1643/ASW-12
5821-00-971-6129	570-074-060-1 (Bell)	6625-00-987-8597	TS-1644/ASW-12
6625-00-971-6210	AN/UPM-93C	6625-00-987-8599	TS-1652/ASW-12
1560-00-971-6292	209-030-133-3 (Bell)	6625-00-987-8601	TS-1658/ASW-1 2
6625-00-9724046	ME-202B/U	6625-00-987-8602	TS-1659/ASW-12
6625-00-973-1393	AN/ASM-112	6625-00-987-8634	TS-1660/ASW-12
6780-00-973-2216	LS-50	6625-00-987-8635	TS-1661/ASW-12
5410-00-973-2936	MK-679/G	6625-00-987-9058	AN/AAM-12
6780-00-973-3885	LS-51A	5840-00-987-9175	ID-1142/APS-94
6625-00-973-3986	AN/URM-145	6625-00-987-9381	AN/ASM-125
6625-00-9734183	FR-146/U	6625-00-987-9382	AN/ASM-80
4920-00-973-4184	MX-37221ASW-12	6625-00-987-9453	AN/GPM-52
6625-00-973-4185	TS-1663/ASW-12	4920-00-988-0206	7365 (UMC)
6625-00-973-4186	TS-1656/ASW-12	5865-00-989-2107	31-011203-01 (Applied Technology)
5180-00-973-4369	TK-144/G	6625-00-990-7700	AN/URM-44A
4120-00-973-4589	CE20VA1-208	6760-00-992-9435	LS-39
6140-00-977-2753	BB-599/A (1)	5985-00-993-1377	CN-970/U
5826-00-977-2759	M41B(ARC)	5826-00-994-1578	R-391/ARN-83
6615-00-978-0673	CN-811/ASN	5821-00-997-4766	153L-2 (Collins)
6720-00-978-7415	LA-378A	5826-00-998-4976	ID-388A/ARN
6720-00-978-7417	1134H14-2 (Fairchild)		

## NSN TO TYPE NUMBER CROSS REFERENCE (CONTINUED)

<u>NSN</u>	<u>TYPE NO. OR NOMENCLATURE</u>	<u>NSN</u>	<u>TYPE NO. OR NOMENCLATURE</u>
5850-00-999-1112	AN/MS-14A	5841-01-015-7764	MT4793/AKT-18A
5850-00-999-1113	AM4467/AAS-14A	5841-01-015-7765	RO-166F/UP
5850-00-999-1114	AM-4468/AAS-14A	5826-01-016-2761	AN/ARN-123(V)2
5850-00-999-1115	HD-723/AAS-14A	5826-01-016-2762	AN/ARN-13(V)1
6615-00-999-3467	114E3030-43 (Boeing)	5985-01-016-3789	CU-2206/ARC
6780-00-999-4373	LS-70A	5831-01-018-1245	MD-1101/A
5995-00-999-4376	LA-390A	5820-01-018-1246	AN/TSW-7A
6625-00-999-5118	AN/ARM-92	4940-01-018-2505	AN/ALM-153
6625-00-999-5119	AN/ARM-93	5841-01-018-2869	AN/AKT-18A
6760-00-999-5662	LS-9A	5826-01-020-2258	R-2023/ARN-123(V)
5985-00-999-5927	CU-1658A	5826-01-020-2263	C-1 0048/ARN-123(V)
5410-00-999-6022	S-280A/G	5826-01-020-2266	MT4834/ARN-123(V)
6760-00-999-6088	LA-359A	5841-01-020-2281	AN/APN-209(V)1
6760-00-999-6089	LA-360	5895-01-020-8757	R-2017/U
6625-00-999-6282	AN/URM-105C	5826-01-021-3288	R-1496A/ARN-89
6895-00-999-4889	C-7012/TPX-44	5826-01-021-3289	AN/ARN-9B
5895-00-999-6895	CY4879/G	1680-01-022-9242	CY-741 0/ALQ-i 33
5826-00-999-7143	ID-151/A	5826-01-022-9255	C-10049/ARN-123(V)
6625-00-999-7465	AN/USM-223	5826-01-022-9257	MT4835/ARN
5850-00-999-7654	IP-807/U	5865-01-023-0387	C-9632/ALM-153
5840-00-999-7656	IP-08/U	5841-01-023-1211	AN/APN-209(V)2
5850-00-999-7657	CY4832/AAS-14A	5841-01-023-7112	AN/APR-39(M)1
5850-00-999-7658	CY4813/AAS-14A	5865-01-024-0390	J-3238/ALM-153
6625-00-999-9405	MK-866/ASN-64	5865-01-024-0391	C-9539/ALM-153
5841-00-999-9772	CM-145B/APS-94	6625-01-024-0395	SM-701/ALM-154
5821-01-003-0632	AS-2285A/ARC	5865-01-024-0396	CV-31 73/ALQ-133
6625-01-007-4796	AN/USM-205A	5865-01-024-0397	CV-3172/ALQ-133
6625-01-007-9416	OS-262(P)U	5865-01-024-0415	CM446/ALQ-133
6625-01-007-9481	PL-1373/U	5865-01-024-0416	CM447/ALQ-133
7025-01-008-0538	RAB637/5BAX(Remex)	5865-01-024-0417	CV-3174/ALQ-133
5865-01-008-6350	AN/ALQ-151 (V)1	5865-01-024-0422	AS-2998/ALQ-133
5865-01-008-6638	AN/ALQ-143	5865-01-024-0423	AS-2997/ALQ-1 33
6625-01-008-8738	AN/ASM-365	5865-01-024-0429	C-9536/ALQ-1 33
6660-01-009-4369	ML-53/TSQ-97	5865-01-024-0448	CU-2 1 04/ALQ-1 33
6625-01-010-3524	SG-1105/U	5865-01-024-0450	0-1672/ALQ-133
6625-01-010-5090	ME496/U	7035-01-024-0953	MD-939/USQ-61
5826-01-012-1938	RT-1 59A/ARN-118	5865-01-024-3845	C-9537/ALQ-133
5840-01-012-8623	AN/TKQ-2A	5865-01-024-3883	PP-7035/ALQ-133
6625-01-013-9900	AN/PRM-32A	5865-01-024-3885	AS-2995/ALQ-133
6625-01-014-0391	P6053B (Tektronix)	5865-01-024-3886	AS-2944/ALQ-133
6625-01-014-4587	AN/USM-127A	5865-01-024-3897	C-9538/ALQ-133
5826-01-015-0839	AN/ARN-118	5895-01-024-7725	AN/TSC-87
5826-01-015-1574	R-1963/ARN	5841-01-024-7739	CM440/APR-39(V)
6625-01-015-6563	AN/USM423	7035-01-024-7913	PP-7036/USQ-61
5840-01-015-7751	IP-1236/TKQ-2A	5841-01-025-0378	C-9326/APR-39(V)
5841-01-015-7752	KY-565A/AKT-18A	5841-01-025-0379	MX-9848/APR-39(V)
5841-01-015-7753	C-9963/AKT-18A	5950-01-025-6732	MX-9713/TSQ-97
5840-01-015-7754	KY-564A/TKQ-2	5895-01-025-8899	AS4034/TSQ-97
5841-01-015-7757	PP-7255/AKT-18A	5985-01-026-3926	AS-2891/APR-39(V)
5841-01-015-7763	MT4792/AKT-18A	5985-01-026-3927	AS-2890/APR-39(V)

## NSN TO TYPE NUMBER CROSS REFERENCE (CONTINUED)

<u>NSN</u>	<u>TYPE NO. OR NOMENCLATURE</u>	<u>NSN</u>	<u>TYPE NO. OR NOMENCLATURE</u>
5810-01-026-9618	KYK-13/TSEC	7035-01-041-3437	AN/UYK-23
5810-01-026-9619	KYK-15/TSEC	7035-01-041-3438	C-9633/UYK-23
5810-01-026-9623	Z-AHP/TSEC	6625-01-041-4161	AN/ARM-180
5810-01-026-9624	Z-AHQ/TSEC	7035-01-042-0150	MT4904/USQ-61
6625-01-026-9914	TS-3447/ALM-1 53	6140-01-046-1116	BB433AIA
5865-01-028-8239	CV-3171/ALQ-133	6625-01-046-1163	SG-1127/APS-94E
5865-01-028-8266	AS-2996/ALQ-1 3	5985-01-047-2770	AS-3266/APR-44(V)
5865-01-028-8283	OR-i 40/ALQ-133	5841-01-047-5398	AN/APR-44(V)1
5865-01-028-834	MD-101 3/ALQ-147	5841-01-047-5399	AN/APR-44(V)2
5865-01-028-8344	C-10175/ALQ-147	5841-01-047-5400	AN/APR-44(V)3
5865-01-028-8345	CY-7565/ALQ-147	5841-01-047-5485	R-2097/APR44(V)
5865-01-028-8411	C-10174/ALQ-147	5841-01-047-5486	R-2098/APR44(V)
6610-01-029-7542	ID-21 03/A	5841-01-048-0705	C-10387/APR-44(V)
5985-01-029-7543	AS-3188/ARN	6130-01-048-2118	6114A (Hewlett Packard)
6610-01-029-7544	ID-2104/A	5810-01-048-8168	ON222036
6625-01-031-0708	ME-51 8/U	5895-01-049-0950	R-2057/USQ-61
5865-01-0314052	RD-392/U	5810-01-050-2502	TSEC/KY-75
6940-01-031-5887	SM474/UPM	5810-01-050-8834	Z-AKM/TSEC
5841-01-031-5890	R-1838/APR-39(V)	5810-01-052-3637	TSEC/ST44
5985-01-031-7155	AS-3205/ARC	4940-01-052-3773	AN/TSM-133
6615-01-031-7270	CN-1497/A	6625-01-052-3881	AN/APM-305A
6140-01-032-4285	BB-708/U	5895-01-053-1334	RT-1157/APX-100
5865-01-032-4294	T- 346/ALQ-147	4940-01-053-5534	AN/ASM-615
6140-01-034-3136	BB-507/U	5985-01-053-5734	134CS30103-3 (Grumman)
5821-01-034-4292	MT-4838/ARC-1 64	5841-01-054-8540	AN/APR-39(V)2
5865-01-034-9117	T-1 360(V)1/ALQ-144	5841-01-054-8541	CM480/APR-39(V)
5985-01-035-0809	AS-3204/ARC	5841-01-055-0236	C-10412/APR-39(V)
7035-01-035-1343	SA-2056/USQ-61	6130-01-055-1574	AN/USM432
7050-01-035-1344	J-3239/USM-393	5865-01-057-1965	MK-( )
5810-01-035-2860	ON205104	5865-01-057-2014	T-1360(V)2/ALQ-144
5985-01-035-5970	AS-2892/APR-39(V)	7025-01-057-2621	2200 (Tally)
5865-01-037-1325	CY-7611/ALQ-144	7025-01-057-2622	911-B(DDC)
5865-01-037-1334	AN/ALQ-144(V)1	5810-01-057-2632	ASR33-20/5JO
5865-01-037-1345	C-10280/ALQ-144	5895-01-057-3968	AN/TSC41 B
5841-01-037-8716	IP-1150/APR-39(V)	5821-01-0574037	AN/ARC-115A(V)1
6625-01-0384193	AN/USM433	6780-01-057-5621	ES-38C
6625-01-038-5213	AN/USM434	6940-01-058-1066	SM-756/APR44
6625-01-038-5214	AN/USM436	5985-01-058-1078	CY-7658/GRC
6625-01-038-5215	AN/USM460	5410-01-058-6292	S-594/TSC-61B
6625-01-038-5702	AN/USM435	5895-01-058-6314	C-1041 7TS
6625-01-038-8243	AN/ALM-1 78	5895-01-058-6315	C-1 041 8/TS
6625-01-039-1488	AN/URM-120A	5895-01-058-6324	C-1041 9/TS
5826-01-0394148	ID-2105/A	5826-01-058-6800	AN/ARN-123(V)3
5841-01-040-3872	RO495/APS-94E	5826-01-058-7717	MT4980/ARN-1 23(V)
5841-01-040-3873	AN/APS-94E	5841-01-058-7873	RT-11 15/APN-209(V)
5865-01-040-4309	AN/ALQ-144(V)2	6625-01-058-7874	OQ-63A/APS-94D
5895-01-040-9660	AN/ASC-1 5A(V)1	5841-01-058-7994	ID-1917/APN-209(V)
5895-01-040-9661	AN/ASC-1 5A(V)2	5821-01-058-8734	C-9533/ARC-164
5826-01-041-2044	MT-4915/A	5865-01-059-5083	MK-( )
7035-01-041-3401	MT4902/USQ41	6625-01-0604804	AN/USM451
7035-01-041-3402	MT4903/USQ61	5865-01-060-9555	CV-3396/ALQ-133

## NSN TO TYPE NUMBER CROSS REFERENCE (CONTINUED)

<u>NSN</u>	<u>TYPE NO. OR NOMENCLATURE</u>	<u>NSN</u>	<u>TYPE NO. OR NOMENCLATURE</u>
5865-01-061-0263	AST-1503A	5865-01-070-2027	PP-7472/TLQ-17A
6625-01-061-1236	AN/APM415	5865-01-070-2046	R-21 07/TLQ-17A
5895-01-061-2646	OP-126/G	6625-01-070-3658	AN/USM41 0(V)1
5841-01-061-2669	PP-7508/APS-94F	5860-01-070-3841	AN/MS-32
6140-01-061-2818	BB476/A	5860-01-070-3842	AN/AAM-55
5865-01-061-6776	CV-3395/ALQ-133	5860-01-070-3843	AN/AAM-56
5895-01-061-6941	AS-3243/GRC	5841-01-070-3859	AN/APS-94F
6625-01-061-8928	AN/USM459	5841-01-070-3860	CM481/APS-94F
5821-01-062-0961	CM482/ARC-1 86	5841-01-0704034	J-2794A/APS-94D
5821-01-062-1019	RT-1 300/ARC-1 86(V)	5841-01-070-4064	RT-1283/APS-94F
5985-01-062-8174	AS-3322/APS-94F	5826-01-070-4065	R-2139/ARN-123
5826-01-062-8237	ID-2192/ARN-124	5826-01-070-4066	AN/ARN-82B
5895-01-063-1474	AS-3244/TS	5826-01-070-4067	AN/ARN-123(V)4
5865-01-063-1575	OK-270/ALQ-1 33	5821-01-070-4271	MT48017/ARC-164(V)
5821-01-063-1915	AN/ARM-163(V)3	5841-01-070-4272	MT-016/AKT-18B
5895-01-063-1916	AN/TSQ-1 05(V)3	6625-01-070M4404	OA-8991/MSM
5821-01-063-1917	AN/ARQ-83(V)4	5826-01-0704406	ID-1351C/A
5841-01-063-1918	CP-1252/ASN-128	6625-01-070-4407	OQ1A/APS-94D
5841-01-063-1919	RT-1193/ASN-128	5841-01-070-4408	AN/AKT-18B
5826-01-063-1920	ID-1351D/A	5821-01-0704433	C-10547/ARC-164(V)
6625-01-063-1940	AB-1256/GRC	5840-01-070-4435	KY-871/TKQ-2B
5895-01-063-4019	RT-1285/APX-100	5821-01-0704695	C-10604(V)3/ARC-1
5895-01-063-4020	RT-1296/APX-100		86(V)
5895-01-063-4021	C-10533/APX-100	5821-01-070-5844	RT-1 288/ARC-
5895-01-063-4022	MT-4811/APX-100		164(V)12
5895-01-063-6594	SM-763/ARM-185	5865-01-070-8960	C-1 0050/USQ
5826-01-063-6605	AN/ARN-124	5865-01-070-8961	C-10144/ALQ-151
5826-01-063-8017	MT-034/ARN-124	5840-01-070-9415	AN/TPN-1 8A
5841-01-064-1841	CV-3338/ASN-128	5865-01-071-1888	IP-1251/USQ
6625-01-064-3555	ME497/U	5860-01-071-5061	C-9641 ( )/AAS-32
1560-01-064-4923	209-077-202-3 (Bell)	5860-01-071-5062	CY-7440/MS-32
6605-01-064-7159	209-074-080-3 (Bell)	5860-01-071-5152	MX-9623( )/MAAS-32
6605-01-064-7160	209-074-070-3 (Bell)	5865-01-071-5301	KY-836/ALQ-151
6605-01-064-7161	209-074-092-1 (Bell)	5821-01-071-5624	AN/ARC-164(V)12
4940-01-064-7342	PP-7462/U	5895-01-071-6266	MK-1 899/G
5841-01-064-9738	AN/ASN-128	6140-01-071-8560	BB-648A/A
6615-01-065-7122	570-074-315-3 (Bell)	5411-01-072-0562	S606/TKQ-2B
5821-01-066-5318	MT4051/ARC-186(V)	5860-01-072-1014	CY-7441/AAS-32
5810-01-066-7587	ON512424	5860414-072-1017	R-1920( )/AAS-32
5826-01-066-8600	RT-1 294/ARN-124	5821-01-072-1351	R-2136/ARC-164(V)12
6625-01-068-1664	MK-1 896/U	6140-01-072-3124	BB-599A/A
6625-01-068-1665	MK-1961/TSQ-1 14	6140-01-072-3125	BB432A/A
6625-01-068-1666	MK-1962/TSQ-114	4940-01-072-44449	AN/ASM-17
5995-01-068-6914	CX-13092/ARC-1	5821-01-072-8146	OQ-273/ARC-164(V)
	64(V)12	6140-01-073-3206	BB475/A
6140-01-068-8572	BB6 49A/A	5841-01-073-9011	C-1 0546/AKT-188
5840-01-069-4222	CY-7760/U	5841-01-073-9012	KY-865/AKT-18B
6625-01-069-4223	AN/USM-41 (V)2	6625-01-073-9858	AN/UKM-5
6625-01-0694970	TS-3790/U	6625-01-074-4337	SG77A
6625-01-069-7058	OQ-270/APS-94F	6625-01-075-8478	SG-1144( )/U
		6625-01-075-8479	SG-1174/U
		5821-01-076-2245	C-10604(V)6/ARC-86



## NSN TO TYPE NUMBER CROSS REFERENCE (CONTINUED)

<u>NSN</u>	<u>TYPE NO. OR NOMENCLATURE</u>	<u>NSN</u>	<u>TYPE NO. OR NOMENCLATURE</u>
5865-01-076-3064	T-1386/TLQ-1 7A	5841-01-093-1492	RT-11 352/APN-2 15(V)1
6625-01-076-3416	AN/APM424	5841-01-093-1493	AN/APN-215(V)1
5865-01-076-4102	MD-1074/ALQ-147A(V)	6130-01-093-3077	PP-7274A/A
5865-01-076-9050	C-10026/USQ	5915-01-094-5577	F-391/TSW-7A
5840-01-077-4519	MK-1951/TKQ-2B	5895-01-094-5595	PP-7442/G
5865-01-0774936	C-10698/ALQ-147A(V)	6625-01-094-5646	AN/PRM-34
6625-01-077-5452	AN/USM41 0(/)3	6625-01-094-5646	AN/PRM-34A
5840-01-077-5723	AN/TKQ-2B	5965-01-094-6574	M-87A/AIC
5840-01-077-6286	MT-052/TKQ-28	5965-01-094-6602	H-1 34A/AIC
5865-01-077-6320	AN/ALQ-147A( 1	6625-01-095-6207	OQ-59A/APS-94D
5865-01-077-6321	AN/ALQ-147A(V)2	6625-01-095-9312	OQ-290(V)1/MSM
6625-01-077-8503	AN/URM-206	1560-01-096-1036	70600-06001-103 (Sikorsky)
5865-01-077-8775	T-1 407/ALQ-1 47A(V)	5841-01-096-8673	RT-1 1 5A/APN-209(V)
5865-01-077-8776	T-1408/ALQ-147A(V)	6625-01-097-0440	P6008
5865-01-077-8777	CY-7784/ALQ-147A(V)	4920-01-097-1120	209-075-964-5 (Bell)
4920-01-078-0271	AN/APM421	5841-01-098-4339	AN/APN-209A(V)1
6625-01-078-2490	AN/ALM-166A	6625-01-098-6764	AN/MSM-105(V)1
6615-01-079-3529	209-074-080-103 (Bell)	5865-01-098-7105	AN/ALQ-144(V)3
6625-01-079-9495	AN/USM489(V)1	5895-01-098-7378	AN/ASN-137
5826-01-080-4067	AN/ARN-123-(V)4	6140-01-099-0251	BB-601A/A
5895-01-081-9165	CY-7785/ALQ-147A(V)	6140-01-099-0253	BB434A/A
5865-01-081-9618	CY-7783/ALQ-147A(V)	5841-01-099-1796	AN/APN-209A(V)2
5840-01-082-4065	HD-1067/APS-94F	5895-01-099-6161	CV-3669/ASN-137
6625-01-083-9446	AN/URM-200	5865-01-100-0380	C-9576/ALQ
5826-01-083-9448	209-077-081-3 (Bell)	7031-01-100-0968	AN/USQ-61A
5826-01-085-3010	290-030-133-7	7035-01-100-0968	AN/USQ-61A
6625-01-085-4343	TS-2973A/APS-94D	6625-01-101-1318	OS-261B(V)1/U
5985-01-086-0057	70600-06002-105 (Sikorsky)	5975-01-101-9840	MT-6163/USQ61
6130-01-086-3412	PP-7618/A	5865-01-102-5792	C-10883/ASN-137
5821-01-086-6243	AN/ARC-186	6625-01-103-2958	TD-1225A(V) /U
5895-01-087-1729	C-1 0999/A	5915-01-104-8174	F-1429/ALQ-151
6625-01-087-1730	TS-3920/ASM	6140-01-105-6511	29150-2 (MARATHON)
5865-01-087-4729	AN/ALQ-162(V)2	5821-01-108-1443	CM-492/ARC-186(V)
5965-01-087-4729	AN/ALQ-162(V)2	5895-01-108-3711	C-1 0388/TSW-7A
5915-01-087-8319	209-077-204-1 (Bell)	5841-01-108-4158	MK-2061/APN-215
5895-01-088-1789	C-9921/TSQ-97	5895-01-109-6405	CP-1470/A
5915-01-088-6773	F-1 503/APR44(V)	5895-01-109-6411	S-1660-60036-10 (Sikorsky)
5895-01-088-9244	C-1 1038/A	5895-01-109-6413	C-10909/A
5965-01-089-7678	H-337/TSQ-97	5895-01-109-6421	MT-6227/A
6140-01-089-8134	BB-716/A	5895-01-110-1024	TR-323/A
6135-01-090-5365	BA-5567/U	5895-01-110-1042	AM-7106/A
5915-01-091-0936	F-1253A/TSW-7A	5895-01-110-1082	CN-1 564/A
5915-01-091-0937	F-1463/TSW-7A	5895-01-110-1083	CN-1 552/A
5985-01-091-9032	AT-741A/A	5895-01-110-2198	C-1 0998/A
5411-01-092-0892	S-280C/G	5895-01-110-2223	CV-3701/A
5821-01-092-4907	RT-1 354/ARC-1 86(V)	5895-01-110-2229	ID-2277/A
5895-01-092-5988	RT-1296A/APX-100	5895-01-110-2233	MT-6226/A
5895-01-092-5989	RT-1285A/APX-100	5841-01-110-6665	AN/AVR-2
5841-01-093-1005	IP-1 376/APN-21 5(V)1	5841-01-110-6666	SU-130/AVR-2
5841-01-093-1411	AS-2451/APN-215(V)1	5841-01-110-667	TS-3723/AVR-2
5895-01-093-1491	RT-1157A/APX-100	5841-01-112-7721	TS-3720/AVR-2

## NSN TO TYPE NUMBER CROSS REFERENCE (CONTINUED)

<u>NSN</u>	<u>TYPE NO. OR NOMENCLATURE</u>	<u>NSN</u>	<u>TYPE NO. OR NOMENCLATURE</u>
6140-01-114-1219	19804-014	5995-01-125-1087	CX-1 3092A/ARC-164(V)16
6140-01-114-1219	19804-14	5821-01-125-4411	MT4777/ARC-174
5841-01-114-6007	(MARATHON)	6615-01-125-6581	CN-811B/ASN
5895-01-114-9554	AN/APN-209A(V)3	5985-01-125-6780	AS-3527/A
5895-01-114-9556	J-3766/A	5985-01-126-2946	AS-3523/A
5895-01-114-9557	ID-2278/A	5975-01-127-3961	MT-3802A/ARC
5895-01-114-9564	TR-322/A	5815-01-127-5868	T-772(P)/G
6130-01-114-9690	ID-2279/A	5865-01-127-6880	AN/ALQ-136(V)1
5841-01-115-4382	PP-7723/A	5915-01-127-6930	F-1 522/A
5895-01-115-9145	CM493/AVR-2	1680-01-128-1763	70901-02002-106
5811-01-115-9146	MX-10251/USQ		(Sikorsky)
5865-01-115-9147	MX-1 0250/USQ	5821-01-128-7753	R-21 36A/ARC-164(V)16
5865-01-115-9151	AM-7121/ALQ-151		ACR-TS-24-B
5865-01-115-9152	PP-7292AIUSQ	6625-01-128-8588	CP-1516/ASQ
5865-01-115-9153	PP-7293A/USQ	5895-01-129-1314	PP-6187/TSW-7
5895-01-115-9154	PP-7294A/USQ	6130-01-129-5494	70600-01019-104
5985-01-115-9794	C-1 1002/USQ	5985-01-129-7463	(Sikorsky)
5985-01-115-9795	AS-3352/ARC		AN/ALQ-151(V)2
5985-01-115-9796	AS-3350/ARC	5865-01-132-1303	C-1 124/ALQ-151(V)
5985-01-118-2297	AS-3351/ARC	5865-01-132-1305	ID-2302/ALQ-151(V)
5985-01-118-2371	AS-3381/ARQ-33	5865-01-132-1306	ID-2300/ALQ-151
5915-01-118-7575	CU-2245/ARQ-33	5865-01-132-1308	ID-2301/U
5985-01-119-2741	F-1515/ALQ-151	5865-01-132-1309	TD-1 354/ALQ-1 51
5826-01-1194010	CU-2284/A	7035-01-132-1310	SG-1171/U
6625-01-119-4811	ID-1351E/A	6625-01-133-6160	C-10414/ARC
5826-01-119-7141	TS-3941/APN-209	5895-01-133-6600	AS-3526/A
7021-01-119-7180	209-077-081-5 (Bell)	5985-01-134-0110	BB432B/A
6625-01-119-7271	CP-1446/A	6140-01-134-2277	S65-8282-30
6625-01-119-7314	AN/URM-145C	5985-01-134-2291	AS-3149/ALQ-1 56(V)
6615-01-119-9261	OS-261 C(V)1/U	5895-01-134-3161	C-10131/ALQ-156(V)
5990-01-120-3047	209-074-084-1 (Bell)	7025-01-134-3338	AN/UYH-1
6625-01-120-3501	AM-7105/A	5841-01-134-3346	AN/APN-215(V)3
5855-01-120-7831	SG-1 170/U	5855-01-134-7146	TS-3895/AVS-6
6625-01-120-7832	AN/MAAQ-1 1	7035-01-134-7148	AN/UYK-19A
6625-01-120-7833	TD-1338(V)1/USM	7025-01-134-8438	4150 (Honeywell)
6625-01-121-6934	TS-3947( )/AR	5865-01-134-8602	CU-2293/ALQ-151(V)
5865-01-121-8882	TD-1225(V)2/U	5865-01-134-8603	RE-11 36/ALQ-1 51
	RT-1149(V)1/ALQ-136	6110-01-134-8604	J-3986/ALQ-151(V)
	(V)	6610-01-135-2149	ID-2104A/A
5865-01-121-8983	TS-3614/ALQ-136	5975-01-135-3734	145E3118-6 (Boeing)
5865-01-121-8984	TS-3615/ALQ-136	6130-01-135-5065	145ES014-1 (Boeing)
5841-01-122-7094	AN/ARC-164(V)16	6130-01-135-5065	PP-7798/A
5821-01-122-7094	RT-1288A/ARC-164(V)	6605-01-135-6328	C-1 1097/ASN-1 32(V)
	16	6625-01-135-7210	SG-1 205/U
5821-01-123-1600	AM-6798/ARC-174	5821-01-136-5467	RT-1145C/ARC-164
6625-01-123-8098	AN/URM-1 20B	5841-01-136-5832	RT-1220/ALQ-156)
6625-01-124-0834	AN/GSM-64C	5821-01-137-1036	RT-1182/ARC-174
5985-01-124-1538	AS-3528/A	1560-01-137-3519	70400-06712-042
5985-01-124-7297	AS-3522/A		(Sikorsky)
5985-01-124-7298	AS-3524/A	5821-01-137-6660	RT-1167B/ARC-164
5985-01-124-7299	AS-3525/A	5841-01-137-8445	ID-1917A/APN-209(V)
5864-01-125-0297	AS-3007/ALQ-136	6625-01-138-3351	AN/USM490
6680-01-125-0325	TR-326/A	6615-01-138-3395	C-10909A/A

## NSN TO TYPE NUMBER CROSS REFERENCE (CONTINUED)

<u>NSN</u>	<u>TYPE NO. OR NOMENCLATURE</u>	<u>NSN</u>	<u>TYPE NO. OR NOMENCLATURE</u>
6615-01-138-3397	AM-7106A/A	5895-01-168-2938	C-1 0414(V)2/ARC
5855-01-138-4748	AN/AVS6(V)2	6625-01-168-2941	TS-617D/U
5855-01-1384749	AN/AVS-6(V)1	5895-01-168-7154	C-10414(V)3/ARC
6625-01-139-2572	ANIPSM45()	6625-01-169-5333	TS-3920A/ASN
5895-01-139-3579	C-10009/APX-100	1260-01-169-8775	8500233-901
5841-01-140-0941	RT-1115B/APN-209(V)	1260-01-170-4056	8500056
5841-01-140-1700	RT-1411/APN-209A(V)	6130-01-171-9161	406-075-807-101
6615-01-140-8045	114E2186-33 (Boeing)	5821-01-172-2879	C-11245/U
5860-01-141-3900	MT4698/AAS-32	5821-01-172-2880	AM-7201/U
5841-01-141-8656	AN/APN-209B(V)1	5821-01-172-2924	RT-1432/U
5821-01-142-3058	C-I 1188/ARC	5895-01-177-0790	AN/TSQ-129
5826-01-142-3059	CV-3739/ASN-132	5985-01-177-0800	CU-2305/ARC-199
6625-01-142-3433	TS-3609( )/ALQ-156	5895-01-177-6015	AN/TSQ-1 50(V)4
5895-01-143-4194	AN/ASC-15()0	6140-01-186-8802	406-075-806-101
5821-01-143-8293	AS-3594/ARC	5821-01-186-8803	406-077-802-101
6625-01-144-4481	AN/GRM-1 14A	5821-01-186-8804	406-077-801-101
6625-01-145-2430	ANIUSM486	6130-01-186-8815	406-075-802101
5821-01-145-5102	AM-7189/ARC	5865-01-186-9128	AN/ALQ-136(V)4
5865-01-145-5197	AN/ALQ-156(V)1	5865-01-186-9130	AN/ALQ-1 36(V)5
5985-01-145-5431	CU-2239/ARC	6615-01-187-0548	CN-1314B/A
5841-01-145-9991	AN/APN-209B(V)3	5821-01-187-7803	406-077-805-101
5841-01-147-1064	AN/APN-209BM2	6625-01-187-7847	AN/USM488
5821-01-147-4630	RT-1167C/ARC-164	5865-01-188-3408	C-11080/ALQ-162(V)
5821-01-150-5392	AS-3595/ARC	6625-01-188-7441	SG-1219/U
5855-01-151-4216	5003230	6625-01-188-7470	J4247/AR
5855-01-151-4217	5003246	5865-01-189-1016	AS-3554/ALQ-162(V)
5985-01-154-7327	206-077-109-1 (Bell)	6625-01-189-7882	MK-994A/AR
5895-01-155-8315	ID-2277A/A	6615-01-189-7976	CN-1314C/A
6605-01-155-8326	ID-2278A/A	5865-01-191-7249	RT-1 149(V)2/ALQ-1 36(V)
5865-01-156-0437	AS-3650/ALQ-1 56(V)	6615-01-194-1909	CN-1314A/A
5865-01-156-0454	RT-1220BIALQ-156	5985-01-197-9237	406-077-109-101
5826-01-156-0455	RT-122A/ALQ-1 56	5985-01-197-9347	406-077-817-101
5841-01-156-0457	AN/APN-209B(V)4	5915-01-198-3921	406-077-822-101
5865-01-156-0459	ANIALQ-156(V)3	5895-01-205-6103	AN/ARC-182
5865-01-156-0460	AN/ALQ-1 56(V)2	5821-01-208-1093	RT-1300B/ARC-186
6615-01-157-6272	CN-811C/ASN	5821-01-208-1095	RT-1354/ARC-186
5999-01-1594862	MX-10374/UYK-19A	5821-01-210-3415	RT-1145F/ARC-164
6605-01-160-4442	ID-2103A/A	6140-01-211-9906	BB-559/A
6625-01-161-1459	ME-525/A	5821-01-213-3980	RT-1300/ARC-186
6625-01-161-1461	ME-526/A	5841-01-215-6409	RT-1471/APX
6605-01-161-3919	AN/ASN-143	5841-01-216-9468	AN/APN-2098(V)5
6140-01-162-5234	29230-003	5821-01-229-1220	RT-1476/ARC-201(V)
5985-01-162-6084	AS-3649/ALQ-1 56(V)	5821-01-231-5591	RT-1477/ARC-201(V)
5965-01-164-0561	MK-1 564/AIC	5821-01-231-5592	RT-1478/ARC-201(V)
1260-01-165-6369	8001671-901	5841-01-236-8951	AN/APR-39A(V)1
1260-01-166-5577	8500088-901	5841-01-245-9108	AN/APN-209D(V)5
5826-01-166-7853	AM-7106B/A	5826-01-251-2708	AN/ARN-148
7035-01-166-7857	AN/UYK-64(V)2	5841-01-256-9395	AN/USD-9
5895-01-167-8206	C-10414(V)1/ARC	5826-01-27714802	AN/ASQ-177(V)3
5821-01-167-8296	AN/ARC-1 99	5826-01-27724803	AN/ASQ-177(V)2
6625-01-168-1187	AN/URM-209	5826-01-279-5451	AN/ASQ-177(V)1

## NSN TO TYPE NUMBER CROSS REFERENCE (CONTINUED)

NSNTYPE NO. OR  
NOMENCLATURE

5826-01-286-6561	AN/ASQ-177(V)4
6625-01-301-6894	TS-3895A/UV
6625-01-323-9584	TS4348/UV
5985-01-333-0761	GM-6(V)2
5855-01-350-0349	AN/AVS-7
5855-01-389-6623	GM-6(V)1
5895-01-887-3971	AN/ASC-15BV)1
6130-02-041-3490	PP-7286
5841-21-880-3591	MT-5203/APS-505

C-21/(C-22 blank)

## APPENDIX D

## AIRCRAFT AVIONICS INSTALLATION CROSS REFERENCE

This appendix lists avionics equipment by type number and nomenclature cross referenced to the aircraft in which it is or could be installed. A ( ) following the aircraft type indicates all models of that type Refer to the aircraft configuration sheets for specific applicability information

TYPE	NOMENCLATURE	AIRCRAFT
0045-101-5110	Control	U-21A
0046-101-5109	Receiver-Transmitter	U-21A
114E2186-( )	Speed Trim Amplifier	CH47D
114E3030-( )	SAS Amplifier	CH47D
114E3094-( )	HF Antenna	CH47D
134AV25508-1	MB Antenna	OV-1D
134AV25518-1	Sense Antenna	OV-1D
134AV35003-1	GS Antenna	OV-1D
134AV45511 -1	HF Antenna	OV-1D
134CS30103-1	VOR Antenna	OV-1D
134F80332-1	Mount	OV-1D
134SCAV247	FM Communications Antenna	OV-1D
137X-1	VOR Antenna	CH-47D
145E3118-( )	Interphone Junction Box	CH47D
1908-01	Lightning Arrester	OV-1D
204-075-328-1	ADF Sense Antenna	UH-1
205-075-325-1	ADF Sense Antenna	UH-1
205-075-381-1	UHF High Pass Filter	OH-58D
205-075-382-1	VHF Band Pass Filter	OH-58D
205-706-027-1	HF Antenna	UH-1
206-032-310-3	ADF Sense Antenna Assembly	OH-58
206-075-483-1	Impedance Matching Network	OH-58
206-075-518-1	VHF Antenna	OH-58
206-075-716-1	Course Indicator	OH-58
206-077-109-1	Antenna	OH-58
209-030-133-7	Sense Antenna	AH-1( ), UH60A/EH-60A
209-074-070-3	Control Panel	AH-1
209-074-080-103	Sensor Amplifier	AH-1
209-074-084-1	Control Panel	AH-1
209-074-092-1	Armament Compensator	AH-1
209-0774-81-3	HSI Display Control Panel	AH-1
209-077-081-5	HSI Display Control Panel	AH-1
209-077-202-3	FM Communications Antenna Assembly	AH-1
209-077-204-1	ICS Filter	AH-( ), UH-0AIEH60A
21-036312-01A	Blade Antenna	OV-ID
311 7LB--3C	Radio Magnetic Indicator	UV-18
329B-9A	Horizon Reference Indicator	RC-12
329T-1	Pilots Turn and Slip Indicator	RC-12, UV-18
331-6P	CO-pilot's Horizontal Situation Indicator	RC-12
331A-8G	Pilot's Horizontal Situation Indicator	RC-12
332C-10	Radio Magnetic Indicator	RC-12
339D-1	Distance Indicator	U-21A
405-077-802-101	Transducer	OH-58D

## AIRCRAFT AVIONICS INSTALLATION CROSS REFERENCE (Cont'd)

TYPE	NOMENCLATURE	AIRCRAFT
406-074-015101	Power Supply	OH-58D
406-075-802-101	Static Inverter	OH-58D
406-075-807-101	Battery Charger	OH-58D
406-077-109-101	HF Antenna	OH-58D
406-077-801-101	Audio Distribution Unit	OH-58D
406-077-805-101	FM Antenna Coupler	OH-58D
406-077-817-101	FM Communications/Homing Antenna	OH-58D
406-077-822-101	VHF/FM Bandpass Filter	OH-58D
406-377-003-001	Video Tape Recorder	OH-58D
406-577-010-101	VHF AM/Hi FM Communications Antenna	OH-58D
406-947-307	Control Display System	OH-58, OH-58D
499-0099	Audio Control Panel	RC-12
50-345615-01	HF Antenna	U-21A
50-34576-1	Main Inverter	U-21A
50-345764-2	Standby Inverter	U-21A
50-345764-5	Main Inverter	U-21A
50-345764-6	Standby Inverter	U-21A
50-345772	Mount	U-21A
50-345812	ADF Sense Antenna	U-21A
50-346063	HF Antenna	U-21A
500ED	Attitude Indicator	W-18
50345974	Radio Magnetic Indicator	U-21A
550512	Speed Bias Assembly	OV-1D
56B3C	Temperature Sensor	OH-58D
570-074-010-11	Sensor Amplifier	AH-1
570-074-060-1	Control Panel	AH-1
570-074-131-3	Pylon Compensator	AH-1
570-074-315-3	Rate Gyro Sensor	AH-1
614E-42A	Auto-Pilot Mode Selector Panel	RC-12
7-211D10007-13	Gyro Assembly Pitch Rate	AH-4A
7-211D10007-15	Gyro Assembly Pitch Rate	AH-64A
7-211 D1 0007-17	Gyro Assembly Pitch Rate	AH-4A
7-311122630	AM/FM Antenna	AH-4A
7-311C10025	Video Display Unit Assembly	AH-64A
7-311C10025-5	Video Display Unit Assembly	AH44A
7-311C10025-7	Video Display Unit Assembly	AH-64A
7-311G00014	Sense Antenna	AH-4A
7-313200030	Lower IFF/UHF Antenna	AH-64A/D
7-313200031	Antenna Wide Band	AH-64A/D
7-313200070-3	Audio Junction Unit	AH-64A
7-313200070-7	Audio Junction Unit	AH4A
7-319510400	Video Recorder Panel Assembly	AH-4A
7-319510400-3	Video Record Panel Assembly	AH-4A
7-319510400-5	Video Record Panel Assembly	AH44A
7-319800002-3	Symbol Generator	AH-64A
7-319800002-7	Symbol Generator	AH-64A
7-511 B 1111 6-1	Battery Charger	AH-4D

## AIRCRAFT AVIONICS INSTALLATION CROSS REFERENCE (Cont'd)

TYPE	NOMENCLATURE	AIRCRAFT
7-511B12020-33	Indicating Light Panel	AH-64D
7-513200001-5	Control Panel Communications	AH-64D
7-513200003-13	Support Plate Assembly	AH-64D
7-513200004-9	Component Plate	AH-64D
7-513200010-1	Interface Unit Communications	AH64D
7-513200011-1	CPG/Pilot Emergency IFF/Guard Zeroize Panel	AH-64D
7-514200034-1	Inertial Navigation System	AH-64D
70400-06712-042	Stabilator Position Sensor	UH-60AEH-60A
70600-01010-104	FM Antenna Coupler	UH40A/EH-60A
70600-01011-113	FM Low Pass Filter	UH60A/EH-60A
70600-01019-104	FM/AM/ADF Antenna	UH60A/EH-60A
70600-06001-103	Antenna	UH-60A/EH60A
70600-06002-105	FM Communications Antenna	UH-60A/EH-60A
70901-02002-106	Stick Position Sensor	UH-60AEH-60A
709410	Battery Charger	AH-64A
709410-1	Battery Charger	AH-64A
718U-5	Radio Set	RC-12, UV-18
7564978-021	INS Control Display Unit	RC-12
7883470-011	Mode Selector Unit	RC-12
8001671-901	Indicator Assembly	OH-58D
801000152	Mount	U-21A
8500056	Key Board Assembly	OH-58D
8500088-901	Master Controller Processor Unit	OH-58D
8500233-901	Remote Frequency Display	OH-58D
91-340045-1	HF Antenna	U-21A
A-2	Amplifier	UH-1
AAU-31/A	Altimeter	UH-60A/EH-60A
AAU-32/A	Encoding Altimeter	UH-60A/EH-60A
ADF-60	Automatic Direction Finder	RC-12
AL-800	Altitude Select Controller	RC-12
ALT-50	Radar Altimeter Set	UV-18
AM-2853/ASN	Amplifier	OV-1D
AM-291/APN-22	Electronic Control Amplifier	OV-1D
AM-3209/ASN	Servoamplifier	AH-1(), U-21A, UH-1
AM-3624/ARA-50	Amplifier	U-21A
AM-4464/AAS-14A	Preamplifier	OV-1D
AM-4859( )/ARN-89	Amplifier	OH-58, OV-1D
AM4859A/ARN-89	Amplifier	AH-1(), AH-64A, CH-47D, UH-
AM-4862/ASN-76	Electronic Control Amplifier	OV-1 D
AM-6639/ALR46(V)	Amplifier-Detector	OV-1 D
AM-7104/A	Electronic Control (Stabilator)	UH-60A/EH-60A
AM-7105( )/A	Synchro Signal (SAS) Amplifier	UH-60A/EH-60A
AM-7106( )/A	Control Amplifier	UH60AEH-60A
AM-7189/ARC	Amplifier	UH-60A/EH-60A
AM-7189A/ARC-201	Amplifier	AH-64D, OH-58D
AM-7201/U	Amplifier-Coupler	OH-58D, UH-60A/EH60A

## AIRCRAFT AVIONICS INSTALLATION CROSS REFERENCE (Cont'd)

TYPE	NOMENCLATURE	AIRCRAFT
AN/AAS-24	Infrared Detecting Set	OV-1D
AN/AAS-32	Airborne Laser Tracker Set	AH-1
AN/ADR-6(V)	Aerial Radiac Set	OV-1D
AN/AJA-5	Propeller Synchrophaser Set	OV-1D
AN/AKT-18	Radar Data Transmitting Set	OV-1D
AN/AKT-18A	Radar Data Transmitting Set	OV-1D
AN/AKT-18B	Radar Data Transmitting Set	OV-1D
AN/ALQ-133	Countermeasures Receiving Set	OV-1D
AN/ALQ-136(/)	Countermeasures Set	AH-64D
AN/ALQ-136(V)1	Countermeasures Set	AH-1
AN/ALQ-136(V)5	Countermeasures Set	AH-64A
AN/ALQ-144	Countermeasures Set	AH-64D
AN/ALQ-144(V)1	Countermeasures Set	UH-60A/EH-60A
AN/ALQ-144(V)3	Countermeasures Set	AH-1, AH-64A
AN/ALQ-147A(V)1	Countermeasures Set	OV-1D
AN/ALQ-147A(V)2	Countermeasures Set	OV-1D
AN/ALQ-156(V)1	Missile Approach Detectors	CH-47D
AN/ALR-46(V)	Radar Signal Detecting Set	OV-1D
AN/APN-158( )	Weather Radar Set	U-21A
AN/APN-168( )	Radar Navigation Set	OV-1 D
AN/APN-171A(V)	Radar Altimeter Set	OV-1 D
ANIAPN-209	Radar Altimeter Set	AH-64D, UH-1
AN/APN-209( ) (V)1	Radar Altimeter Set	AH-1, OH-58
AN/APN-209( ) (V)2	Radar Altimeter Set	UH-60AEH-60A
AN/APN-209(B) (V)2	Radar Altimeter Set	CH-47D
ANIAPN-209B(V)3	Radar Altimeter Set	OH-58, OH-58D
AN/APN-209B(V)4	Radar Altimeter Set	AH-64A
AN/APN-215	Weather Radar Set	RC-12
AN/APN-215(V)1	Weather Radar Set	U-21A
AN/APN-22	Radar Altimeter Set	OV-1 D
AN/APR-39(V)	Radar Detecting Set	AH-64D, OH-58D
AN/APR-39(V)()	Radar Detecting Set	OV-1D
ANIAPR-39(V)1	Radar Detecting Set	AH-1, AH-64A, CH47D, U-21A, UH-1, UH-OA/EH-OA
AN/APR-39(V)2	Radar Detecting Set	UH-60A/EH40A
AN/APRA44(V)1	Radar Warning System	UH-60AEH-60A
AN/APR-44(V)3	Radar Warning System	OV-1D, U-21A
AN/APS-94D/E/F	Radar Surveillance Set	OV-1 D
AN/APX-72	Transponder Set	AH-1, OH-58, OV-1 D, U-21A,
AN/APX-100	Transponder Set	AH-1, AH-64A/D, RC- 12, UH- U-21A
AN/ARA-50	UHF Direction Finder Set	CH47D, OV-1D, U- 21/UTE,
AN/ARC-102	HF Radio Set	AH-1, OH-58, OV-1D, UH-1,
AN/ARC-114( )	VHF/FM Radio Set	AH-1, OH-58, OV-1D, UH-1,
AN/ARC-115( )	VHF/AM Radio Set	AH-1, OH-58, OV-1D, UH-1



## AIRCRAFT AVIONICS INSTALLATION CROSS REFERENCE (Cont'd)

TYPE	NOMENCLATURE	AIRCRAFT
AN/ARC-115AM()1 AN/ARC-116( ) AN/ARC-131	VHF/AM Radio Set UHF/AM Radio Set VHF/FM Radio Set	UH-60A/EH-60A AH-1, OH-58 AH-1, OV-1D, U-21A, UH-1
AN/ARC-134	VHF/AM Radio Set	AH-1, OV-1D, U-21A, UH-2
AN/ARC-164	UHF/AM Radio Set	AH-1, AH-64AD, RC- 12, UH-
AN/ARC-164(V)12 AN/ARC-186 UH60AIEH- AN/ARC-199 60A	UHF/AM Radio Set VHF/AM/FM Radio Set HF NOE Radio Set	OV-1D AH-64AID, RC-12, OH-58D, UH-60AIEH-
AN/ARC-201() 60AIEH- AN/ARC-201A(V) AN/ARC-51BX	IFM SINCGARS Radio System IFM SINCGARS Radio System UHF/AM Radio Set	AH-64D, RC-12, UH- OH-58D AH-1, OH-58, OV-1D, U-21A, AH-1, OV-1D, U-21A, UH-2
AN/ARC-54	VHF/FM Radio Set	UH-1 U-21A U-21A OV-i D OH-58 CH47D, UV-18 AH-1, UH-1 UH-60A/EH-60A UH-1 RC-12 RC-12 OV-1D, UH-1 UH-1 OV-1D OV-1D, UH-1 AH-1, OV-1D, U-21A, UH-1 OH-58, OV-1D AH-1, AH-64A,
AN/ARC-73A AN/ARN-102 AN/ARN-103(V) AN/ARN-103(V)1 AN/ARN-123(V) AN/ARN-123(V)1 AN/ARN-123(V)3 ANIARN-123(V)4 AN/ARN-124 AN/ARN-136(V) AN/ARN-137(V) AN/ARN-30E AN/ARN-50 AN/ARN-59 AN/ARN-82( ) AN/ARN-83	VHF/AM Radio Set Navigation Set (TACAN) Navigation Set (TACAN) Navigation Set (TACAN) Receiving Set Receiving Set (VORIMB/GS) Receiving Set (VOR/MG/GS) Receiving Set DME Set Inertial Navigation System Avionics TACAN System Receiving Set (VOR) Direction Finder Set Direction Finder Set Receiving Set (VOR) Direction Finder Set	
AN/ARN-89() AN/ARN-89B UH60A/EH-60A ANIART-41A AN/ASC-15 AN/ASN-128	Direction Finder Set Direction Finder Set Transmitter Communications Console Doppler Navigation Set	
AN/ASN-137 AN/ASN-143 AN/ASN-143(V)3 AN/ASN-1 57 AN/ASN-33 AN/ASN-43	Doppler Navigation Set Heading Altitude Reference System Heading Altitude Reference System Doppler Navigation System Navigation Computer Set Gyro Compass Set	OV-1D UH00A/EH-60A AH-1, AH-64A, CH- 47D, UH- AH-64A, OH-58, OH-58D AH-64A OH-58D AH-64D OV-i D AH-, CH-47D, OH-58, OH- 58D, U-21A, UH-1, UH-60AIEH- 60A OV-1D OV-1D
AN/ASN-64 AN/ASN-76	Doppler Navigation Set Attitude Heading Reference Set	

## AIRCRAFT AVIONICS INSTALLATION CROSS REFERENCE (Cont'd)

TYPE	NOMENCLATURE	AIRCRAFT
AN/ASN-86 AN/ASW-12(V)2 AN/AVR-2 AN/AYA-1 0 AN/AYA-3 AN/USA-23 AN/USQ-61 AN/USQ-61A AP-106 AS-1048/APS-94 AS-1108/ARC AS-1304/ARN AS-1520( )/APN-158 AS-1 703/ARC AS-1766/( )/ASN-168 AS-1 858/APN-171(V) AS-18631ARN-83 AS-1 863/ARN-83 AS-1869/ARN AS-1922/ARC AS-1 922/ARC AS-2042/ARC AS-2108( )/ARN89 AS-2108A/ARN-89	Inertial Navigation Set Automatic Flight Control System Laser Detecting Set Data Annotation System Doppler Computer Group Recorder Group Digital Data Set Digital Data Set Automatic Flight Control System Antenna Assembly FM Communication Antenna VOR Antenna Antenna FM Communications Antenna Antenna Antenna Loop Antenna Loop Antenna ADF Sense Antenna FM Homing Antenna FM Homing Antenna FM Homing Antenna Loop Antenna Loop Antenna	OV-1D, U-21A OV-1D UH-60AIEH-0A OV-1D OV- D OV-1D OV-ID OV-1D RC-12, UV-18 OV-1D AH-1 AH-1, OH-58, UH-1 U-21A OV-1D, U-21A, UH-1 OV-1D OV-1D AH-1 OV-1D, U-21A, UH-1 CH-47D CH-47D U-21A OV-1 D OH-58, OV-D AH-1, AH-64A, CH-47D, UH-
AS-1 99/APS-94D AS-2285/ARC AS-2486/ARC AS-2487/ARC AS-2595/APN-1 94(V)	Antenna FM Communications Antenna FM Homing Antenna UHF Antenna Antenna CH47D, OH-58,	OV-I D U-21A, OH-58 OH-58 OH-58, OH-58D AH-1, AH-64A,
AS-2670/ARC AS-2890/APR-39(V)	FM Homing Antenna Blade Antenna	OH-58 AH-1, AH-64A/D, CH47D, OH-58, OH-58D, OV-1D, U-21A, UH-1, UH-60AIEH-60A
AS-28911APR-39(V) 47D, OH-	Right Spiral Antenna	AH-1, AH-64A/D, CH-
AS-2891/APR-39(V)2 AS-2892/APR-39(V)	Antenna, Radar Warning Spiral (CW) Left Spiral Antenna	UH-1, UH60A/EH-60A AH-64D AH-1, AH-4A, CH-47D, OH-58, OH-58D, OV-1D, U-21A, UH-1, UH-60A/EH-60A OV-1D AH-1 CH-47D AH-1, OH-58, UH-1 AH-1 AH-1
AS-2994/ALQ-133 AS-3007/ALQ-1 36 AS-3149/ALQ-1 56(V) AS-3188/ARN AS-3204/ARC AS-3205/ARC	Spiral Antenna Antenna Antenna GS Antenna VHF Antenna FM Homing Antenna	AH-1, OH-58, UH-1 AH-1 AH-1

## AIRCRAFT AVIONICS INSTALLATION CROSS REFERENCE (Cont'd)

TYPE	NOMENCLATURE	AIRCRAFT
AS-3266/APR-44(V) 60A/EH-60A	Antenna	OV-1D, U-21A, UH-
AS-3322/APS-94F	Antenna	OV-1D
AS-3350/ARC	FM Homing Antenna (Right)	UH-1
AS-3351/ARC	FM Homing Antenna (Left)	UH-1
AS-3451/APN-21 5(V)	Antenna	U-21A
AS-3522/A	FM Homing Antenna (Left)	UH40A/EH-60A
AS-3523/A	FM Homing Antenna (Right)	UH60A/EH-60A
AS-3524/A	UHF Antenna	UH-60A/EH-60A
AS-3525/A	MB Antenna	UH-60A/EH60A
AS-3526/A	VOR Antenna	UH60A/EH60A
AS-3527/A	GS Antenna	UH-60A/EH-60A
AS-3528/A	IFF Antenna	UH-60A/EH60A
AS-3586/APN-209A(V)	Antenna	OH-58D
AS-3710	Antenna Receiving Radome Assembly	AH64A/D
AS-3711	Antenna Transmitting Radome Assembly	AH64A/D
AS-3831 /APN-209	Antenna	AH-64A/D
AS-3833/ARN-149	ADF Antenna	AH-64D
AS-3933/ARN-149	Antenna	AH44A
AS-3939/ARC	VHF/FM Antenna	AH44D
AS4278/ARC	VHF/FM Antenna	AH-64A/D
AS-580A/ARN	VOR/GS Antenna	U-21A
AS-909/ARA48	Loop Antenna	U-21A
ASB-110	Radio Set	UV-18
ASN-149(B)-3	NIA	RC-12
AST-1503A	Spiral Antenna	OV-1D
AT-1108/ARC	VHF/UHF Antenna	AH-1, OV-1D, U-21A, UH-1
AT-134A/ARN	MB Antenna	OV-1D
AT-256( )/ARC	UHF Antenna	CH47D
AT-256/ARC	Data Antenna	OV-1 D
AT-256A/ARC	UHF Antenna	AH-I
AT-326/ARN	GS Antenna	CH47D, OV-1D
AT-450/ARC	Data Antenna	OV-1D
AT440( )/ARN	MB Antenna	AH-1, CH47D, OH-58, U-21A
AT-740/A	Antenna	CH47D
AT-741( )/A	Upper IFF Antenna	AH-64AID, OH-58, OH- 58D,
AT-741 B/A	Upper IFF Antenna	AH-1
AT-780/ARN	Loop Antenna	OV-1D, UH-1
AT-884( )/APX	Antenna	AH-1, CH47D, OH-58, U-21A,
AV434-2	Upper IFF Antenna	AH-64AID
AWIUYK-23	Computer	OV-ID
BA-141	Pilot's Altimeter Indicator	RC-12
BB432B/A	Battery	CH-47D
BB433( )/A	Battery	OV-ID, U-21A, UH-1
BB476/A	Battery	OH-58
BB-507/U	Battery	OV-1 D
BB-558/A	Battery	OH-58D

## AIRCRAFT AVIONICS INSTALLATION CROSS REFERENCE (Cont'd)

TYPE	NOMENCLATURE	AIRCRAFT
BB-676/A	Battery	OH-58
BB-708/U	Battery	OV-1D
BB-716/A	Battery	UH-60A/EH-60A
BPF40-03P	VHF Band Pass Filter	AH-1, CH47D, OH-58D UH-60AIEH-60A, UV-18
C-10048/ARN-123(V)	Control	AH-1, CH-47D, OH-58, UH-1, CH47D
C-101 31/ALQ-156(V)	Control-indicator	AH-1, UH60A/EH-60A
C-10280( )/ALQ-144	Operator's Control Unit	OV-1D, U-21A
C-10387/APR44(V)	Control	UH-60A/EH-60A
C-10387/APR-44(V)	Control	OV-1D
C-10412/APR-39(V)	Control	UH-60A/EH-60A
C-10412A/APR-39(V)2	Control	AH-64A, OH-58D
C-10414(V)3/ARC	Control Unit Communications	AH64A
C-10414/ARC	Control Unit Communications	AH-1
C-10533/APX-1 00	Control	OV-1 D
C-10546/AKT-18B	Control	OV- D
C-10547/ARC-i 64(V)	Control	UH-60A/EH-60A
C-1 0604(V)6/ARC-1 86	Control	OV-1D
C-10698/ALQ-147A(V)	Control Unit	UH-60A/EH60A
C-10909( )/A	Flight Control Panel	UH-60A/EH-60A
C-10998/A	HSINSI Mode Select Panel	UH-60A/EH-60A
C-10999/A	CSI Mode Select Panel	UH-60A/EH-60A
C-11038/A	Retransmission Control	UH-60A/EH-60A
C-11265	Control Panel	RC-12
C-11466/ARC-201	Control	UH-60A/EH-60A
C-11746(V)4/ARC	Control Unit Communications	AH-64A
C-12192/ARN-149(V)	Control	AH-64A
C-14A	Compass System	UV-18
C-1611( )/AIC	Intercom Control	AH-1, OV-1D, U-21A, UH-1
C-2275/ARN	Control	OV-1D, UH-1
C-2996/APS-24	Radar Set Control	OV-1 D
C-2997/APS-94	Recorder Control	OV-1 D
C-3106( )IASW-12(V)	Auto Pilot Attitude Control	OV-1D
C-3107( )/ASW-12(V)	Auto Pilot Flight Controller	OV-1D
C-3108( )IASW-12(V)	Attitude Reference Control	OV-1D
C-3436/ARN-30E	Control	OV-ID
C-3436A/ARN-30E	Control	UH-1
C-3835/ARC-54	Control	AH-i, OV-1D, U-21A, UH-1
C-3940/ARC-94	Control	CH47D, OV-1D, U-21A, UH-1
C4074/ARC-73A	Control	UH-1
C-4209/ARC	Control	UH-1
C4881/APN-158	Control	U-21A
C-499	Audio Control Panel	RC-12
C-6280A(P)/APX	Control	AH-1, OH-58, U-21A, UH-1, UV-18
C-6287/ARC-51 BX	Control	AH-1, OH-58, OV-1D, U- 21A,UH-1,UV-19
C-6347/ASN	Compass Control	AH-1, OH-58D

## AIRCRAFT AVIONICS INSTALLATION CROSS REFERENCE (Cont'd)

TYPE	NOMENCLATURE	AIRCRAFT
C-6533/ARC	Intercom Control	AH-1, CH-47D, OH-58, OV-1 D, UH-1, UH-60A/EH-60A, UV-18
C-586( )/AYA-3	Control Indicator	OV-1 D
C-6598/AR	Control	OV-1D
C-6822/AAS-14A	Control	OV-1 D
C-6873B/ARN-82	Control	OV-1D, UH-1
C-6899/ARN-83	Control	AH-1, OV-1D, U-21A, UH-1
C-7088/ARC-1 31	Control	AH-1, OV-1D, U-21A, UH-1
C-71 97/ARC-1 34	Control	AH-1, OV-1D, U-21A, UH-2
C-7392/ARN-89	Control	AH-64A, OH-58, OV-1D
C-7392A/ARN-89	Control	AH-1, AH-64A, CH-47D, UH-
C-7645/APS-94D	Radar Set Control	OV-1D
C-7645/APS-94F	Radar Set Control	OV-1D
C-8021/ASN-75	Compass Control	UH-60A/EH-60A
C-8021A/ASN-75	Compass Control	CH47D
C-8099/ASN-76	Controller	OV-1D
C-8157/ARC	Control-Indicator	AH-1, CH47D, OV-1D, UH-1,
C-8163/ADR6	Control/Alarm Panel	OV-1D
C-8180/AAS-24	Indicator Control	OV-1D
C-8181/AAS-24	Built In Test Control	OV-1D
C-8182/AAS-24	Receiver Control ,	OV-1D
C-8183/AAS-24	Velocity One Height Control	OV-1D
C-8338/AYA-10	Control-Monitor	OV-ID
C-8340/A	Altitude-Speed Ratio Control	OV-1 D
C-854/ADR-6	Computer/Power Supply	OV-1 D
C-8968/ARN-103(V)	Control	OV-D, U-21 A
C-9325/APR-39(V)	Control	U-21A
C-9326/APR-39(V)	Control	AH-1, AH64A, CH-47D, OH-58, OH-58D, OV-1D, UH-1, UH-
C-9536/ALQ-133	Power Supply Control	60A/EH-60A, UV-18
C-9537/ALQ-133	Monitor Controller	OV-1D
C-9538/ALQ-133	Control-indicator	OV-1D
C-9576/ALQ-144	Operators Control Unit	AH-1, AH-4A
C-9609/A	Voltage Controller	OV-1D
C-9641/AAS-32	Control	AH-1
C-9963/AKT-18A	Control	OV-1D
C-IV-E	Mode Selector Unit	RC-12
C6SC-1634-29	Airspeed Indicator	UV-18
CM-145( )/APS-94	Signal	OV-1D
CM-374/APS-94D	Radar Signal Processor	OV-1D
CM-40/APR-39(V)	Comparator	AH-1, AH-64A, CH47D, OH-58, OH-58D, OV-1D, U-21A, UH-1,
CM-442/ALR46(V)	Signal Processor	UH-60A/EH-60A
CM446/ALQ-133	Phase Comparator	OV-1D
		OV-1D

## AIRCRAFT AVIONICS INSTALLATION CROSS REFERENCE (Cont'd)

TYPE	NOMENCLATURE	AIRCRAFT
CM-447/ALQ-133	Signal Comparator	OV-1D
CM-480/APR-39(V)	Comparator	OV-1D
CM-481/APS-94F	Signal Processor	OV-1D
CM-482/ARC-186	FM Homing Unit	UH-60A/EH-0A
CM-492/ARC-186(V)	FM Homing Unit	CH47D
CM-492/ARC-186(V)	FM Homing Unit	OH-58D
CM-493/AVR-2	Comparator Interface Unit	AH-64D, UH-60AEH-60A
CN-1072/AJN	Compensator	OV-1 D, UH-60A/EH-60A
CN-1151/ASN-76	Displacement Gyro	OV-1D
CN-1314/A	Displacement Gyro	AH-1, UH-60A/EH-60A
CN-1497/A	Displacement Gyro	AH-1
CN-1552/A	Rate Gyro	UH-60A/EH-60A
CN-1564/A	Rate Gyro	UH-60A/EH-60A
CN405/ASN	Compensator	AH-1, CH47D, OH-58, U-21A,
CN-601( )/ASW-12(V)	Displacement Gyro	OV-1D
CN-770/AAS-14	Displacement Gyro	OV-1D
CN-811 ( )/ASN, 9000F,	Displacement Gyro	CH47D
CN-998( )/ASN-43	Directional Gyro	AH-1, CH-47D, OH-58, OH-
60A		
CP-1252/ASN-128	Computer Display Unit	AH-1, CH47D, UH40A/EH-60AJ
CP-1252B/ASN-128	Computer Display Unit	AH-64A
CP-1398	Azimuth Computer	RC-12
CP-1446/A	Computer	UH-60A/EH-60A
CP-1470/A	CIS Processor	UH-60A/EH-60A
CP-1516/ASQ	Peripheral Interface Unit (ATHS)	OH-58D
CP-1597/APR-39A(V)	Processor Digital Radar Warning	AH-64D
CP-583/ASN	Computer	OV-1D
CP-941/ASN-86	Navigation Computer	OV-1D, U-21A
CU-1658( )/A	HF Antenna Coupler	CH-47D, OV-1D, U-21A, UH-1
CU-2104/ALQ-133	Power Divider	OV-1D
CU-2284/A	Antenna Coupler	UH-60A/EH-60A
CU-2305/ARC-199	Antenna Coupler	OH-58D, UH-60A/EH60A
CU-2481/ARC	Diplexer	AH-64D
CU-792/ASW-12(V)	Navigation Coupler	OV-1D
CU-865/ASN	Indicator Coupler	OV-1D
CU-942( )/ARC	FM Antenna Coupler	OV-1D, U-21A, UH-1
CU-991/AR	HF Antenna Coupler	UH-1
CV-1275/ARN	Converter	UH-1
CV-2052/AAS-1 4A	Signal Data Converter	OV-1D
CV-2094/A	Signal Data Converter	OV-1D
CV-2647/AYA-10	Signal Data Converter	OV-1D
CV-265A/ARN-30A	Converter	OV-1D, UH-1
CV-2666/MAAS-24	Video Converter	OV-1 D
CV-2924(P)/ARN-103(V)	Signal Data Converter	OV-1D, U-21A
CV-3171/ALQ-133	Converter-Processor	OV-1D

## AIRCRAFT AVIONICS INSTALLATION CROSS REFERENCE (Cont'd)

TYPE	NOMENCLATURE	AIRCRAFT
CV-3171/ALQ-133	Converter-Processor	OV-1D
CV-3174/ALQ-133	Frequency Converter	OV-1D
CV-3338/ASN-128	Signal Data Converter	AH-1, AH64A, CH-47D, UH-60A/EH-60A
CV-3395/ALQ-133	Converter-Processor Group	OV-1D
CV-3396/ALQ-133	Converter-Processor Group	OV-1D
CV-3669/ASN-137	Signal Data Converter	AH-64A, OH-58D
CV-3669A/ASN-137	Signal Data Converter	AH-64A
CV-3701/A	Power Converter	UH-60A/EH60A
CV-3885/ARC-201	Data Rate-Adapter	AH-64D, UH-60A/EH-60A
CV-3885/ARC-201A	Data Rate Adapter	OH-58D
CW-854/APN-168	Radome	OV-1D
CX-11271/AAS-14A	Cable Assembly	OV-1D
CX-11272/AAS-14A	Cable Assembly	OV-1D
CY-1409A/APN-22	Receiver-Transmitter Housing	OV-1D
CY-4811/U	Magazine Case	OV-1D
CY-4815/AAS-14A	Equipment Cabinet	OV-1D
CY-6606/AAS-24	Equipment Cabinet	OV-1D
CY-665/AAS-24	Film Magazine Case	OV-1D
CY-740/ALQ-133	Intercept Receiver Pod	OV-1D
CY-7611/ALQ-144	Transit Case	UH40A/EH60A
CY-8515/ARC-201	Battery Box	AH-4D
D-2218	Tactical Air Navigation (TACAN)	RC-12
DF-203	Automatic Direction Finder	RC-12
DF-206	Direction Finder Set	UV-18
DF-301	Indicator	UV-18
DT-173/AJN	Magnetic Azimuth Detector	OV-1D
DT-309/AJN	Detector (Flux Value)	OV-1D
DT-322/ADR-6	Detector	OV-1D
DT-376/ASN	Detector (Flux Value)	OV-1D
DY-150/ARN	Dynamotor	OV-1D, UH-1
DY-86/ARN-30	Dynamotor	UH-1
E551-11220-6	Battery	U-21A
ELT-10	Emergency Locator Transmitter	RC-12
ES-D-221604	Mount	OV-1D
F-1263/APN-171A(V)	Band Suppression Filter	OV-1D
F-1503/APR-44(V)	Low Pass Filter	OV-ID, U-21A, UH-60A/EH-60A
F-1522/A	VHF Band Pass Filter	UH-60A/EH60A
FD-112V	Flight Director	UV-18
FM 10-30-1	FM Communications Antenna	UH-1
GBU	Control Display Unit	RC-12
GH-14	CO-Pilots Gyro Horizon Indicator	RC-12
GH-14B	CO-Pilots Gyro Horizon Indicator	RC-12
GNS-500A	Global Pos Nav Set	UV-18
H-14	Automatic Flight Control System	U-21A
H-250/U	Troop Commanders Handset	UH-60A/EH-60A
H-54261-1	High Pass Filter	AH-4A
HD-1067/APS-94F	Pressurization Set	OV-1D

## AIRCRAFT AVIONICS INSTALLATION CROSS REFERENCE (Cont'd)

TYPE	NOMENCLATURE	AIRCRAFT
HD-615/ARC-51BX	Cooler	AH-1, OH-58, OV-1D, U-21AU-21A,
HD-723/AAS-14A	Cryogenic Refrigerator	OV-1D
HD-841/AAS-24	Rotary Compressor	OV-1D
HPF40-01T	UHF High Pass Filter	AH-1, CH47D, OH-58
HS4261	High Pass Filter	AH-64D
ICN40	Distance Measure Set	UV-18
ID-1003/ARC	SWR Indicator	AH-1, OH-58, OV-1D, U-21A,
ID-1282( )/AYA-3	Velocity-Steering Indicator	OV-1D
ID-1345/APN-171(V)	Height Indicator	OV-1D
ID-1347C/ARN-82	Course Indicator	UH-1
ID-1351(C), (D), (E)/A	HRB Indicator	OH-58
ID-1351(PL)(A), (B)/A	HRB Indicator	OH-58
ID-1376/APN-21 5(V)	Indicator	U-21A
ID-1579/ASN-86	Control-Indicator	OV-1D, U-21A
ID-1581/ADR-6	Indicator	OV-1D
ID-1902/ALR-46(V)	Control-Indicator	OV-1D
ID-1917/APN-209	Height Indicator	AH-64A, UH-1, UH-60A/EH-60A
ID-1917A/APN-209	Height Indicator	AH-64A
ID-1917A/APN-209(V)	Height Indicator	CH47D
ID-1917B/APN-209	Height Indicator	AH-64A
ID-1917C/APN-209	Height Indicator	AH-64A
ID-1979/A	Control-Indicator	OV-1D
ID-2103/A	Horizontal Situation Indicator	AH-1, CH-47D
ID-2104/A	Altitude Direction Indicator	AH-1
ID-2105/A	Radio Magnetic Indicator	AH-1
ID-2192/ARN-124	Control Indicator	UH-1
ID-2218	Range Indicator	RC-12
ID-2277/A	Vertical Situation Indicator	UH-60AEH-60A
ID-2278/A	Horizontal Situation Indicator	UH-60A/EH-60A
ID-2278A/A	Indicator Assembly	AH-64A
ID-2279( )/A	Stabilator Indicator	UH-60AIEH-60A
ID-2403	Indicator	AH-64A
ID-250( )ARN	Radio Magnetic Indicator	AH-1, OV-1D, U-21A, UH-1
ID-257/APN-22	Height Indicator	OV-1D
ID-351B/ARN	Course Indicator	U-21A
ID-387/ARN	Course Indicator	U-21A
ID-453/ARN-30	Course Indicator	UH-1
ID-48/ARN	Course Indicator	AH-1
ID-663( )/U	Bearing-Distance-Heading Indicator	OV-1D
ID-807/U	Calibration Indicator	OV-1D
ID-882/ASN	Attitude-Navigational Indicator (Horizontal)	OV-1D
ID-883/ASN	Course Indicator	OV-1D
ID-998/ASN	Radio Magnetic Indicator	AH-1, U-21A, UH-1
IDC-518	CO-pilots Encoding Altimeter	RC-12
IP-1080/AYA	Digital Indicator	OV-1D



## AIRCRAFT AVIONICS INSTALLATION CROSS REFERENCE (Cont'd)

TYPE	NOMENCLATURE	AIRCRAFT
IP-1150/APR-39(V)	Indicator	AH-1, AH-64A, CH-47D, OH-58, 60NAEH-60A
IP-1552/G	Computer Display Unit	AH-64A
IP-1552A/G	Computer Display Unit	AH64A
IP-516( )/APS-94	Radar Target Indicator	OV-1D
IP-517( )/APS-94	Video Signal Monitor	OV-1D
IP-724( )/APN-158	Azimuth Range and Indicator	U-21A
IP-808/U	Terrain Display Indicator	OV-1D
IP-923/APS-94D	Radar Target Indicator	OV-1D
IP-957/APR-36(V)	Azimuth Indicator	OV-1D
IP-969/AAS-24	Indicator	OV-1D
IP-970/AAS-24	Terrain Indicator	OV-1D
IU2570301	Vertical Speed Indicator	UV-1D
J-1098C/APS-94	Interconnection Box	OV-1D
J-2	Gyro Compass Set	UH-1
J-2794/APS-94D	Interconnecting Box	OV-1D
J-2794A/APS-94F	Interconnecting Box	OV-1D
J-3766/A	Audio Interface Unit	UH-60A/EH-60A
KA-30A	Still Picture Camera	OV-1D
KA-60OC	Still Picture Camera	OV-1D
KA-76A	Still Picture Camera	OV-1D
KCS-55A-01	Compass Pictorial Indicator	UV-18
KCU-951	HF Control Panel	RC-12
KDI-573	Slave DME Indicator	U-21A
KFC-250	Auto Pilot	U-21A
KG-102A	Gyro	U-21A
KHF-950	HF Communications Set	RC-12
KI-226	Radio Magnetic Indicator	UV-18
KI-265	DME Indicator	UV-18
KJ-525A	Horizontal Situation Indicator	TH-67, U-21A, UV-1B
KIT-1A/TSEC	IFF Computer	AH-1, OV-1D, UH- 60A/EH-60A, UV-18
KLN-88	Navigation Receiver	TH-67
KMA-24H	Intercom Control	U-21A
KMT-112	Flux Valve	U-21A
KN-520	Course Indicator	UV-18
KN-53	Receiving Set (VOR/ILS)	U-21A
KN-65	Distance Measure Set	UV-18
KN-72	VORI/LOC Converter	U-21A
KN-73	GS Receiver	UV-18
KN-74	R-NAV Computer Set	UV-18
KNI-582	Radio Magnetic Indicator	TH-67, U-21A
KNS-81	Integrated Navigation System	U-21A
KR-21	Radio Receiver (MB)	TH-67, U-21A, UV-18
KR-85	Direction Finder Set	UV-18
KR-87	Direction Finder Set	TH-67, U-21A
KRA-10A	Radar Altimeter	U-21A

## AIRCRAFT AVIONICS INSTALLATION CROSS REFERENCE (Cont'd)

TYPE	NOMENCLATURE	AIRCRAFT
KS-104A	Photographic Surveillance System	OV-1D
KS-104B	Photographic Surveillance System	OV-1D
KS-113A	Photographic Surveillance System	OV-1D
KS-61A	Photographic Surveillance System	OV-ID
KT-76A	Receiver-Transmitter	TH-67
KT-76A	Transponder Set	U-21A
KTR-909	Radio Set	TH-67
KTU-709	TACAN Set	U-21A
KU-565/AKT-1 8	Video Encoder	OV-1D
KX-165	Radio Set	TH-67
KX-175	VOR/LOC Receiver	UV-18
KX-175B	Radio Set	UV-18
KY-196	Radio Set	U-21A
KY-565/AKT-18	Video Encoder	OV-1D
KY-865/AKT-18B	Video Encoder	OV-1D
LA-130A	Lens Cone	OV-1D
LA-131A	Lens Cone	OV-1D
LA-134A	Camera Body Drive	OV-1D
LA-135	Film Cassette Magazine	OV-1D
LA-136A	Lens Cone Group	OV-1D
LA-137A	Lens Cone Case	OV-1D
LA-138A	Lens Cone Case	OV-1D
LA-139A	Camera Equipment Case	OV-1D
LA-152A	Power Supply Control	OV-1D
LA-153A	Camera Mount Control	OV-1D
LA-154A	Camera Exposure Control	OV-1D
LA-155A	Flare Reset Control	OV-1D
LA-156A	Master Camera Control	OV-1D
LA-157A	Photoflash Detector	OV-1D
LA-158A	Cartridge Ejector	OV-1D
LA-159A	Cartridge Ejector	OV-1D
LA-160A	Camera Mount	OV-1D
LA-161A	Light Monitoring Sensor	OV-1D
LA-162A	Oblique Sight (Left)	OV-1D
LA-163	Oblique Sight (Right)	OV-1D
LA-163A	Oblique Sight (Right)	OV-1D
LA-176A	Attitude-Speed Ratio Converter	OV-1D
LA-177A	Attitude-Speed Ratio Coupler	OV-1D
LA-178A	Flight Line Tracker	OV-1D
LA-359A	Carrying Cradle	OV-1D
LA-370A	Lens Cone	OV-1D
LA-371A	Lens Cone	OV-1D
LA-372A	Lens Cone	OV-1D
LA-373A	Camera Body Drive	OV-1D
LA-374A	Lens Cone	OV-1D
LA-374A	Camera Lens Cone	OV-1D
LA-375A	Photographic Shutter	OV-1D

## AIRCRAFT AVIONICS INSTALLATION CROSS REFERENCE (Cont'd)

TYPE	NOMENCLATURE	AIRCRAFT
LA-388	Pod Assembly	OV-1D
LA-388A	Pod Assembly	OV-1D
LA-389A	Carrying Case	OV-1D
LA-390A	Cable Assembly	OV-1D
LA-391A	Cover Assembly	OV-1D
LA-392	Turbine Cover Assembly	OV-1D
LA-392A	Turbine Cover Assembly	OV-1D
LA-394A	Control Box Assembly	OV-1D
LA-405A	Camera Control	OV-1D
LA405B	Camera Master Control	OV-1D
LA-406A	Power Supply Control	OV-1D
LA-407A	Light Sensor	OV-1D
LA408A	Camera Mount	OV-1D
LA-408B	Camera Mount	OV-1D
LA409A	Actuator Assembly	OV-1D
LA-410A	Film Magazine	OV-1D
LA411A	Camera Body Drive	OV-1D
LA412A	Camera Control	OV-1D
LA-413A	Camera Control Panel	OV-1D
LA-414A	Film Cassette Magazine	OV-1D
LA-432A	Camera Master Control	OV-1D
LA-434A	Code Matrix Block Recorder	OV-1D
LA-96A	Altitude-Speed Ratio Detector	OV-1D
LPF40-02B	FM Low Pass Filter	AH-1, CH-47D, OH-58, UH-60A/EH-60A
LS-38A	Photographic Control System	OV-1D
LS-59A	Photographic Flasher System	OV-1D
LS-91A	Photographic Control System	OV-1D
LS-91B	Photographic Control System	OV-1D
LS-92A	Photographic Control System	OV-1D
M-130	General Purpose Dispenser	UH40A/EH-60A
M-500-08	Turn and Slip Indicator	UV-18
M313	Indicator Radio Magnetic	AH-64A
M8805/55-001	Switch Push Pilot/Copilot	AH-64D
MA-18/U	Film Magazine	OV-1D
MA-26/AAS-24	Film Magazine	OV-1D
MC-1	Rate Gyro	AH-1, U-21A, UH-1
MD-1	Displacement Gyro	U-21A, UH-1
MD-1047/A	Audio Threshold Device	CH47D
MD-1047/A	Audio Threshold Device	UH-1
MD-1074/ALQ-147A(V)1	Modulator Assembly	OV-1D
MD-1074/ALQ-147A(V)2	Modulator Assembly	OV-1D
MD-101/A	Audio Threshold Device	AH-1, OH-58
MD-1102/USQ-61	Digital Modem	OV-1D
MD-1295/A	Improved Data Modem	AH64D
MD-736/A	Signal Discriminator	AH-1, OV-1D, U-21A, UH-1,

## AIRCRAFT AVIONICS INSTALLATION CROSS REFERENCE (Cont'd)

TYPE	NOMENCLATURE	AIRCRAFT
MGH 229-100	INS Inverter	U-21A
MK-898/AAS-14A	Optical Filter Kit	OV-1D
MS-3513/APX	Mount	U-21A
MS91405-BIC	Mount	OV-1D
MS91405-BI D2	Mount	OV-1D
MS91405-C2D	Mount	OV-1D
MT-1142/ARC	Mount	UH-1
MT-1174/ARN-30	Mount	OV-1D, UH-1
MT-1175/ARN-30A	Mount	OV-1D, UH-1
MT-1535/ARC-54	Mount	AH-1, OV-1D, U-21A, UH-1
MT-1719/AR	Mount	UH-1
MT-1955/ARA-50	Mount	U-21A
MT-1995/A	Mount	OV-1D
MT-2018/ARN	Mount	OV-1D, UH-1
MT-2019/ARN	Mount	OV-1D, UH-1
MT-2416/ASN	Mount	OV-1D
MT-2417/ASN	Mount	OV-1D
MT-2530/A	Mount	OV-1D
MT-2551/AYA-3	Mount	OV-1D
MT-2641/ARC	Mount	CH-47D
MT-2653/ARC	Mount	AH-1, OH-58, OV-1D, U-21A, UH-1
MT-2659/ARN	Mount	UH-1
MT-2695/AJA-5	Mount	OV-1D
MT-2699/ARC-73	Mount	UH-1
MT-3068/APN-158	Mount	U-21A
MT-3069/APN-158	Mount	U-21A
MT-3435/APN-168	Mount	OV-1D
MT-3436/APN-168	Mount	OV-1D
MT-3448/AKT-18	Mount	OV-1D UV-1D
MT-3582/AAS-14	Mount	OV-1D
MT-3600/ARN-82	Mount	OV-1D
MT-3600/ARN-82	Mount	UH-1
MT-3605/ARN-83	Mount	AH-1, OV-1D, U-21A, UH-1
MT-3610/MAAS-14A	Mount	OV-1D
MT-317/A	Mount	OV-1D
MT-3664/ARC-131	Mount	AH-1, OV-1D, U-21A
MT-3772/A	Mount	OV-1D, UH-1
MT-3772A/A	Mount	CH47D, U-21A
MT-3772A/ARC	Mount	AH-1
MT-3791( )/ARC-134	Mount	OV-1D, U-21A, UH-1
MT-3791 C/ARC-134	Mount	AH-1
MT-3802/ARC	Mount	AH-1, AH-64A, CH47D, OH- 58, OV-1D, UH-D
MT-3809/APX-72	Mount	AH-1, OH-58, OV-1D, U-21A,

## AIRCRAFT AVIONICS INSTALLATION CROSS REFERENCE (Cont'd)

TYPE	NOMENCLATURE	AIRCRAFT
MT-3870/A	Mount	OV-1D OH-58D, OV-1D, U-21A, UH-1,
MT-3949A/U	Mount	AH-1, AH-64A, CH47D, OH-58, UH-60A/EH-60A, UV-18
MT4015/APS-94	Equipment Rack	OV-1D
MT-4015/APS-94F	Equipment Rack	OV-1D
MT4075/ASN-86	Mount	OV-1D, U-21A
MT4105/AAS-14A	Mount	OV-1D
MT-4156/AAS	Mount	OV-D
MT-4157/AAS-24	Mount	OV-1D
MT-41 58/AAS-24	Mount	OV-1D
MT41 59/AAS-24	Mount	OV-1D
MT4167/APN-171(V)	Mount	OV-1D
MT44111/ARN-103(V)	Mount	OV-1D, U-21A
MT4447/ASN-86	Mount	OV-1D, U-21A
MT4539/AYA-10	Mount	OV-1D
MT4685/A	Mount	OV-1D
MT4792/AKT-1 8A	Mount	OV-1D
MT4793/AKT-18A	Mount	OV-1D
MT4811/APX-100	Mount	AH-1, OH-58D
MT4834/ARN-123(V)	Mount	CH47D, OH-58, UH40A/EH-
MT4835/ARN	Mount	OV-1D, U-21A
MT4835/ARN	Mount	UH-1
MT4902/USQ-61	Mount	OV-1 D
MT4903/USQ-61	Mount	OV-1D
MT4904/USQ-61	Mount	OV-1 D
MT4980/ARN-123(V)	Mount	AH-1, UH-1
MT-5203/APS-505	Mount	U-21A
MT-6016/AKT-1 8B	Mount	OV-1D
MT-617/ARC- 64(V)	Mount	OV-1D
MT-6034/ARN-124	Mount	UH-1
MT-6051/ARC-1 86	Mount	UH-60A/EH-60A
MT-6226/A	Mount	UH-60A/EH-OA
MT-6227/A	Vibration Tray	UH-60A/EH-60A
MT-6347/ARC-201A	Mount	OH-58D
MT-6374/ARC-201	Mount	UH-60A/EH-60A
MT-6583/ARN-149	Mount	AH-64A/D
MT-7186AUSA-23	Recorder Subassembly	OV-1D
MT-803/APN-22	Mount	OV-1D
MT-859( )/APX-72	Transponder	UH-1
MU-1004A/A	Data Transfer Cartridge	AH-64D, OH-58D
MU-1005/A	Data Transfer Receptacle	AH-64D, OH-58D
MX-10465/ASQ	Symbol Generator	AH-64A
MX-2916( )/ASW-12(V)	Accelerometer	OV-1D
MX-2917/ASW	Calibration Unit	OV-1D
MX-2918/ASW-12(V)	Calibration Unit	OV-1D
MX-2919/ASW-12(V)	Calibration Unit	OV-1D

## AIRCRAFT AVIONICS INSTALLATION CROSS REFERENCE (Cont'd)

TYPE	NOMENCLATURE	AIRCRAFT
MX-8123/ASN-86	Gyro Stabilized Platform	OV-1D, U-21A
MX-8356/AAS-24	Recorder Subassembly	OV-1D
MX-8357/AAS-24	Detecting Set Subassembly	OV-1D
MX-8358/AAS-24	Converter Subassembly	OV-1D
MX-8359/AAS-24	Recorder Group Blanket	OV-1D
MX-9623/AAS-32	Electronic Components Assembly	AH-1
NARCO 03716-0300	Emergency Locator Transmitter	RC-12
O-1672/ALQ-133	Frequency Synthesizer	OV-1D
OA-7400/APN-168	Frequency Tracker	OV-1D
OA-7401/APN-168	Receiver-Transmitter	OV-1D
OA-7432( )/AYA-3	Computer	OV-1D
OA-7825/AAS-14A	Control	OV-1D
OA-7827/AAS-14A	Receiver Group	OV-1D
OA-8511/AAS-24	Recorder Group	OV-1D
OK-149/AAS-24	Terrain Display/Control Group	OV-1D
OK-150/AAS-24	Calibration Display/Control Group	OV-1D
OK-270/ALQ-133	Quantizer-Control Group	OV-1D
OK-279/A	Voltage Controller Group	OV-1 D
OR-140/ALQ-133	Intercept Receiver Group	OV-1D
P-2792/ARN-30D	Power Supply	UH-1
PC-15BC	Static Inverter	UV-18
PC-17A	Static Inverter	U-21A
PP-2404( )/APS-94	Power Supply	OV-1D
PP-2792/ARN-30D	Receiver	OV-1D
PP-3702/ARC-102	Inverter Mounting	OV-1D, UH-1
PP4478/AAMS-14A	Power Supply	OV-1D
PP-6270/AAS-24	Power Supply	OV-1D
PP-6376/A	Static Inverter	OH-58
PP-6508/U	Static Inverter	AH-1
PP-7035/ALQ-133	Power Supply	OV-1D
PP-7036/USQ-61	Power Supply	OV-1D
PP-7255/AKT-1 8A	Power Supply-Synchronizer	OV-1D
PP-7274( )/A	Static Inverter	AH-1
PP-7508/APS-94F	Power Supply Mount	OV-1D
PP-7618/U	Power Supply (5V)	UH-1
PP-7652/USQ-61A	Power Supply	OV-1D
PP-7723/A, A/A or B/A	Battery Charger	UH40A/EH-60A
PP-7798/A	Battery Charger	CH47D
PU-543( )/A	Inverter	AH-1, UH-1
PU-544( )/A	Inverter	OV-1D, U-21A
PU-545( )/A	Inverter	OV-1D
PU-750( )/A	Inverter	OV-1D
R-1021/ARN-30D	Receiver	OV-1D, UH-1
R-1041( )/ARN	Radio Receiver (MB)	UH-1
R-1123/ARC-73	Receiver	UH-1
R-1386/AAS-14	Receiver	OV-1D
R-1388( )/ARN-82	Receiver	OV-1D, UH-1

## AIRCRAFT AVIONICS INSTALLATION CROSS REFERENCE (Cont'd)

TYPE	NOMENCLATURE	AIRCRAFT
R-1391/ARN-83	Receiver	AH-1, OV-1D, U-21A, UH-1
R-1496( )/ARN-89	Receiver	OH-58, OV-1D
R-1496/ARN-89	Receiver	AH44A
R-1496A/ARN-89	Receiver	AH-1, AH-64D, CH-47D, UH-
R-1615/AAS-24	Infrared Receiver	OV-1D
R-1838/APR-39(V)	Forward Radar warning Receiver	AH-1, AH-4AID, CH47D, OH-
		58, OH-58D, OV-1D, U-21A,
		UH-1, UH-60A/EH-60A
R-1838/APR-39(V) (2)	Aft Radar Warning Receiver	AH-4D
R-1854/ALR-46(V)	Receiver	OV-1D
R-1960/AAS-32	Receiver-Tracker	AH-1
R-1963/ARN	Radio Receiver (MB/GS)	OV-1D, U-21A, UH-1
R-2023/ARN-123(V)	Receiver	AH-1, CH-47D, OH-58, UH-1,
R-2057/USQ-61	Radio Receiver	OV-1D
R-2097/APR-44(V)	Receiver	OV-1D, U-21A, UH-60AIEH-60A
R-2098/APR-44()	Receiver	OV-1D, U-21A
R-2139/ARN-1 23(V)	Receiver	UH-60AEH60A
R-23821ARN-149(V)	Receiver	AH-64A/D
R-836/ARN	Receiver	OV-1D, UH-1
R-844( )/ARN-58	Radio Receiver (MBIGS)	OV-1D
RA-315	Radio Altimeter Indicator	RC-12
RD-166( )/UP	Radar Mapping Recorder	OV-1D
RD-550	CO-pilot's Horizontal Situation Indicator	RC-12
RD-550R	CO-pilot's Horizontal Situation Indicator	RC-12
RD-650B	Pilot's Horizontal Situation Indicator	RC-12
RD-650B	Pilot's Attitude Direction Indicator	RC-1
RMI-30	Radio Magnetic Indicator	RC-12
RO-301/ADRB	Recorder	OV-1D
RO-352/APS-94D	Recorder-Processor-Viewer	OV-1D
RO-495/U	Recorder-Processor-Viewer	OV-1D
RT-1057/ARN-103(V)	Receiver-Transmitter	OV-1D, U-21a
RT-108/1ARC	Receiver-Transmitter	U-21A
RT-1115( )/APN-209(V)	Receiver-Transmitter-Height Indicator	AH-1, OH-58, UH-1, UH-
RT-111 5AIAPN-209(V)	Receiver-Transmitter Radar Altimeter	AH-4A/D
RT-111 5BIAPN-209(V)	Receiver-Transmitter Radar Altimeter	AH-64A/D, CH-47D
RT-1115CIAPN-209(V)	Receiver-Transmitter Radar Altimeter	AH-64A/D
RT-1115D/APN-209(V)	Receiver-Transmitter Radar Altimeter	AH-64A/D
RT-1149/ALQ-136	Receiver-Transmitter	AH-1, AH41A
RT-1149/ALQ-136(V)1	Radar Jammer	AH-64D
RT-1157( )/APX-100	Transponder	AH-1
RT-1167/ARC-164	Receiver-Transmitter	U-21A, UH-1, UV-18
RT-1167/ARC-164(V)	Radio Set	AH-1, AH64D, CH47D, OH-58,
RT-1167CI/ARC-164	Radio Set	AH-64A

## AIRCRAFT AVIONICS INSTALLATION CROSS REFERENCE (Cont'd)

TYPE	NOMENCLATURE	AIRCRAFT
T-1193/AS N-1 28	Receiver-Transmitter-Antenna	AH-1, AH-64D, CH-47D, OH-
RT- 193A/ASN	Receiver-Transmitter Antenna	AH-64A
RT-1220/ALQ-156(V)	Receiver-Transmitter	CH47D
RT-1283/APS-94F	Receiver-Transmitter	OV-1 D
RT-1285( )/APX-100	Transponder	CH-47D, OH-58
RT-1288/ARC-164(V)	Receiver-Transmitter	OV-1 D
RT-1294/ARN-124	Receiver-Transmitter	UH-1
RT-1296/APX-100 (V)	Receiver-Transmitter	AH-64A
RT-1296A/APX-100	Receiver-Transmitter	AH-64A
RT-1296B/APX-100 (V)	Receiver-Transmitter	AH64A
RT-1300A/ARC-186(V)	Receiver-Transmitter	UH-60A/EH-60A
RT-1300 B/ARC-186	Receiver-Transmitter	AH-64D, OH-58D
RT-1321	Receiver Transmitter	RC-12
RT-1352/APN-215(V)	Receiver-Transmitter	U-21A
RT-1354/ARC-186	Radio Set	OH-58, UH-1, UH-60A/EH-60A
RT-1354/ARC-186(V)	Radio Set	AH-1, AH-64A, CH47D
RT-1411/APN-209	Receiver-Transmitter	AH-64A
RT-1411/APN-209(V)	Receiver-Transmitter Radar Altimeter	AH-64D
RT-14121/APN-209A(V)	Receiver-Transmitter	OH-58D
RT-1411A/APN-209	Receiver-Transmitter	AH-64A
RT-1411A/APN-209(V)	Receiver-Transmitter Radar Altimeter	AH-64D
RT-1432/U	Receiver-Transmitter	OH-58D, UH-60A/EH-60A
RT-1471/APX	Transponder	OH-58D
RT-1471/APX-100(V)	Receiver-Transmitter Radar	AH-4D
RT-1477/ARC-201(V)	Receiver-Transmitter	UH-60A/EH-60A
RT-1478/ARC-201A	Receiver-Transmitter	AH-64D
RT-1478A/ARC-201A	Receiver-Transmitter	OH-58D
RT-1518/ARC-164	Receiver-Transmitter	UH-60A/EH-60A
RT-1518/ARC-164(V)	Receiver-Transmitter	AH-64A
RT-1557/APX-100(V)	Receiver-Transmitter	AH64A
RT-1 557A/APX-100(V)	Receiver-Transmitter	AH-64A
RT-1 60/APN-22	Receiver-Transmitter	OV-1 D
RT-1614/ARC-164(V)	Receiver-Transmitter	OH-58D
RT-1614/ARC-1 86	Receiver-Transmitter	AH-64D
RT-348/ARC-54	Receiver-Transmitter	AH-1, OV-1D, U-21A, UH-1
RT-530/APS-94	Receiver-Transmitter	OV-1 D
RT-698/ARC-102	Receiver-Transmitter	CH-47D, OV-D, U-21A,
UH-1		
RT-711( )/APN-158	Receiver-Transmitter	U-21A
RT-742( )/ARC	Receiver-Transmitter	AH-1, OH-58, OV-1D, U-21A,
RT-804A/APN-171(V)	Receiver-Transmitter	OV-1 D
RT-823/ARC-131	Receiver-Transmitter	AH-1, OV-1D, U-21A, UH-1
RT-857/ARC-134	Receiver-Transmitter	AH-1, OV-1D, UH-1
RT-859( )/APX-72	Transponder	AH-1, OH-58, OV-1D,
U-21A,		
RT-899/APS-94D	Receiver-Transmitter	OV-1 D



## AIRCRAFT AVIONICS INSTALLATION CROSS REFERENCE (Cont'd)

TYPE	NOMENCLATURE	AIRCRAFT
S-1660-60036-10	Mount	UH-60A/EH-60A
S-3( )	Gyro Control	UH-1
S65-8282-30	VHF/AM-FM Antenna	CH-47D
SA-2056/USQ-61	Transmit-Receive Switch	OV-1D
SA-521/A	Antenna Transfer Switch	OV-1D
SANS-706	TACAN Distance Indicator	RC-12
SB-2471/AKT-18	Power Distribution Panel	OV-1D
SB-2649/AAS-14A	Switch Control Panel	OV-1D
SG-1127/APS-94E	Sweep Generator	OV-1D
SG-794/APS-94D	Sweep Generator	OV-1D
SN-257A/APS-94	Synchronizer	OV-1D
SN-324/AJA-5	Synchrophaser	OV-1D
SN-358( )/APN-158	Synchronizer	U-21A
SU-130/AVR-2	Sensor Unit	AH-64D, UH-60A/EH-60A
T-1360(V)1/ALQ-144	Transmitter	AH-1, AH-64A/D, UH-60A/EH-60A
T-1407/ALQ-147A(V)	Transmitter Assembly	OV-1D
T-1408/ALQ-147(V)	Transmitter Assembly	OV-1D
T-366/ARC	Transmitter	UH-1
T-611/ASN	Compass Transmitter	AH-1, CH-47D, OH-58, OH-58D, U-21A, UH-1, UH-60A/EH-60A
T-879/ARC-73	Transmitter	UH-1
T-991/AR	Transmitter	OV-1D
T-992/A	True Airspeed Transmitter	OV-1D, U-21A
TG-78( )/ASW-12(V)	Actuator	OV-1D
TG-80( )/ASW-12(V)	Actuator	OV-1D
TG-81( )/ASW-12(V)	Actuator	OV-1D
TR-253/AYA	Altitude Transducer	OV-1D
TR-322/A	Air Data Transducer	UH-60A/EH-60A
TR-323/A	Air Speed Transducer	UH-60A/EH-60A
TR-326/A	Linear Servo Accelerometer	UH-60A/EH-60A
TRU-2A/A	Turn Rate Gyro	AH-1, UH-60A/EH-60A
TS-1843( )/APX	Test Set	AH-1, OH-58, OV-1D, U-21A, UH-1, UV-18
TSEC/KG-( )	Key Generator	OV-1D
TSEC/KG-35-4	Key Generator	OV-1D
TSEC/KY-58	Communications Security Set	UH-60A/EH-60A, UV-18
TSEC/KY-75	Com Security Set	OH-58D
V-1000AB-F TYPE 2	Video Recorder	AH-64A/D
VG-14	Vertical Gyro	UV-18
VHF-20B	VHF/AM Communications	RC-12, UV-18
VHF-22B	VHF Communications Transceiver	RC-12
VIR-30-AGM/AG	Dual NAV1-NAV2 Control Panel	RC-12
VIR-32	VHF Navigation Receiver	RC-12
VT-10-02	VOR/GS Antenna	U-21A
Z-AHP/TSEC	Remote Control Unit	UH-60A/EH-60A, UV-18
Z-AHQ/TSEC	Interface Adapter	UH-60A/EH-60A, UV-18

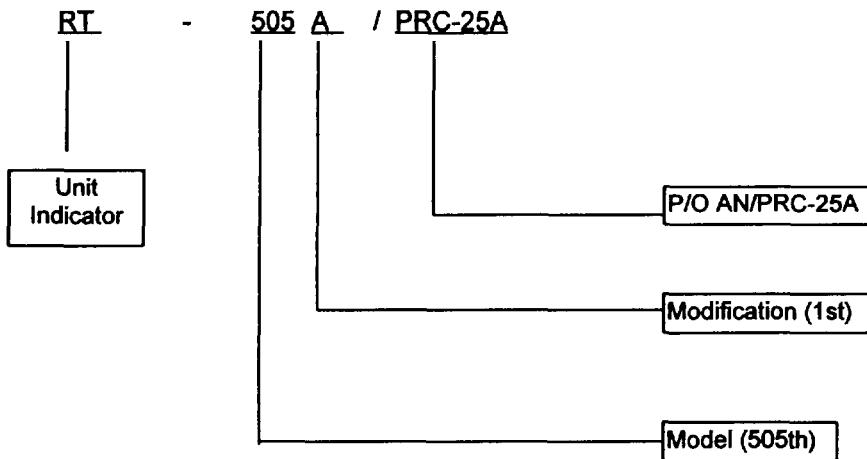
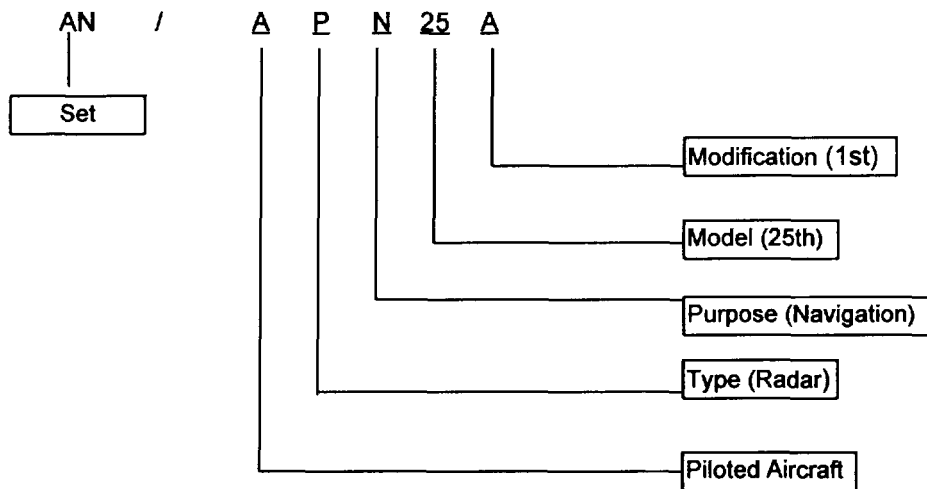
## AIRCRAFT AVIONICS INSTALLATION CROSS REFERENCE (Cont'd)

TYPE	NOMENCLATURE	AIRCRAFT
	Maker Beacon Audio Control Panel	RC-12
	Observer Headset and GPS Key Panel	RC-12
	Pilots Encoding Altimeter	RC-12
	Aileron High Toque Test Switch & Annunc	RC-12
	Radio Control Panel	RC-12
	Auto-Pilot Pitch-Turn Control Panel	RC-12
	Gyro Magnetic Compass System	RC-12
	Auto-Pilot Flight Dir Annunciator Panel	RC-12

APPENDIX E

EQUIPMENT INDICATOR LETTERS

This appendix contains tables of the indicators used when assigning nomenclature to electronics equipment under the Joint Electronics Type Designation System (JETDS). Examples of assignment under this system are listed below:



**TABLE I  
EQUIPMENT INDICATORS**

**MOUNTED OR INSTALLED**

A	Piloted aircraft	S	Water
B	Underwater mobile, submarine	T	Transportable (ground)
D	Pilotless carrier	U	General utility
F	Fixed ground	V	Vehicular (ground)
G	General ground use	W	Water surface and underwater comb.
K	Amphibious	Z	Piloted-pilotless airborne vehicle comb
M	Mobile (ground)		
P	Portable		

**TYPE**

A	Invisible light, heat radiation	N	Sound in air
C	Carrier	P	Radar
D	Radar	Q	Sonar and underwater sound
G	Telegraph or telephone	R	Radio
I	Interphone and public address	S	Special or combinations of types
J	Electromechanical or inertial wire covered	T	Telephone (wire)
K	Telemetry	V	Visual and visible light
L	Countermeasures	W	Armament
M	Meteorological	X	Facsimile or television
Y	Data Processing		

**PURPOSE**

A	Auxiliary Assembly	N	Navigational aids
B	Bombing	Q	Special or combination of purposes
C	Communications	R	Receiving, passive detecting
D	Direction finder, reconnaissance and /or surveillance	S	Detecting and range and bearing, search
E	Ejection and/or release	T	Transmitting
G	Fire control or searchlight directing	W	Automatic flight or remote control
H	Recording and/or reproducing	X	Identification and recognition
K	Computing		
M	Maintenance and /or test assemblies		

**TABLE II**  
**GROUP INDICATORS**

<u>GROUP IND.</u>	<u>FAMILY NAME</u>	<u>EXAMPLE OF USE</u>
OA	Miscellaneous groups	Groups not otherwise classified
OB	Multiplexer and/or demultiplexer groups	Multiplexer groups, demultiplexer groups, composites thereof
OD	Indicator groups	All Types
OE	Antenna groups	All Types
OF	Adapter groups	All Types
OG	Amplifier groups	All Types
OH	Simulator groups	All Types
OJ	Console and console groups	All Types
OK	Control groups	All Types
OL	Data analysis and data processing groups	All Types
OM	Modulator and/or demodulator groups	Modulator groups, demodulator groups, composites thereof
ON	Interconnecting groups	All Types
OP	Power supply groups	All Types
OQ	Test set groups	All Types
OR	Receiver groups	All Types
OT	Transmitter groups	All Types
OU	Converter groups	All Types
OV	Generator groups	All Types
OW	Terminal groups	All Types
OX	Coder, decoder, interrogator, transponder groups	All Types
OY	Radar set groups	Do not use if a more specific indicator, such as OE, OR, OT applies
OZ	Radio set groups	Do not use if a more specific indicator, such as OE, OR, OT applies

**TABLE III  
UNIT INDICATORS**

<u>GROUP IND.</u>	<u>FAMILY NAME</u>	<u>EXAMPLE OF USE</u>
AB	Supports, antenna	Antenna mounts, mast bases, mast sections, towers
AM	Amplifier	Power, audio, interphone, RF, video, electronic control
AS	Antennas, simple and complex	Arrays, parabolic, masthead, whip, dipole, reflector
BA	Battery, primary type	B batteries, battery packs
BB	Battery, secondary type	Storage batteries, battery packs
BZ	Alarm units	A types
C	Controls	Control box, remote tuning control
CG	Cable assemblies, RF	RF cables, waveguides, transmission lines, terminals
CM	Comparators	Compares two or more input signals
CN	Compensators	Electrical and/or mechanical compensating, regulating or attenuating apparatus
CP	Computers	Mechanical and/or electronic mathematical calculating devices
CU	Couplers	Impedance coupling devices, directional couplers
CV	Converters (electronic)	Electronic apparatus for changing the phase, freq., or from "one medium to "another"
CW	Radomes	Radomes
CX	Cable assemblies, non RF	Non RF cables w/terminals, test leads, also composite cables of RF and non RF cond.
CY	Cases and cabinet	Rigid and semirigid structures for enclosing or carrying equipment
D	Dispensers	Chaff
DA	Load, dummy	RF and non RF test loads
DT	Detecting heads	Magnetic pickup device, search coil, hydrophone
F	Filter units	Electronic types; band-pass, low pass, band suppression, noise, telephone, filter networks; excludes non-reparable types
FR	Freq. measuring devices	Freq. meters, tuned cavity
G	Generators, power	Electrical power w/o prime movers
H	Head, hand, chest se	Includes earphone
HD	Environmental apparatus	Heating, coiling, dehumidifying, pressure, vacuum devices
ID	Indicator units, non-cathode-ray tube	Calibrated dials and meters, indicating lights
IM	Intensity measuring devices	Includes SWR gear, gield intensity and noise meters, slotted lines
IP	Indicator units, cathode-ray tube	Azimuth, elevation, panoramic
J	Interface units	Interconnecting and junction units
KY	Keying devices	Mechanical, electrical and electronic keyer, coder, interrupters
LS	Loudspeakers	Separately housed loudspeakers, intercommunication stations
M	Microphones	Radio, telephone, throat, hand

**TABLE III**  
**UNIT INDICATORS (Continued)**

<u>UNIT IND.</u>	<u>FAMILY NAME</u>	<u>EXAMPLE OF USE</u>
MD	Modulators, demodulators discriminators	Device for varying amplitude, freq. or phase
ME	Meters	Multimeter, volt-ohm-milliammeters, vacuum tube voltmeters, power meters
MK	Miscellaneous kits	Maintenance, modification
ML	Meteorological devices	Miscellaneous meteorological equip
MT	Mountings	Mountings, racks, frames, stands
MX	Miscellaneous	Equipment not otherwise classified
MU	Memo units	Memory units
O	Oscillators	Master freq., blocking, multivibrators (for test oscillators, see SG)
OS	Oscilloscope, test	Test oscilloscope for general test purposes
PL	Plug-in units	Plug-in unit not otherwise classified
PP	Power supplies	Nonrotating machine type such as vibrator pack, rectifier, hermoelectric
PT	Mapping and plotting units	Electronic types only
PU	Power equipment	Rotating power equipment, motor generator, dynamotors
R	Receivers	Receivers, all types except telephone
RD	Recorder-reproducer	Sound, graphic, tape, wire, film, disc, facsimile, magnetic, mechanical
RE	Relay assembly units	Electrical, electronic
RL	Reeling machine	Mechanism for dispensing and rewinding antenna or field wire, cable
RO	Recorders	Sound, graphic, tape, wire, film, disc, facsimile, magnetic, mechanical and card punch
RP	Reproducers	Sound, graphic, tape, wire, film, disc, facsimile, magnetic, mechanical punched tape and card readers
RR	Reflectors	Target, confusion. Except antenna reflectors
RT	Receiver-Transmitter	Radio and radar transceiver, composite transmitter and receiver
S	Shelters	Protective shelters
SA	Switching units	Manual, impace, motor driven, pressure operated, electronic
SB	Switchboards	Telephone, fire control, power, power distribution
SG	Generator, signal	Test oscillators, noise generator
SM	Simulators	Flight, aircraft, target, signal
SN	Synchronizers	Equipment to coordinate two or more functions
SU	Optical units	Electro-optical units, such as night vision, auto-collimator, scope, sight viewer, tracker, alignment equipment
T	Transmitter	Transmitters, all types, except telephone
TA	Telephone apparatus	Misc. telephone equipment
TB	Towed body	Hydrodynamic enclosures used to house transducers, hydrophones and other electronic equipment
TD	Timing devices	Mechanical and elec timing devices, range devices, multiplexers, electronic gates

**TABLE III**  
**UNIT INDICATORS (Continued)**

<u>UNIT IND.</u>	<u>FAMILY NAME</u>	<u>EXAMPLE OF USE</u>
TF	Transformers	When used as separate units
TG	Positioning devices	Tilt and/or train assys
TH	Telegraph apparatus	Misc. telegraph apparatus
TN	Tuning units	Receiver, transmitter, antenna, tuning units
TR	Transducers	Sonar transducers, vibration pickups
TS	Test units	Test and measuring equipment not
TT	Teletypewriter and facsimile apparatus	Miscellaneous tape, teletype, facsimile equipment
TW	Tape units	Preprogrammed with operational test and checkout data
V	Vehicles	Carts, dollies, vans, peculiar to electronic equipment
ZM	Impedance measuring devices	Used for measuring Q, C, L, R or PF



## APPENDIX F

## TMDE REPLACEMENT GUIDE

This appendix contains an alphanumeric listing of replaced TMDE cross referenced to the replacement item. Commercial items are listed by manufacturers part number following the military designated items. A ( ) following the replaced item indicates all models of that type.

<i>Replaced item</i>	<i>Replaced NSN</i>	<i>Replacement Item</i>	<i>Replacement NSN</i>
AN/GRM-114	6625-01-108-6206	ANGRM-114A	6625-01-144-4481
AN/GRM-50	6625-00-868-8353	SG-1144/U	6625-01-075-8478
	6625-00-003-3238		
AN/GSM-64	6625-00-870-2264	AN/GSM-64C	6625-01-124-0834
	6625-00-165-5779		
	6625-00-022-7894		
AN/PPM-1	6625-00-503-0661	SG-1205	6625-01-137-5369
AN/PRM-15	6625-00-519-0112	AN/PSM-45	6625-01-139-2512
AN/PSM-4( )	6625-00-500-2738	AN/PSM-45	6625-01-139-2512
	6615-00-643-1668		
	6625-00-585-9795		
	6625-00-893-3779		
	6625-00-073-2227		
	6625-00-879-0206		
	6625-00-431-8729		
	6625-00-248-2052		
AN/PSM-6	6625-00-643-1686	AN/PSM-45	66201-139-2512
	6625-00-6505871		
	6625-00-9574374		
AN/TSM-16	6625-00-542-1666	AN/USM-459	6625-01-061-8928
AN/UPM-110	6625-00-720-2495	AN/USM-489(V)	6625-01-079-9495
AN/UPM-15( )	6625-00-643-5959	SG-1205/U	6625-01-137-5369
	6625-00-682-2581		
AN/UPM-33	6625-00-699-0089	AN/USM-489(V)	6625-01-079-9495
	6625-00-539-8587		
AN/UPM-58	6625-00-523-8576	AN/USM-489(V)	6625-01-079-9495
AN/UPM-84	6625-00-557-8262	AN/USM-489(V)	6625-01-079-9495
	6625-0-011-072		
AN/URM-25( )	6625-00-580-7923	SG-1144/U	6625-01-078-8478
	6625-00-643-1548		
	6625-00-934-8723		
	6625-00-775-1874		
AN/URM-26	6625-00-355-5324	SG-1170/U	6620-01-120-3501
	6625-00-643-1541		
	6625-00-557-0523		
	6625-00-491-1132		
AN/URM-44	6625-00-643-2811	AN/URM-206	6621-01-077-8503
	6625-00-997700		
AN/URM-52( )	6625-00-556-8107	SG-1219/U	6625-01-188-7441
	6625-00-592-5742		
	6625-00-965-1501		
AN/URM-61A	6625-00-519-2056	SG-1219/U	6625-01-188-7441
AN/URM-70	6625-00-519-2104	SG-1170/U	6625-01-120-3501

<i>Replaced item</i>	<i>Replaced NSN</i>	<i>Replacement Item</i>	<i>Replacement NSN</i>
AN/URM-79	6625-00-668-9749	ANUSM-459	6625-01-061-8928
AN/URM-0	6625-00-649-4286	AN/SM-459	6625-01-061-8928
AN/URM-1	6625-00-539-9910	ANUSM-459	6625-01-061-8928
AN/URM-85 )	6625-00-776-0595	AN/URM-200	6625-01-083-9446
AN/URM-105()	6625-00-581-2036	ANSM45	6625-01-139-2512
	6625-00-884-1758		
	6625-00-999-6282		
ANIURM-134A	6625-00-987-9805	AN/USM-489(V)	6625-01-079-9495
AN/URM-170	6625-00-883-3256	SG-1219U	6625-01-188-7441
ANRM-178	6625-00813-9885	AN/URM-200	6625-01-083-9446
AN/URM-181	6625-00-983-6712	SG-1170/U	6625-01-120-3501
ANIRM-182	6625-00-148-9371	ANPRM-34	6625-01-074-5646
	6625-01-062-3599		
ANUSM-24	6625-00-668-9460	AN/USM-488	6625-01-1 87-7847
ANMUSM-()	6625-00-542-0707	AN/USM-459	6625-01-061-8928
	6625-00-543-1356		
AN/USM-32	6625-00-519-1954	ANUSM-488	6625-01-187-7847
AN/USM-33T	N/A	ANUSM-486	6625-01-145-2430
ANUSM-44()	6625-00-669031	SG-1170N	6625-01-120-3501
	6625-00-539-9685		
	6625-00-176-5708		
	6625-00-138-7773		
ANNM47	6625-00-555-2263	SG-1219U	6625-01-188-7441
AN/USMS0 ( )	6625-00-343-8191	ANUSM-488	6625-01-187-7847
	6625-00-649-4978		
	6625-00-5324288		
	6625-00-892-6065		
ANwSM-89()	6625-00-752-7958	ANSM-488	6625-01-187-7847
	6625-00-819-5911		
AN/USM-105A	6625-00-785-6500	ANIUSM488	6625-01-187-7847
AN/USM-17()	6625-00-787-0304	AN/USM-488	6625-01-187-7847
	6625-00-902-3330		
AN/USM-134A	N/A	AN/USM-489	6625-01-079-9495
AN/USM-140	6625-00-987-6603	ANUSM-488	6625-01-187-7847
AN/USM-51	6625-00-892-4401	AN/USM-488	6625-01-187-7847
AN/USM-182()	6625-00-952-3979	ANUSM-488	6625-01-187-7847
	6625-00-133-1169		
AN/USM-184	662 892711	AN/USM88	6625-01-187-7847
AN/USM-205()	6625-00-788-9672	SG-1171U	6625-01-133-6160
	6625-01-007-4796		
AN/USM-207()	6625-00-911-6368	AN/USM-459	6625-01-061-2928
	6625-00-044-3228		
ANNUSM-223	6625-00-999-7465	AN/PSM-65	6625-01-139-2512
AN/USM-254	6625-00-069-5477	ANISM-488	6625-01-187-7847
AN/USM-281( )	6625-00-053-3112	ANSM-488	6625-01 - 87-7847
	6625-00-228-2201		
	6625-00-427-4514		
	6625-00-106-9622		
	6625-00-106-7497		
	6625-00-134-1407		
AN/USM-296	6625-00-1274903	ANUSM-488	6625-01-187-7847 -9
AN/USM-303()	6625-00-933-2406	ANUSM-486	6625-01-1452430
	6625-00-168-0585		
AN/USM-309(V ( )	6625-01-121-6328	ANNUSM-488	6625-01-187-7847
	6625-00-160-0854		
AN/USM-313	6625-00-777-1384	SG-1170M	6625-01-120-3501

Replaced Item	Replaced NSN	Replacement Item	Replacement NSN
AN/USM-366(V) AN/USM451 ANUSM504 CM-77A CP-772( )NU	6625-00-494-2937 662501-0606804 6625-00-679-0399 6625-00-080-7204 6625-00-973-4837 6625-00-973-4837	AN/USM-489(V) AN/PSM45 AN/USM-488 TD-1225(V)2 ANUSM-459	6625-01-079-9495 6625-01-139-2512 6625-01-187-7847 6625-01-121-6934 6625-01-061-8928
CP-1033N FR40/GSM-1 FR-114 FR-205 FR-208 FR-209 FR-210 FR-211 FR-38( )U	6625-00-407-0762 N/A 6625-00-542-1667 6625-00-832-9047 6625-00-327-2349 N/A N/A N/A 6625-00-605-7189 6625-00-810-9051 6625-00-605-7189	AN/USM-459 AN/USM459 AN/USM-459 AN/USM-490 AN/USM-459 AN/USM-490 AN/USM-490 AN/USM-490 AN/USM-459	6625-01-061-8928 6625-01-061-8928 6625-01-061-8928 6625-01-138-3351 6620-01-061-8928 6620-01-138-3351 6625-01-138-3351 662401-138-3351 6620-01-061-8928
IP-1216(P)/GR IP-73(U)	6625-00-424-4370 6625-00-224-5500 6625-00-699-8116 6625-00-660-9930 6625-00-981-9520	AN/USM-489 AN/USM-489(V)	6625-01-079-9495 6625-01-079-9495
ME-26( )	6625-00-544-8691 6625-00-360-2493 6625-00-646-9409 662400-54-8191 6625-00-913-9781	AN/USM-486	6625-01-145-2430
ME-30( )U	6625-00-376-4921 6625-00-643-1670 6625-00-580-5298 6625-00-818-2360 6625-00-643-1670 6625-00-420-9345	AN/USMJ86	6625-01-145-2430
ME-227( )/U ME-262 ME-295/U ME-303A ME-378 / U ME-450/U ME451 OS-8()/U	6625-00-555-2312 6625-00-160-0622 6625-00-739-1192 6625-00-017-8669 6625-00-969-4105 6625-00-197-6383 6625-00-149-6300 6625-00-137-0102 6625-00-643-1740 6625-00-643-1719 6625-00026-9414 6625-00-649-9284 6625-00-7384175 6625-0032-1417	AN/USM-486 AN/USM-486 AN/USM-490 AN/USM-486 AN/USM490 AN/OSM-45 AN/USM-490 AN/USM-488	6625-01-1452430 66201-145-2430 662001-138-3351 66201-145-2430 66201-138-3351 6625-01-139-2512 662-01-138-351 6625-01-187-7847
OS-16/A OS-26 OS-110/U OS-121A OS-123/U OS-132/SPA OS-189A OS-193(P)U OS-215(P)U OS-219(P)U	6625-00-224-5458 6625-00-352-0028 6625-00-948-1701 662S00-071-0787 6625-00-981-0898 6625-00-825-0179 6625-00-437-1833 6625-00-957-0509 6625-00-449-7652 6625-00-459-3391	AN/USM-488 AN/USM-488 AN/USM-488 AN/USM-488 OS-261C AN/USM-488 AN/USM-488 AN/USM-488 AN/USM-488 AN/USM-488	66201-187-7847 6625-01-187-7847 6625-01-187-7847 6625-01-187-7847 6625-01-119-7314 6625-01-1 87-7847 6625-01-187-7847 6625-01-187-7847 6625-01-187-7847 6625-01-187-7847

<i>Replaced Item</i>	<i>Replaced NSN</i>	<i>Replacement Item</i>	<i>Replacement NSN</i>
OS-233(P)/U	6625-00-789-2201	AN/USM-488	6625-01-187-7847
OS-242/U	6625-00-953-7832	AN/USM-488	6625-01-187-7848
OS-261( )U	6625-00-127-0079 6625-01-066-4511 6625-01-101-318	OS-261 C/U	6625-01-119-7314
SG-15()/PCM	6625-00-229-1087 6625-00-649-5194	SG-1171U	6625-01-133-6160
SG-69/PPM-1	6625-00-545-7953	SG-1205	6625-01-137-5369
SG-298( )	6625-00-843-0971 6625-00-997-2471	SG-1171J	6625-01-133-6160
SG-299( )	6625-00-624-3516 6625-00-808-5584	SG-1171J	6625-01-133-6160
SG-321( )/U	6625-00-674-7097 6625-00-880-5791 6625-00-935-6924	SG-1171	6625-01-133-6160
SG-557U	6625-00-914-4127	SG-1219R	6625-01-188-7441
SG-632( )	6625-00-493-3023 6625-00-933-7840	SG-1171/U	6625-01-133-6160
SG-676NU	6625-00-914-9882	SG-1219N	6625-01-188-7441
SG-747/U	662500-118-6736	SG-1171/U	6625-01-133-6160
SG-763-( )/U	6625-00-054-3483 6625-00-165-1261	SG-1171/U	6625-01-133-6160
SG-944J	6625-00-107-8173	AN/URM-206	6625-01-077-8503
SG-969/U	6625-00-400-8228	SG-1170U	6625-01-120-3501
SG-975U	6625-00089-6697	SG-1170N	6625-01-120-3501
TD-1225( ) 1/U	6625-00-498-8946 6625-01-103-2958	TD-1 225A0 2/U	6625-01-121-6934
SG-1038/U	6625-00-411-4558	SG-1 170/U	6625-01-120-3501
SG-1128	6625-00-450-7590	SG-1171AJ	6625-01-133-6160
SG-1174/U	6625-01-075-8479	SG-1219/U	6625-01-188-7441
TS-148J	6625-00-166-1040	ANJ SM-489	6625-01-079-9495
TS-155( )NP	6625-00-192-5085 6625-00-338-3813 5525-00-649-5257	SG-1219/U	6625-01-188-7441
TS-297N	6625-00-498-3677	ANPSM-45	6625-01-139-2512
TS-340N1	6625-00-643-0624	AN JSM-486	6625-01-145-2430
TS-352( )/U	6625-00-242-5023 6625-00-553-0142	ANIPSM-45	6625-01-139-2512
TS-403( )/U	6625-00-650-6363 6625-00-620-4371	SG-1219/U	6625-01-188-7441
TS-497( )/U	6625-00-669-0258 6625-00-643-3508 6625-00-812-2898 6625-00-684-5203	SG-1170/U	6625-01-120-3501
TS-505( )/U	6625-00-243-0562 6625-00-504-2620 6625-00-553-0841 6625-00-581-8347 6625-00-878-0220	ANM SM-486	6625-01-145-2430
TS-51 OA/U	6625-00-973-6546	SG-1170/U	6625-01-120-3501
TS-592A/PM-15	6625-00-519-7600	SG-1205M(1/U	6625-01-137-5369
TS-621( )	6625-00-649-2036 6625-00-221-9607 6625-00-334-8413	SG-1219/U	6625-01-188-7441 t

<i>Replaced Item</i>	<i>Replaced NSN</i>	<i>Replacement Item</i>	<i>Replacement NSN</i>
TS-742NUPM	6625-00-521-1286	AN/USM-489V)	6625-01-079-9495
TS-1337/UPM	6625-00-752-7531	AN/USM-489	6625-01-079-9495
TS-18300/N	6625-00-845-7183	AN/USM-490	6625-01-138-3351
TS-1916/UPM-84A	6625-00-937-5258	AN/USM-489()	6625-01-079-9495
TS-2333( )N	6625-00-068-7175	AN/USM-490	6625-01-138-3351
TS-2968/U	6625-00-459-8570	AN/USM-490	6625-01-138-3351
TS-160001	6625-00-542-1667	AN/USM-459	6625-01-061-8928
TS-3066(V)M/U	6625-00-160-0535	AN/USM-490	6625-01-138-3351
TS-3066M2/U	6625-00-689-7685	AN/USM-490	6625-01-138-3351
TS-3066(V)3/U	6625--01012-1071	ANIUSM-490	6625-01-138-3351
TS-3237/U	6625-00-463-9912	ANIUSM-489M	6625-01-079-9495
CE-21(CUSHMAN)	6625-00-146-7484	ANMSM490	6625-01-138-3351
CE-24(CUSHMAN)	N/A	ANNMSM-490	6625-01-138-3351
CE-70 (CUSHMAN)	6625-01-105-2552	ANNUSM-490	6625-01-138-3351
RM15 TEK)	6625-00-553-4699	AN/SM-488	6625-01-187-7847
T922 (TEK)	6625-01-061-4242	AN SM-488	6625-01-187-7847
111 (SIMPSON)	N/A	ANSM-486	6625-01-145-2430
120B (HP)	6625-00-869-2402	ANA SM-488	6625-01-187-7847
141A (HP)	6625-00-064-0187	ANMUSM-488	6625-01-187-7847
160 (SIMPSON)	6625-00-935-1333	AN/PSM-45	6625-01-139-2512
1707A (HP)	6625-00-472-3264	AN/USM-488	6625-01-187-7847
200 (KEITHLEY)	6625-00-892-1496	AN/PSM-45	6625-01-139-2512
213 (TEK)	6625-01-0304791	AN./USM-488	6625-01-187-7847
230 (SIMPSON)	6625-00-242-7016	AN/PSM-45	6625-01-139-2512
320A (HP)	6625-00-958-4473	AN/USM-490	6625-01-138-3351
310A (HP)	6625-00-068-7175	AN/USM-490	6625-01-138-3351
312A (HP)	6625-00-089-7685	AN/USM-490	6625-01-138-3351
312B (HP)	6625-00-012-1071	AN/USM-490	6625-01-138-3351
422-125 (TEK)	6625-00-087-1739	AN/USM-488	6625-01-187-7847
453A TEK)	6625-00-765-9181	AN/USM-488	6625-01-187-7847
51 AD (TEK)	6625-00-356-0278	AN/USM-488	6625-01-187-7847
515 (TEK)	6625-00-585-5665	ANASM-488	6625-01-187-7847
522B (HP)	6625-00-526-5230	AN USM-459	6625-01-061-8928
524B (HP)	6625-00-539-8868	AN/USM-459	6625-01-061-8928
524C (HP)	6625-00-793-1348	ANUSM-459	6625-01-061-8928
524d (HP)	6625-00-776-0428	ANINSM-459	6625-01-061-8928
535 TEK)	6625-00-539-8539	AN/USM-458	6625-01-187-7847
535A TEK)	6625-00-799-7956	AN/USM-488	6625-01-187-7847
545A (TEK)	6625-01-047-7309	ANSM-488	6625-01-187-7847
564 WETSON)	6625-00-781-0358	AN/PSM-45	6625-01-139-2512
585A (TEK)	6625-00-797-0250	ANAJSM-488	6625-01-187-7847
608C (HP)	6625-00-538-9879	SG-1170U	6625-01-120-3501
608F (HP)	6625-0040-8228	SG-1170NI	6625-01-120-3501
618B (HP)	6625-00-816-3079	SG-1219U	6625-01-188-7441
666RW669RL (TRIPLT)	6625-00-975-4482	ANPFSM-45	6625-01-139-2512
779 (WETSON)	6625-00-373-3437	ANIPSM-45	6625-01-139-2512
785 ONETSON)	6625-00-270-3776	AN/PSM-45	6625-01-139-2512
850 (WETSON)	6625-00-915-4481	AN/PSM-45	6625-01-139-2512
3439A (HP)	6625-00-352-0995	AN/USM-486	6625-01-145-2430
3443A (HP)	6625-00-482-7207	AN/USM-486	6625-01-145-2430
3444A (HP)	6625-00-071-8985	AN/USM-486	6625-01-145-2430
3445A (HP)	6625-00-082-1434	AN/USM-486	6625-01-145-2430
3465A (HP)	6625-01-039-7922	AN/USM-486	6625-01-145-2430
3469B (HP)	6625-00-763-4080	AN/USM-486	6625-01-145-2430

<i>Replaced Item</i>	<i>Replaced NSN</i>	<i>Replacement Item</i>	<i>Replacement NSN</i>
3490A-06C (HP)	6625-00-557-8305	AN/USM-486	6625-01-145-2430
3581 (HP)	N/A	ANSM-490	6625-01-138-3351
3581A (HP)	6625-01-012-7669	ANNISM-490	6625-01-138-3351
3581C (HP)	NA	ANSM-490	6625-01-138-3351
3590A (HP)	6625-00-401-5353	AN/USM-490	6625-01-138-3351
5223L (HP)	6625-00M07-0762	AN/USM-459	6625-01-061-8928
5233L (HP)	6625-00-071-1664	AN/USM-459	6625-01-061-8928
5243L (HP)	6625-00-994-9581	AN/USM-459	6625-01-061-8928
5245L (HP)	6625-00-973837	AN/USM-459	6625-01-061-8928
5246L (HP)	6625-00-186-6183	ANIUSM-459	6625-01-061-8928
5300A5301A (HP)	6625-00-024-7066	ANSM459	6625-01-061-8928
5340A (HP)	6625-00-498-8946	TD-1225A2/U	6625-01-121-6934
7370 (BECKMAN)	6620072-9498	TD-225A()2/u	6625-01-121-6934
7403N EK)	6625-00-270-8448	AN/USM-488	6625-01-187847
7603 CTE	6625-00-261-5127	AN/USM-488	6625-01-1877847
8000A (JF)	6625-00-322-8715	AN/USM-486	66201-145-2430
8000A-01 (JF)	6625-00-210-7584	AN/USM-486	6625-01-145-2430
8100A (JF)	6625-00-433234	AN SM-486	6625-01-145-2430
8100A-01 (JF)	6625-00-480-5702	ANSM-486	6625-01-145-2430

**APPENDIX G**  
**ALPHABETICAL INDEX OF CONTENTS**

**Section II AVIONICS SYSTEMS AND COMPONENTS**

<i>Type No.</i>	<i>Nomenclature</i>	<i>Page</i>
AH-I( )SCAS	Stability and Control Augmentation System.....	II-D-1
AM-3209( )/ASN	Servoamplifier .....	II-B-1
AM-7189/ARC	NOE VHF-FM Amplifier .....	II-A-1
ANAS-32	Airborne Laser Tracker .....	II-G-1
AN/AJA-5	Aircraft Propeller Synocrophaser Group .....	II-D-2
AN/AKT-18( )	Radar Data Transmitting Set .....	II-G-3
AN/ALM-153	Electronics Shop .....	II-F-1
AN/ALM-154	Flight Line Test Set .....	II-F-2
AN/ALQ-133	Countermeasures Receiving Set .....	II-F-3
ANALQ-136A(V)1	Countermeasures Set .....	II-F-4
ANIALQ-144A(V)	Countermeasures Set .....	II-F-5
ANIALQ-147A(V)	Countermeasures Set .....	II-F-6
AN/ALQ-156(V)()	Countermeasures Set .....	II-F-7
AN/ALQ-162(V)2	Countermeasures Set .....	II-F-9
ANALR-46(V)	Countermeasures Receiving Set .....	II-F-10
AN/APN-171AM1	Radar Altimeter Set.....	II-B-2
AN/APN-209( )M	Radar Altimeter Set.....	II-B-4
AN/APN-215(V)1	Airborne Weather Radar Set.....	II-B-6
AN/APR-39( )	Radar Signal Detecting Set.....	II-F-II
ANIAPR-39A(V)I	Radar Signal Detecting Set.....	II-F-13
ANIAPR44(V)3	Radar Warning System .....	II-F-14
AN/APS-94D	Radar Surveillance Set .....	II-G- 5
AN/APS-94E	Radar Surveillance Set.....	II-G -7
AN/APS-94F	Radar surveillance Set.....	II-G -9
AN/APX-72	Transponder Set . .....	II-C- 1
AN/APX-100	Transponder Set .....	I-C-3
AN/ARC-51BX	Radio Set.....	II-A-2
AN/ARC-54	Radio Set.....	II-A-3
AN/ARC-73A	Radio .....	IIA-5
AN/ARC-102	Radio Set .....	II-A-6
ANARC-1 14()	Radio Set .....	II-A-7
AN/ARC-115()	Radio Set.....	II-A-
AN/ARC-116	Radio Set .....	II-A-1
AN/ARC-131	Radio Set.....	II-A-12
AN/ARC-134( )	Radio Set .....	II-A-14
AN/ARC-149(V)	Radio Repeater Set.....	II-A-15
AN/ARC-164	Radio Set .....	II-A-16
ANIARC-16412	Radio Set.....	II-A-18
AN/ARC-186(V)	Radio Set.....	II -A-19
AN/ARC-199	Radio Set.....	II-A-21
AN/ARC-201(V)	Radio Set .....	II-A-22
ANMARC-220(V)1 1/2	HF Radio .....	II-A-23
AN/ARM-164	Maintenance Facility.....	II-F-15
AN/ARN-82()	Radio Receiving Set.....	II-B-7
ANIARN-83	Direction Finder Set .....	II-B-9
ANARN-89()	Direction Finder Set .....	II-B-10
AN/ARN-103()	TACAN Navigation Set .....	II-B-12
ANARN-118	TACAN Navigation Set.....	II-B-13
AN/ARN-123(V)()	Radio Receiving Set .....	II-B-14
AN/ARN-124	DME Set .....	II-B-16

<i>Type No.</i>	<i>Nomenclature</i> .....	<i>Page</i>
AN/ARN-148	Omega Navigational Set .....	II-B-17
AN/ARS-6	Personnel Locator System .....	II-C-4
AN/ASC-15()	Communications Central .....	II-H-1
AN/ASM-146/147	Avionics Repair/Supply Shops .....	II-A-24
ANASM-189( )	Avionics Maintenance Shop .....	II-A-25
ANIASM-190()	Avionics Maintenance Shop .....	II-A-26
AN/ASN-33	Navigational Computer Set .....	II-B-19
AN/ASN-43()	Gyro Magnetic Compass Set .....	II-B-20
AN/ASN-76	Attitude-Heading Reference Set.....	II-B-22
ANASN-86	Inertial Navigation Set .....	II-B-23
ANASN-128	Doppler Navigation Set .....	II-B-24
ANASN-132	Integrated Inertial Navigation Set .....	II-B-25
AN/ASN-137	Doppler Navigation Set . .....	II-B-27
ANASN-142	Heading Reference System .....	II-B-28
AN/ASN-143	Heading Reference System .....	II-B-29
AN/AVR-2	Laser Detecting Set.....	II-F-16
AN/AVS-6(V)1	Aviators Night Vision Imaging System .....	II-G-11
AN/AYA-10	Data Annotation System.....	II-E-1
AN/PRC-90	Radio Set .....	II-C-5
AN/PRC-90-2	Radio Set .....	II-C-6
AN/PRC-112	Radio Set .....	II-C-7
AN/PVS-5( )	Night Vision Goggles.....	II-G-12
AN/FSC-61B	Flight Coordination Center .....	II-I-1
ANfTSM-133	Battery Servicing Shop .....	II-A-27
AN/TSQ-97	Air Traffic Control Facility .....	II-1-3
ANTSW-7A	Air Traffic Control Center .....	II-I-5
AN/USC-58(V)1	Communications Central .....	II-H-2
AN/USQ-61A	Digital Data Set .....	II-G-13
AS-1304ARN	Antenna .....	II-B-30
AS-1703/AR	Antenna .....	II-A-28
AS-1869/ARN	Antenna .....	II-A-29
AS-1922/ARC	Antenna .....	II-B-31
AS-2285/ARC	Antenna .....	II-A-30
AS-2485/ARC	Antenna .....	II-A-31
AS-2486/ARC	Antenna .....	II-B-32
AS-2487/ARC	Antenna .....	11-A-32
AS-2670/ARC	Antenna .....	II-B-33
AS-3188/ARN	Antenna .....	II-B-34
AS-3204/ARC	Antenna .....	II-.-33
AS-3205/ARC	Antenna .....	II-B-35
AT-256/ARC	Antenna .....	II-A-34
AT-326/ARN	Antenna .....	II-B-3
AT-450/ARC	Antenna .....	II-A-35
AT-64AIARN	Antenna .....	11-B-37
AT-740/A	Antenna .....	II-C-8
AT-741/A	Antenna .....	II-A-36
C-1611( )/AIC	Communication Control.....	II-A-37
C-6347/ASN-43	Compass Control .....	II-B-38
C-6533/ARC	Communication Control .....	II-A-38
C-81 57/ARC	Control-indicator .....	II-A-39
C-10414(V)3/ARC	Communication Control .....	II-A-40
CM-482/ARC-186	Signal Comparators .....	II-B-39
CN-811( )/ASN	Gyro .....	II-D-3
CN-1314/A	Gyro .....	II-D-4



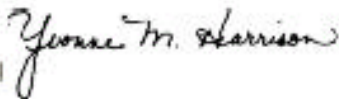
<i>Type No.</i>	<i>Nomenclature</i> .....	<i>Page</i>
CN-1497/A	Gyro.....	II-D-5
CP-1516hASQ	Automatic Target Handoff System .....	II-A-41
CU-942( )/ARC	Antenna Coupler .....	II-A-42
CU-991/AR	Antenna Coupler .....	II-A-43
CU-1658A/ARC	Antenna Coupler .....	II-A-44
CU-2206/ARC	Antenna Coupler .....	II-A-45
DT-1 73/ASN	Magnetic Azimuth Detector .....	II-B-40
DT-376/ASN	Azimuth Detector.....	II -B-41
ES-38( )	Photographic Dark Room.....	II-A-46
GM-6(V)1	Guard Mount .....	II-G-14
ID-250( )/ARN	Radio Magnetic Indicator.....	II-B42
ID-998( )/ASN	Radio Magnetic Indicator.....	II-B43
ID-1351( )/A	Heading-Bearing Indicator.....	II-B44
ID-2013/A	Horizontal Situation Indicator .....	II-B-45
ID-2104/A	Attitude Direction Indicator .....	II-B46
ID-2105/A	Radio Magnetic Indicator.....	II-B47
ID-2277NA	Vertical Situation Indicator.....	II-B-48
ID-2278AA	Horizontal Situation Indicator .....	II-B49
J-2	Magnetic Compass Set .....	II-B-50
KS-61A	Photographic Surveillance System.....	II-F-17
KS-113A	Photographic Surveillance System.....	II-F-18
MC-1	Rate Switching Gyro .....	II-D-6
MD-1	Vertical Gyro Control .....	II-D-7
MD-736/A	Discrete Signal Discriminator .....	II-A-47
MD-1047/A	Audio Threshold System .....	II-A-48
MD-1101/A	Audio Threshold System .....	II-A-49
MK-896A.AIC	Headset-Microphone Kit.....	II-A-50
MX-1646/AIC	Headset-Microphone Adapter .....	II-A-51
OK-279/A	Voltage Control Group.....	II-E-3
PP-6376/A	Static Inverter .....	II-J-1
PP-7274( )/A	Static Inverter .....	II--J-2
PP-7798/A	Battery Charger .....	II-J-3
PU-542( )/A	Motor Generator .....	II-J-4
PU-543( )/A	Motor Generator .....	II--J-5
PU-544( )/A	Motor Generator .....	II-J--6
PU-545/A	Motor Generator.....	II-J--7
PU-750/A	Motor Generator.....	II-J-8
QUICK FIX ( )	Countermeasures System.....	II-F-19
QUICK LOOK II	ELINT System .....	II-F-20
R-1041( )/ARN	Radio Receiver.....	II-B-51
R-1963/ARN	Radio Receiver.....	II-B-52
TRU-2NA	Gym .....	II-D-8
TS-3895/UV	Test Set, Electronics System .....	II-F-21
TS-4348/UV	Test Set .....	II-F-22
UH-600 AFCS	Automatic Flight Control System .....	II-H-4
UH-60 CIS	Command Instrument System .....	II-H-5
339D-1	Distance Indicator .....	II-B-53

## Section III AIRCRAFT

<i>Type No.</i>	<i>Nomenclature</i> .....	<i>Page</i>
AH-1	Cobra .....	III-1
AH-64A	Apache .....	III-6
AH-64D	Longbow .....	III-11
CH-47D	Chinook .....	III- 15
OH-58( )	Kiowa .....	III-19
OH-58D (AHIP)	Kiowa Warrior .....	III-23
OV-1( )RV-1D	Mohawk .....	III-27
RC-12( )	Huron.....	III-40
TH-67	Creek.....	III-44
UH-1 ( )	Iroquois .....	III-46
UH-60ANEH-60A	Blackhawk .....	III-52
UV-18A	Twin Otter .....	III-61
U21A	UTE .....	III-64

By Order of the Secretary of the Army:

DENNIS J. REIMER  
General, United States Army  
Chief of Staff

Official 

YVONNE M. HARRISON  
Administrative Assistant to the  
Secretary of the Army  
01066

DISTRUBUTION:

To be distributed in accordance with DS Form 12-34-E, block 0330 requirement for TB 43-0123.

RECOMMENDED CHANGES TO EQUIPMENT TECHNICAL PUBLICATIONS



THEN... JOT DOWN THE DOPE ABOUT IT ON THIS FORM, CAREFULLY TEAR IT OUT, FOLD IT AND DROP IT IN THE MAIL!

**SOMETHING WRONG WITH THIS PUBLICATION?**

FROM: (PRINT YOUR UNIT'S COMPLETE ADDRESS)

DATE SENT

PUBLICATION NUMBER

PUBLICATION DATE

PUBLICATION TITLE

BE EXACT... PIN-POINT WHERE IT IS

IN THIS SPACE TELL WHAT IS WRONG AND WHAT SHOULD BE DONE ABOUT IT:

PAGE NO.	PARA-GRAPH	FIGURE NO.	TABLE NO.
----------	------------	------------	-----------

TEAR ALONG PERFORATED LINE

PRINTED NAME, GRADE OR TITLE, AND TELEPHONE NUMBER

SIGN HERE:

